

**SONY**

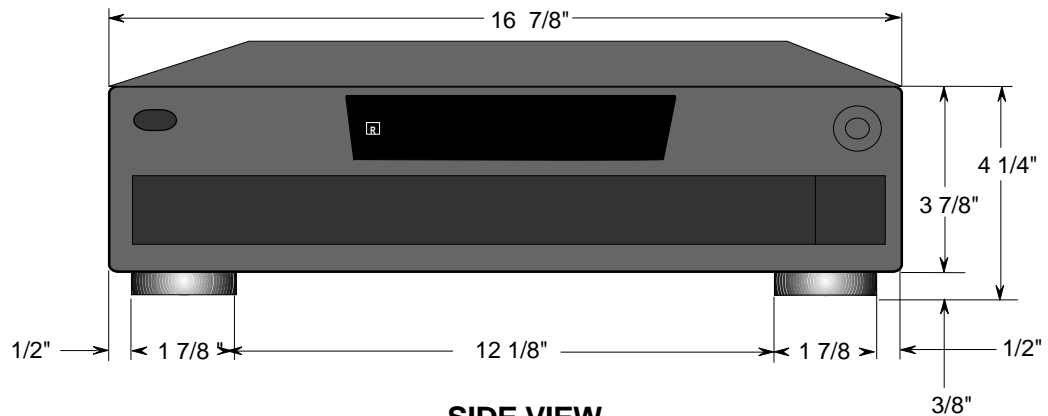
**CDP-  
CE275/375/575**

DESCRIPTION: 5 CD  
DIMENSIONS Changer  
(WHD): 16 7/8" X 4 1/4" X 16"  
WEIGHT: 11 lbs

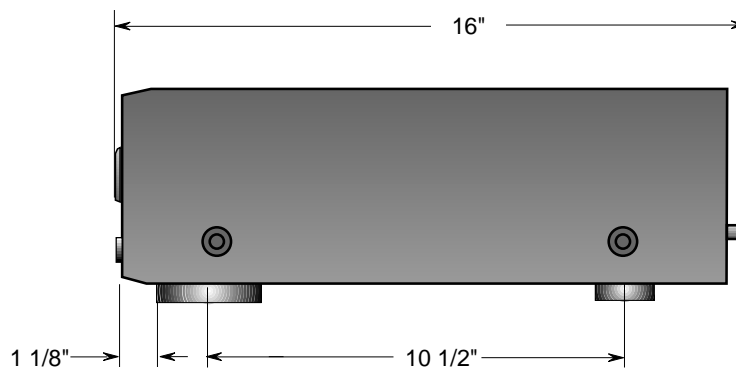
POWER  
REQUIREMENTS 120VAC  
60Hz  
POWER  
CONSUMPTION: 11 Watt:  
(max)

**USE AV RECEIVER TO CONTROL**

**FRONT VIEW**



**SIDE VIEW**



**BACK VIEW**



**NOTE :**

WHERE THERE ARE CLOSE TOLERANCES INVOLVED IN CABINET BUILDING OR APPLICATIONS WHICH REQUIRE A GREAT DEGREE OF PRECISION WE RECOMMEND THAT THE PRODUCT ITSELF BE USED TO MAKE THE ACTUAL MEASUREMENTS. SONY WILL NOT BE RESPONSIBLE FOR INACCURACIES IN THE DESIGN OR MANUFACTURE OF ENCLOSURES .