

Installation

SONY®

Precautions

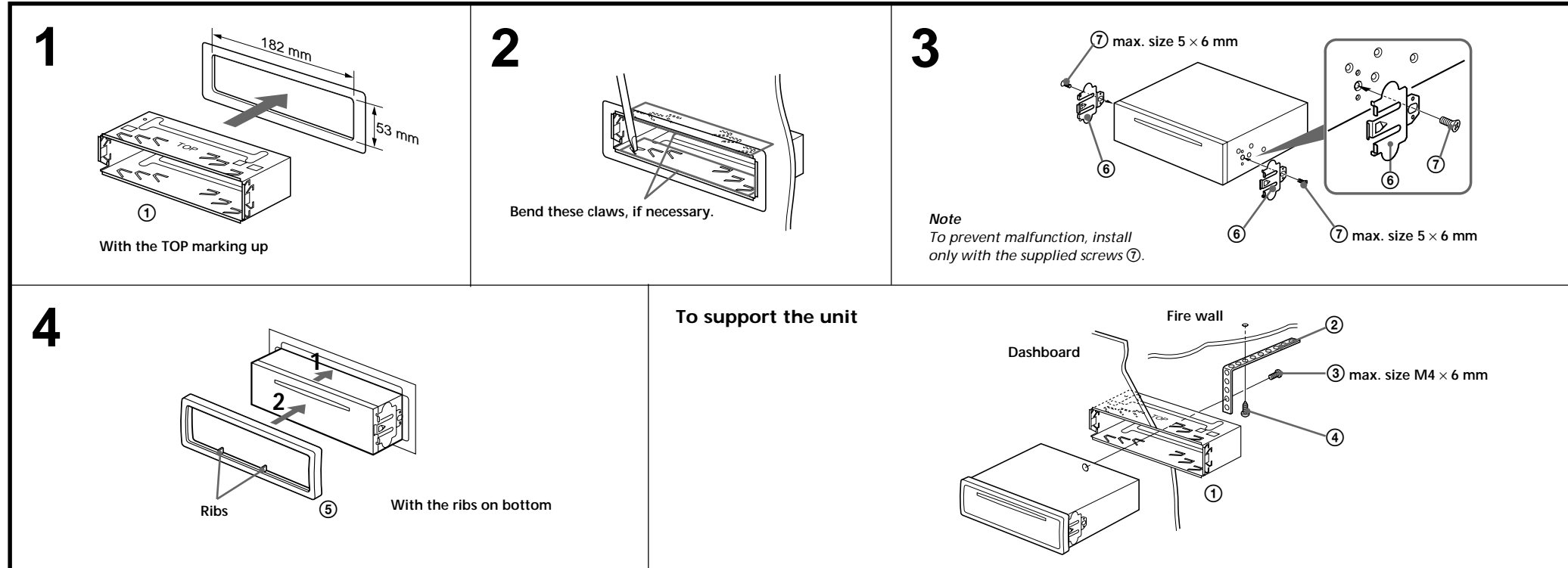
- Do not tamper with the four holes on the upper surface of the unit. They are for tuner adjustments to be done only by service technicians.
- Choose the installation location carefully so that the unit will not hamper the driver during driving.
- Avoid installing the unit where it would be subject to high temperatures, such as from direct sunlight or hot air from the heater, or where it would be subject to dust, dirt or excessive vibration.
- Use only the supplied mounting hardware for a safe and secure installation.

Mounting angle adjustment

Adjust the mounting angle to less than 60°.

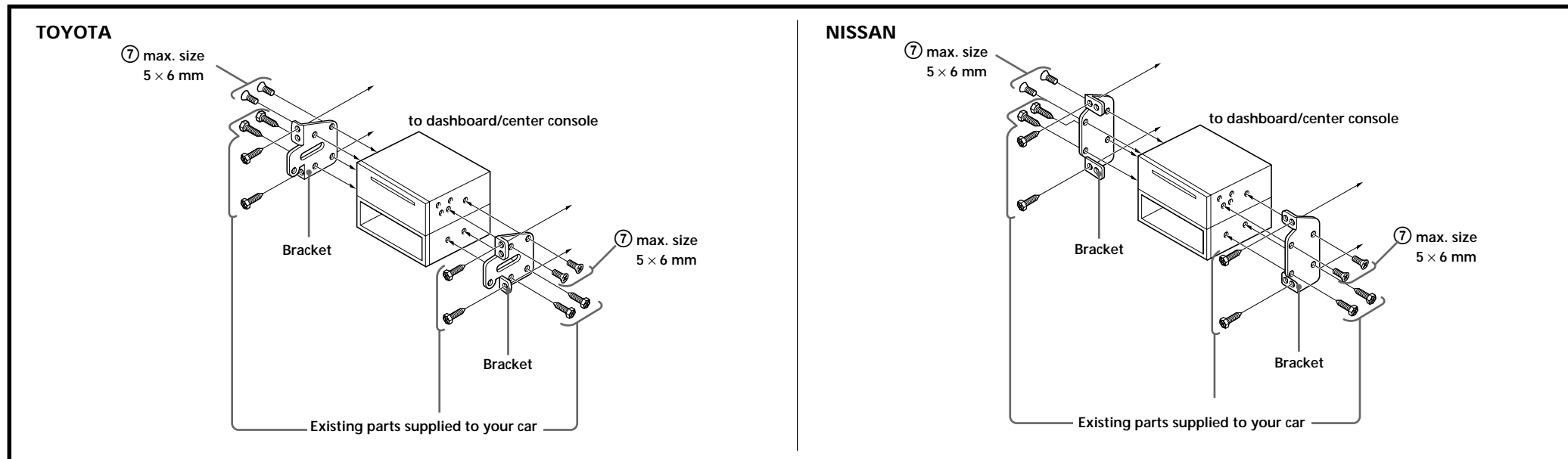
Mounting example

Installation in the dashboard



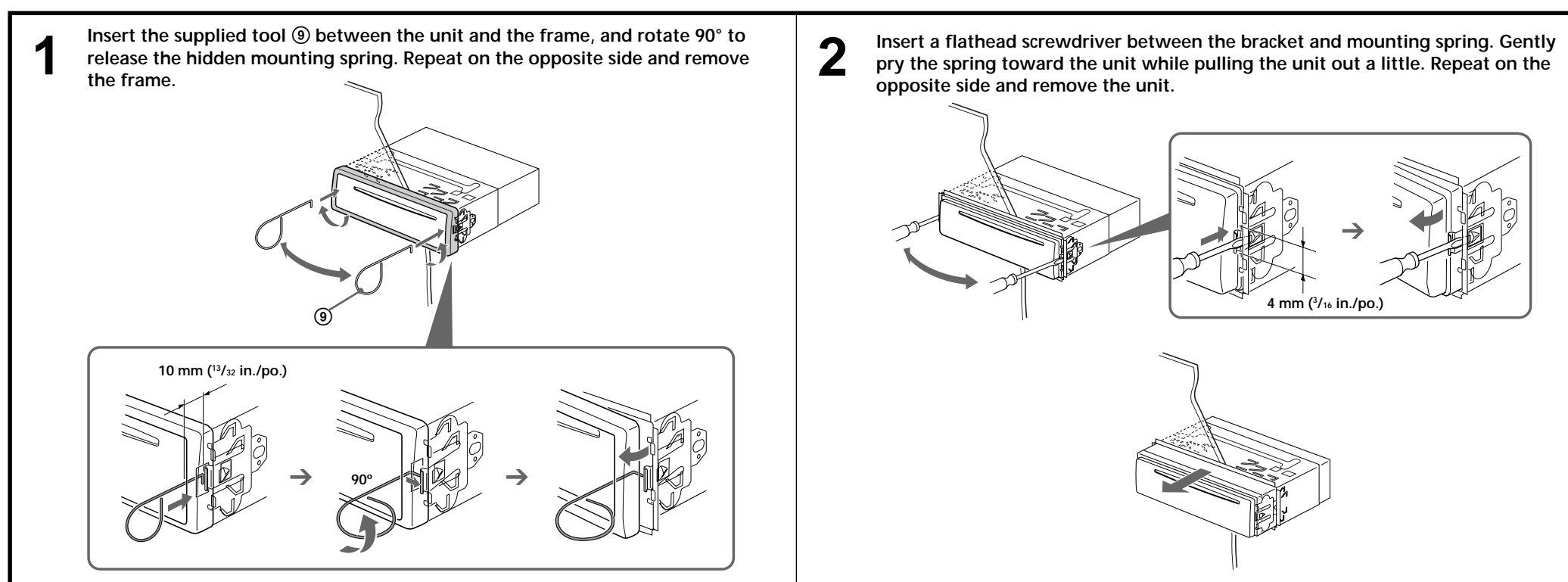
Mounting the unit in a Japanese car

You may not be able to install this unit in some makes of Japanese cars. In such a case, consult your Sony dealer.



Note
To prevent malfunction, install only with the supplied screws ⑦.

Removing the unit



FM/AM Compact Disc Player

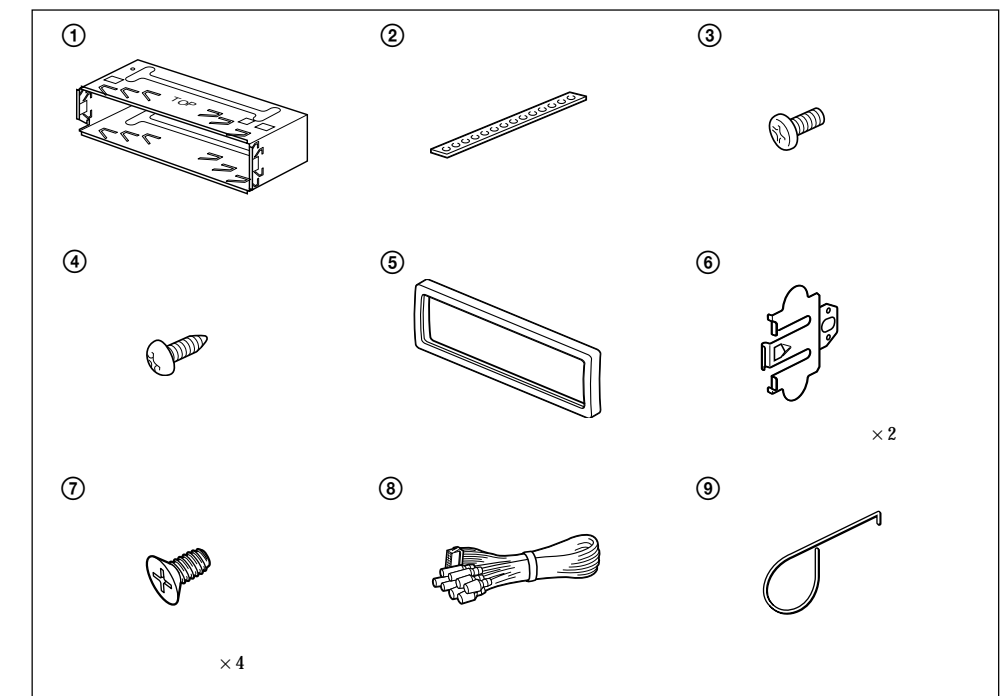
Installation/Connections

CDX-1150

Sony Corporation © 1999 Printed in Japan

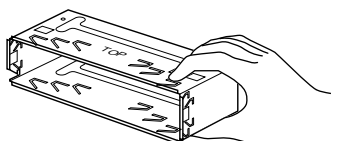
Parts for Installation and Connections

The numbers in the list are keyed to those in the instructions.



Caution

Cautionary notice for handling the bracket ①.
Handle the bracket carefully to avoid injuring your fingers.



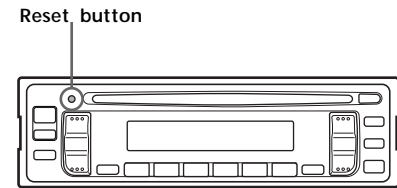
Connections

Caution

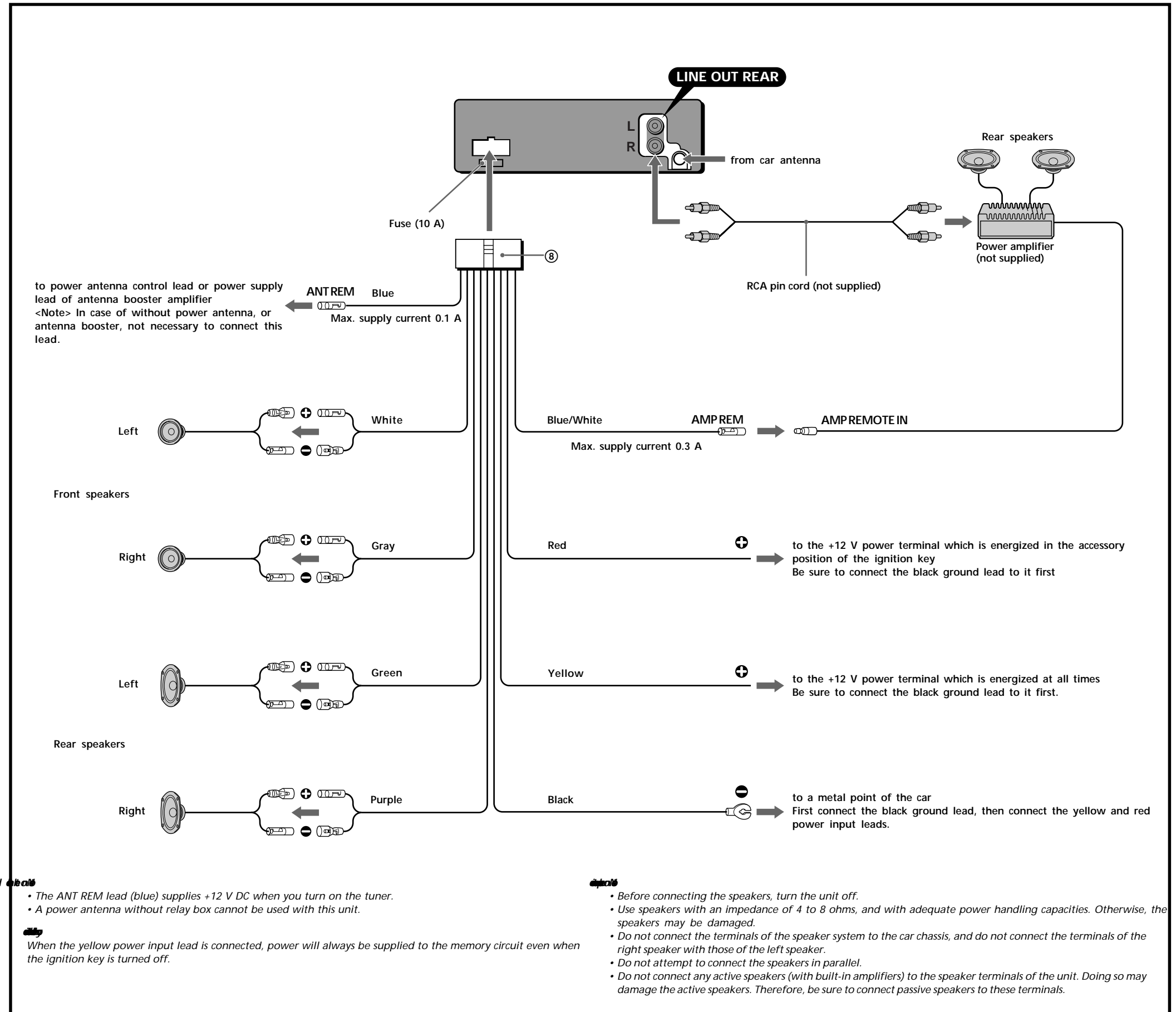
- This unit is designed for negative ground 12 V DC operation only.
- Before making connections, disconnect the ground terminal of the car battery to avoid short circuits.
- Connect the yellow and red power input leads only after all other leads have been connected.
- Be sure to connect the red power input lead to the positive 12 V power terminal which is energized when the ignition key is in the accessory position.
- Run all ground wires to a common ground point.
- Connect the yellow cord to a free car circuit rated higher than the unit's fuse rating.
- If you connect this unit in series with other stereo components, the car circuit they are connected to must be rated higher than the sum of the individual component's fuse rating.
- If there are no car circuits rated as high as the unit's fuse rating, connect the unit directly to the battery.
- If no car circuits are available for connecting this unit, connect the unit to a car circuit rated higher than the unit's fuse rating in such a way that if the unit blows its fuse, no other circuits will be cut off.
- Connecting this unit may cause some car battery wear when your car has no ACC (accessory) position on the ignition key switch. In this case, please consult your nearest Sony dealer.
- The use of optical instruments with this product will increase eye hazard.

Reset button

When the installation and connections are over, be sure to press the reset button with a ball-point pen etc.



Connection example



Connection diagram

