

CDX-A15RF

Operating Instructions page 2

Before operating the unit, please read this manual thoroughly and retain it for future reference.

Mode d'emploi page 18

Avant la mise en service de cet appareil, prière de lire attentivement ce mode d'emploi que l'on conservera pour toute référence ultérieure.

Bedienungsanleitung Seite 34

Lesen Sie diese Anleitung sorgfältig durch und bewahren Sie sie zum späteren Nachschlagen gut auf.

Manual de instrucciones página 50

Antes de emplear la unidad, lee detenidamente este manual, y consérvelo para futura referencia.

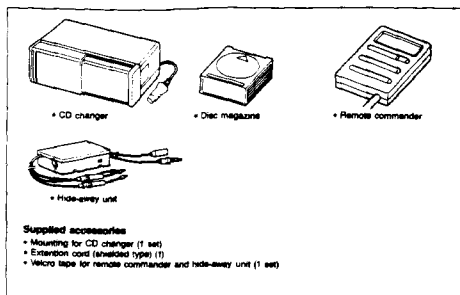
使用说明书 第 66 页

使用本机以前请详读本说明书, 并妥善保管本说明书以备将来参考之用。

Table of Contents

Components	2
Features	3
Precautions	3
Installation	4
Connections	8
Fuse replacement	9
Disc playing	10
Location and function of controls (remote commander)	14
Locating the desired disc of selection (AMS function)	15
Specifications	16
Troubleshooting guide	17

Components



Features

This unit converts the audio signals from a compact disc player into RF signals and you can receive them with your FM tuner (88.3 MHz or 98.7 MHz), so that you can enjoy disc play with your car stereo or car radio even if it has no input connector for a compact disc player.

- Mobile CD changer automatically changes the discs in the disc magazine and enables you to play the desired selections of the 10 discs.
- With the remote commander, you can control the CD changer installed in a trunk room.
- The AMS* function allows you to select and play the desired selection easily.
- Compact and space-saving for either vertical or horizontal installation in the car.
- High quality sound obtained with the 4th digital filter.

* Automatic Music Sensor

Precautions

- This unit is designed for negative ground 12V DC operation only.
- Before operating the unit for the first time or after replacing the car battery, press the RESET button on the hide-away unit with a pencil or similar objects, then start operating the unit.
- If the error indicator flickers in the display window of the remote commander, see "Troubleshooting Guide".
- If no power is being supplied to the unit, check the connections first. If everything is in order, check the fuse.
- This unit converts the audio signals from a compact disc player into RF signals and you can receive them with your FM tuner (88.3 MHz or 98.7 MHz). The unit cannot be used if your car stereo or car radio has no FM band.

If you have any questions or problems concerning your unit that is not covered in this manual, please consult your nearest Sony dealer.

Notes on Installation

- Avoid installing the unit in a place:
 - subject to temperatures exceeding 55°C (131°F) (such as in a car parked in direct sunlight)
 - subject to direct sunlight
 - near heat sources (such as heaters)
 - exposed to rain or moisture
 - exposed to excessive dust or dirt
 - subject to excessive vibration

On moisture condensation

On a rainy day or in a very damp area, moisture may condense on the lenses inside the unit. Should this occur, the unit will not operate. In this case, remove the disc and wait for about an hour until the moisture evaporates.

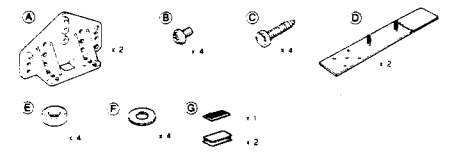
CD changer

- Choose the mounting location carefully, observing the following:
 - The fuel tank should not be damaged by the tapping screws.
 - There should be no wire harnesses nor pipelines under the place where you are going to install the unit.
 - The spare tire, tools or other equipment in or under the trunk should not be interfered with nor damaged by the screws or the unit itself.
- Be sure to use only the supplied mounting hardware for a safe and secure installation.

Remote commander

- Choose the mounting location carefully so that the unit will not:
- interfere with normal driving functions.
 - be exposed to direct sunlight or hot air from the heater.

Supplied Mounting Hardware

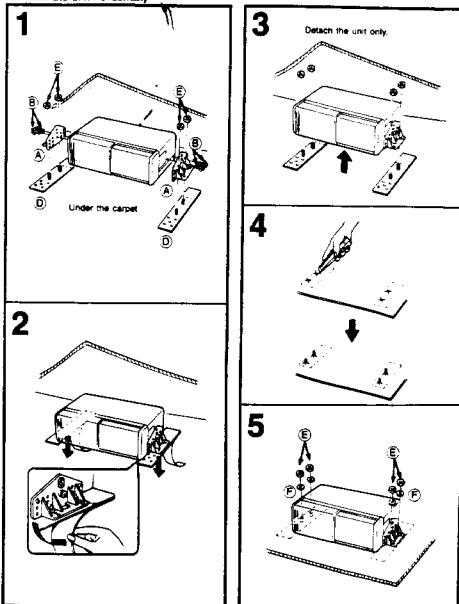


The alphabets in the list above are keyed to those in the instructions.

4

Installation of the Unit

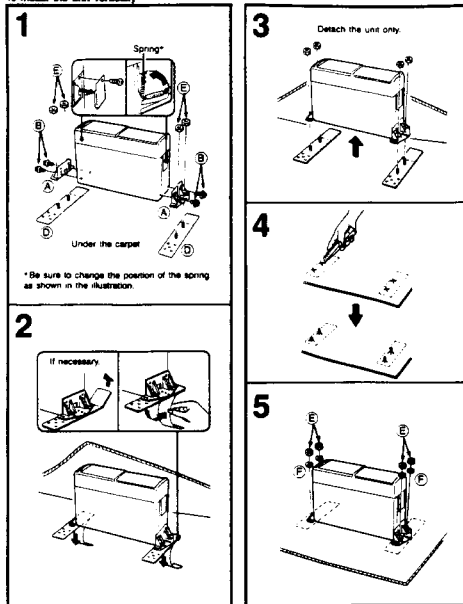
To install the unit horizontally



5

Installation

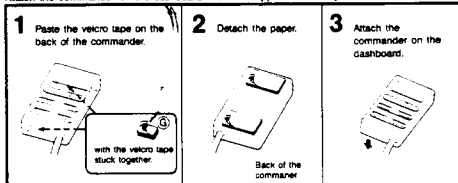
To install the unit vertically



6

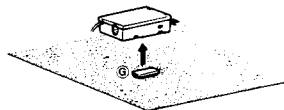
Installation of the Remote Commander

Attach the commander on the dashboard with the supplied velcro tape.



Installation of the Hide-away Unit

Attach the unit on the carpet with the supplied velcro tape.



7

Caution

- Before making connections, disconnect the ground terminal of the car battery to avoid short circuits.
- Connect the yellow and red power input leads only after all other leads have been connected.

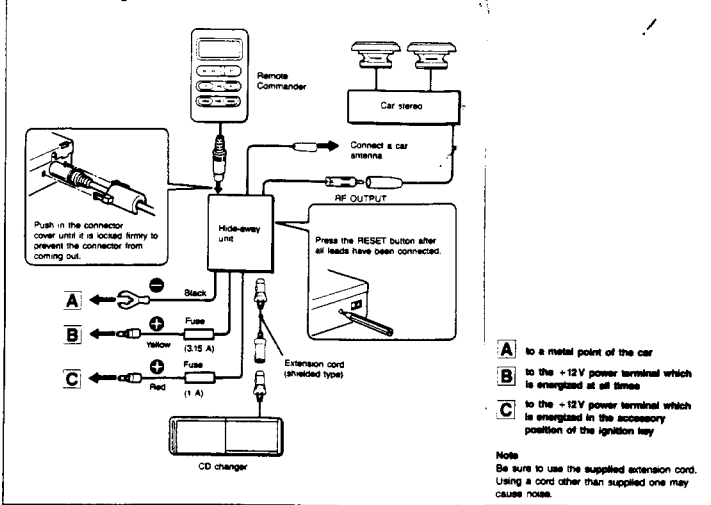
- Be sure to connect the red power input lead to the positive 12 V power terminal which is energized when the ignition key is in the accessory position.
- Run all ground wires to a common ground point.

If the fuse blows, check the power connection and replace the fuse. If the fuse blows again after replacement, there may be an internal malfunction. In this case, consult your nearest Sony dealer.

Warning

Use the specified ampere fuse for each lead. Use of a higher ampere fuse may cause serious damage.

Connection Diagram



8

Disc Playing

A dirty or defective disc causes sound drop-outs in playing. To enjoy optimum sound, handle the disc as follows.

Handle the disc by its edge, and to keep the disc clean, do not touch the surface without label.

Do not stick paper or tape on the labeled surface.

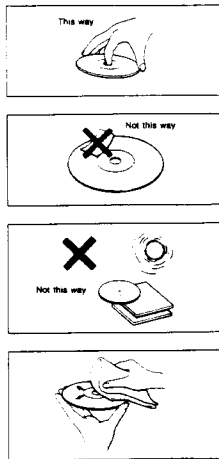
Do not expose the disc to direct sunlight or heat sources such as hot air ducts, or leave it in a car parked in the direct sunlight where there can be a considerable rise in the temperature.

Before playing, clean the disc with an optional cleaning cloth. Wipe the disc in the direction of the arrows.

Do not use solvents such as benzene, thinner, commercially available cleaners or abrasive spray intended for analog discs.

Notes on Disc Magazine:

- Do not leave the magazine in high-temperature, high-humidity locations, such as on a car dashboard or at the rear window where the magazine will be subjected to direct sunlight.
- Do not insert more than one disc into one slot, otherwise the player and the discs will be damaged.

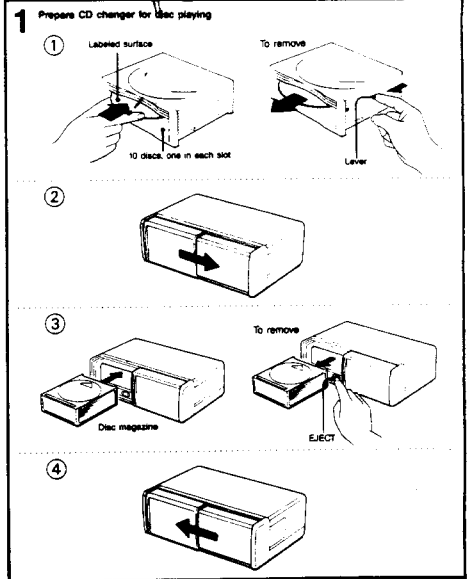


• Do not drop the magazine or subject it to violent shock.

10

To Start Play

Before operating the unit for the first time or after replacing the battery, press the RESET button on the hide-away unit with a pointed object.



11

- 2 Turn on the tuner of your car stereo and select the FM band. Tune in 68.3 MHz. For details on the operation of your car stereo or car radio, refer to its instruction manual.
- 3 Press **FM** on the remote commander. Adjust the volume with your car stereo or car radio.



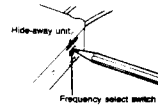
Use the CD changer with the door closed. Otherwise, foreign matter may enter the unit, and contaminate the lens in the player.

To play an 8 cm CD
Use the Sony CSA-8 adaptor (not supplied).
Playing an 8 cm CD without the adaptor may damage the CD changer.

Other Operations

To stop the disc play	Press OFF. To resume the disc play, press FM . Before you stop the disc play Turn down the volume of your car stereo or car radio, as you will hear a noise when you stop the disc play.
To stop for a moment	Press FM . FM appears in the display window. To resume, press FM again.
To stop the disc play and listen to the radio	1 Press OFF. 2 Tune in the desired station. Be sure to press the OFF button when you listen to the radio. Otherwise, you cannot tune in the desired station clearly.
To stop the disc play and listen to a tape	1 Press OFF. 2 Start tape playback.

When the sound is distorted due to a noise
You may hear a noise while listening to a disc due to the interference of adjacent strong stations. In this case, set the frequency select switch (on the side of the hide-away unit) to 68.7 MHz. Do not forget to tune in 68.3 MHz on your tuner.



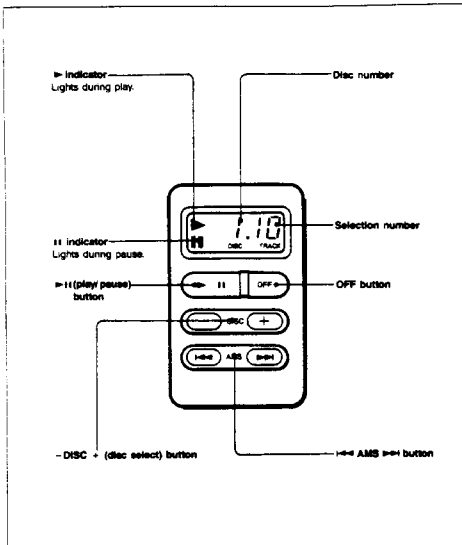
Caution

- The **OFF** button functions only to stop the disc play. The power of the CD changer is not turned off when you press the **OFF** button.
- The sensitivity of the tuner may be lowered while the unit is connected.

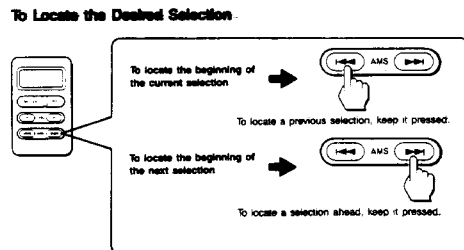
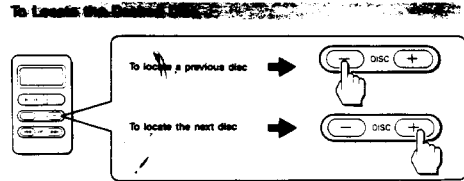
Important

Since the CD system boasts a wide dynamic range, the peaks of high level inputs are recorded with high fidelity, and the noise level is very low. Do not turn up the volume while listening to a portion with no audio signals or very low level inputs. If you do, the speakers may be damaged when a peak level portion is played.

(Remote commander)



Locating the Desired Disc or Selection (AMS Function)



CD changer

System Compact disc digital audio system

D-A conversion 16-bit linear

Frequency response 5 - 20,000 Hz \pm 1 dB

Signal-to-noise ratio 90 dB

Wow and flutter Below measurable limit

Outputs Line output (for changer connector only)

Current drain 800 mA (CD playback)

Operating temperature -10°C to 55°C

Dimensions Approx. 301 x 98 x 200 mm (w/h/d)
not incl. projecting parts and controls

Weight Approx. 3 kg

CD changer commander (Hide-away unit/Remote commander)

Transfer frequency 88.3 MHz, 88.7 MHz

Dimensions Commander: Approx. 48 x 80 x 16 mm (w/h/d)
Hide-away unit: Approx. 70 x 27 x 110 mm (w/h/d)

Weight Commander: Approx. 110 g
Hide-away unit: Approx. 350 g

Optional accessories Compact disc single adaptor CSA-8
Cleaning cloth XP-CD1, CD4

Design and specifications subject to change without notice.

Troubles

Trouble	Cause (and solution)
Play does not begin.	The unit is in the pause mode. \Rightarrow Press \equiv 11.
The operation buttons do not work.	<ul style="list-style-type: none"> The built-in microprocessor malfunctions. \Rightarrow Press the RESET button on the hide-away unit. The commander is not firmly connected.
The sound is skipped due to vibration.	<ul style="list-style-type: none"> The changer is not installed on the sturdy part of car. Dusty or defective disc.

Error displays

The following indicator flickers for about 2 seconds.

E-01	The disc magazine is not inserted in the changer.
E-02	No disc is inserted in the disc magazine.
E-04	The disc is dirty, or the disc is inserted upside down.
E-99	<p>The unit cannot be operated because of trouble.</p> <p>\Rightarrow Press the RESET button on the hide-away unit.</p> <p>The indicator keeps flickering until trouble is reformed. If this indicator does not disappear after pressing the RESET button, consult your nearest Sony dealer.</p>
WAIT	<p>The temperature exceeds 55°C (131°F) and the player cannot be operated.</p> <p>When the unit cools off, this indicator disappears.</p> <p>When the RESET button is pressed on the hide-away unit, this indicator appears for a few seconds.</p>