

Micro HI-FI Component System

Operating Instructions

GB

Owner's Record

The model and serial numbers are located on the rear of the unit. Record these numbers in the space provided below. Refer to them whenever you call upon your Sony dealer regarding this product.
Model No. _____ Serial No. _____

CMT-BX1

© 2007 Sony Corporation Printed in China
http://www.sony.net/



This symbol is intended to alert the user to the presence of uninsulated "dangerous voltage" within the product's enclosure that may be of sufficient magnitude to constitute a risk of electric shock to persons.



This symbol is intended to alert the user to the presence of important operating and maintenance (servicing) instructions in the literature accompanying the appliance.

WARNING

To reduce the risk of fire or electric shock, do not expose this apparatus to rain or moisture.

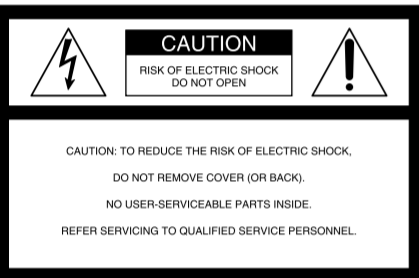
CAUTION

The use of optical instruments with this product will increase eye hazard.

Notice for the customers in the U.S.A

Note to CATV system installer:

This reminder is provided to call the CATV system installer's attention to Article 820-40 of the NEC that provides guidelines for proper grounding and, in particular, specifies that the cable ground shall be connected to the grounding system of the building, as close to the point of cable entry as practical.



The following FCC statement applies only to the version of this model manufactured for sale in the U.S.A. Other versions may not comply with FCC technical regulations.

WARNING

This equipment has been tested and found to comply with the limits for a Class B digital device, pursuant to Part 15 of the FCC Rules. These limits are designed to provide reasonable protection against harmful interference in a residential installation. This equipment generates, uses and can radiate radio frequency energy and, if not installed and used in accordance with the instructions, may cause harmful interference to radio communications. However, there is no guarantee that interference will not occur in a particular installation. If this equipment does cause harmful interference to radio or television reception, which can be determined by turning the equipment off and on, the user is encouraged to try to correct the interference by one or more of the following measures:

- Reorient or relocate the receiving antenna.
- Increase the separation between the equipment and receiver.
- Connect the equipment into an outlet on a circuit different from that to which the receiver is connected.
- Consult the dealer or an experienced radio/TV technician for help.

CAUTION

You are cautioned that any changes or modifications not expressly approved in this manual could void your authority to operate this equipment.

Note on DualDiscs

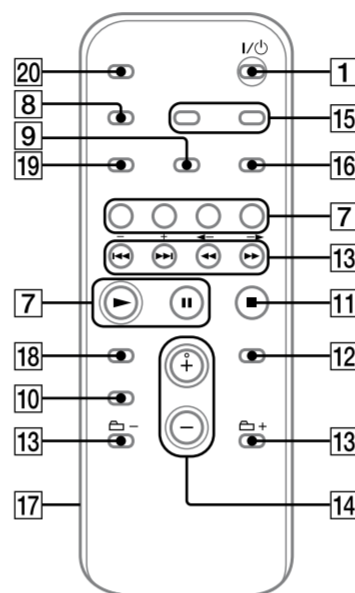
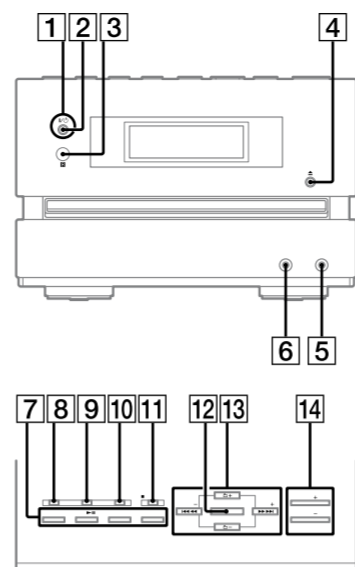
A DualDisc is a two sided disc product which mates DVD recorded material on one side with digital audio material on the other side. However, since the audio material side does not conform to the Compact Disc (CD) standard, playback on this product is not guaranteed.

Music discs encoded with copyright protection technologies

This product is designed to playback discs that conform to the Compact Disc (CD) standard. Recently, various music discs encoded with copyright protection technologies are marketed by some record companies. Please be aware that among those discs, there are some that do not conform to the CD standard and may not be playable by this product.

MPEG Layer-3 audio coding technology and patents licensed from Fraunhofer IIS and Thomson.

Basic Operations



Adjusting the sound

To adjust the volume

Press VOLUME +/- on the remote (or VOL +/- on the unit) [14].

To add a sound effect

To	Press
Generate a more dynamic sound (Dynamic Sound Generator X-tra)	DSGX [10] on the unit.
Set the sound effect	EQ [10] on the remote repeatedly to select "BASS" or "TREBLE," and then press +/- [13] on the remote repeatedly to adjust the level.

Playing a CD/MP3 disc

1 Select the CD function.

Press CD on the remote [7].

2 Place a disc.

Press ▲ (open/close) [4] on the unit, and place a disc with the label side up on the disc tray.



To close the disc tray, press ▲ (open/close) [4] on the unit.

Do not force the disc tray closed with your finger, as this may damage the unit.

3 Start playback.

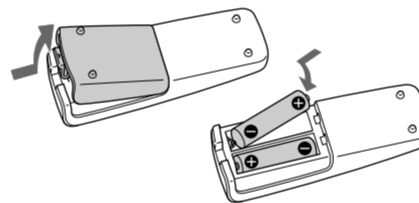
Press ▶ (play) on the remote (or CD ▶▶ (play/pause) on the unit) [7].

To	Press
Pause playback	⏸ (pause) on the remote (or CD ▶▶ (play/pause) on the unit) [7]. To resume play, press the button again.
Stop playback	■ (stop) [11].
Select a folder on an MP3 disc	⏪ +/- (select folder) [13].
Select a track or file	⏮/▶▶ (go back/go forward) [13].
Find a point in a track or file	Hold down ◀/▶▶ (rewind/fast forward) [13] during playback, and release the button at the desired point.
Select Repeat Play	REPEAT [16] on the remote repeatedly until "REP" or "REPI" appears.

Before using the system

To use the remote

Slide and remove the battery compartment lid [17], and insert the two supplied R6 (size AA) batteries, ⚡ side first, matching the polarities shown below.



Notes on using the remote

- With normal use, the batteries should last for about six months.
- Do not mix an old battery with a new one or mix different types of batteries.
- If you do not use the remote for a long period of time, remove the batteries to avoid damage from battery leakage and corrosion.

To set the clock

- Turn on the system.
Press I/O (power) [1].
- Select the clock set mode.
Press CLOCK/TIMER SET [15] on the remote. If the current mode appears on the display, press ◀/▶▶ [13] repeatedly to select "CLOCK SET" and then press ENTER [12].
- Set the time.
Press ◀/▶▶ [13] repeatedly to set the hour, and then press ENTER [12]. Use the same procedure to set the minutes.
The clock settings are lost when you disconnect the power cord or if a power failure occurs.
To display the clock when the system is off, press DISPLAY [8]. The clock is displayed for about 8 seconds.

Selecting a music source

Press the following buttons (or press FUNCTION [7] repeatedly).

To select	Press
CD	CD [7] on the remote.
Tuner	TUNER/BAND [7].
Component (connected using an audio cord)	AUDIO IN [7].

To change the play mode

Press PLAY MODE [9] repeatedly while the player is stopped. You can select normal play ("□") for all MP3 files in the folder on the disc, shuffle play ("SHUF") or ("SHUF*"), or program play ("PGM").
* When playing a CD-DA disc, (SHUF) Play performs the same operation as normal (shuffle) play.

Notes on Repeat Play

- All tracks or files on a disc are played repeatedly up to five times.
- "REPI" indicates that a single track or file is repeated until you stop it.

Notes on playing MP3 discs

- Do not save other types of tracks or files or unnecessary folders on a disc that has MP3 files.
- Folders that have no MP3 files are skipped.
- MP3 files are played back in the order that they are recorded onto the disc.
- The system can only play MP3 files that have a file extension of ".MP3".
- If there are files on the disc that have the ".MP3" file extension, but that are not MP3 files, the unit may produce noise or may malfunction.
- The maximum number of:
 - folders is 255 (including the root folder).
 - MP3 files is 511.
 - MP3 files and folders that can be contained on a single disc is 512.
 - folder levels (the tree structure of files) is 8.
- Compatibility with all MP3 encoding/writing software, recording device, and recording media cannot be guaranteed. Incompatible MP3 discs may produce noise or interrupted audio or may not play at all.

Notes on playing multisession discs

- If the disc begins with a CD-DA (or MP3) session, it is recognized as a CD-DA (or MP3) disc, and other sessions are not played back.
- A disc with a mixed CD format is recognized as a CD-DA (audio) disc.

Listening to the radio

- Select "FM" or "AM."
Press TUNER/BAND [7] repeatedly.
- Select the tuning mode.
Press TUNING MODE [9] repeatedly until "AUTO" appears.
- Tune in the desired station.
Press +/- on the remote (or TUNE +/- on the unit) [13]. Scanning stops automatically when a station is tuned in, and then "TUNED" and "ST" (for stereo programs only) appear.



To stop automatic scanning

Press ■ (stop) [11].

To tune in a station with a weak signal

If "TUNED" does not appear and the scanning does not stop, press TUNING MODE [9] repeatedly until "AUTO" and "PRESET" disappear, and then press +/- on the remote (or TUNE +/- on the unit) [13] repeatedly to tune in the desired station.

To reduce static noise on a weak FM stereo station

Press FM MODE [16] on the remote repeatedly until "MONO" appears to turn off stereo reception.

Changing the display

To	Press
Change information on the display ¹⁾	DISPLAY [8] repeatedly when the system is on.
Check the clock when the system is off	DISPLAY [8] when the system is off ²⁾ . The clock is displayed for 8 seconds.

¹⁾ For example, you can view CD/MP3 disc information, such as the track or file number or folder name during normal play, or the total playing time while the player is stopped.
²⁾ The STANDBY indicator [2] on the unit lights up when the system is off.

Notes on the display information

- Characters that cannot be displayed appear as "_".
- The following are not displayed:
 - total playing time for a CD-DA disc depending on the play mode.
 - total playing time and remaining playing time for an MP3 disc.
- The following are not displayed correctly:
 - folder and file names that do not follow either the ISO9660 Level 1, Level 2 or Joliet in the expansion format.
- The following is displayed:
 - ID3 tag information for MP3 files when ID3 version 1 and version 2 tags are used (up to 62 characters).

Using optional audio components

To connect an optional headphones

Connect headphones to the PHONES jack [6] on the unit.

To connect an optional component

Connect additional audio component to the AUDIO IN jack [5] on the unit using an audio analog cord (not supplied). Turn down the volume on the system, and then select the AUDIO IN function.

Hooking up the system securely

When carrying this system

- Remove a disc to protect the CD mechanism.
- Press CD [7] on the remote to select the CD function.
- Hold down TUNER/BAND [7] and DSGX [10] on the unit, and press ▲ [4] on the unit until "STANDBY" appears.
- After "LOCK" appears, unplug the power cord.

