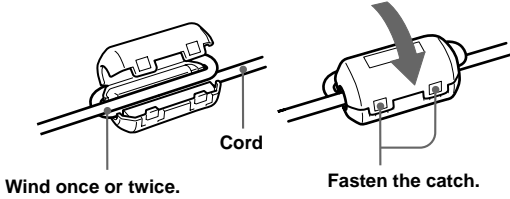


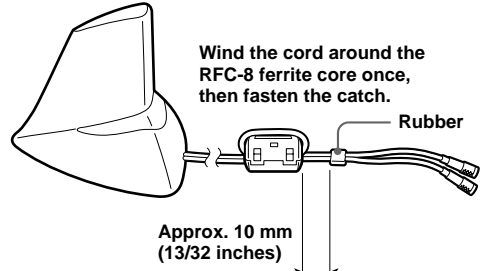
How to affix the ferrite cores

You must affix the cores (supplied with the model you purchased) in order to comply with Part 15 of the FCC Rules.

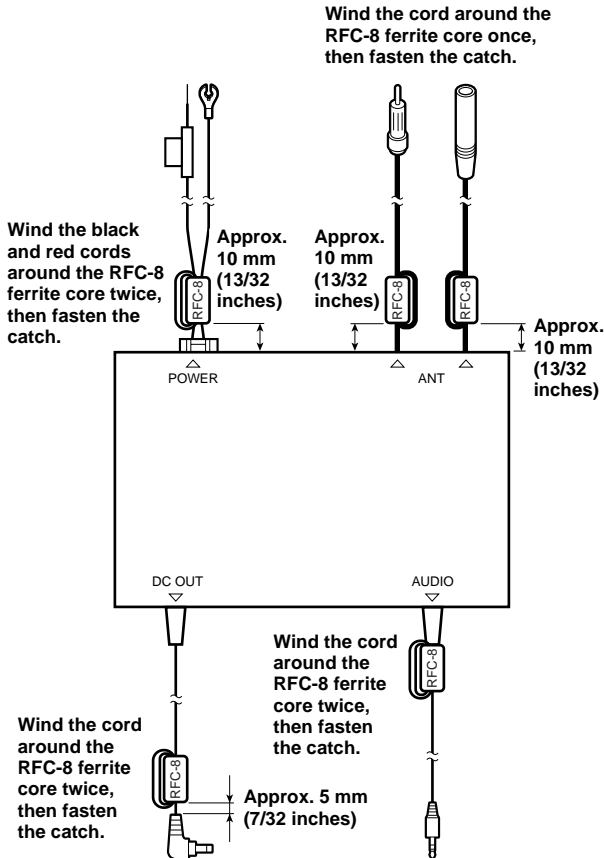
Wind the cord around the ferrite core once or twice, and then fasten the catch. Make sure that each ferrite core should be attached to the appropriate position as shown in the diagram below.



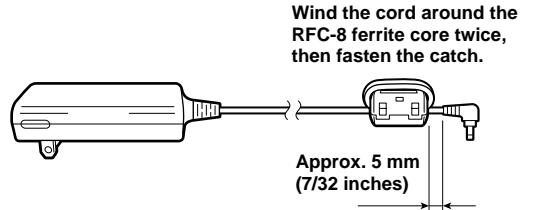
Affixing the ferrite core to the XM antenna



Affixing the ferrite cores to the RF modulator



Affixing the ferrite core to the AC power adaptor (AC-E60A)



Affixing the ferrite core to the car battery cord (DCC-E260)

