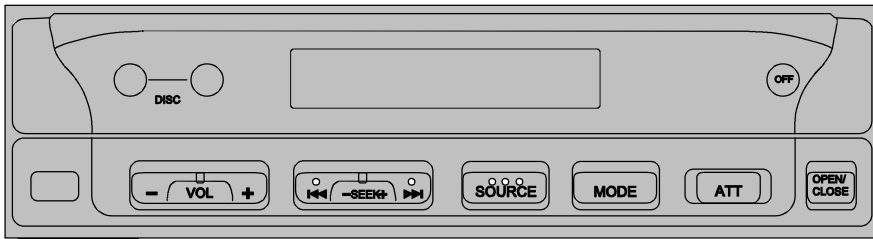
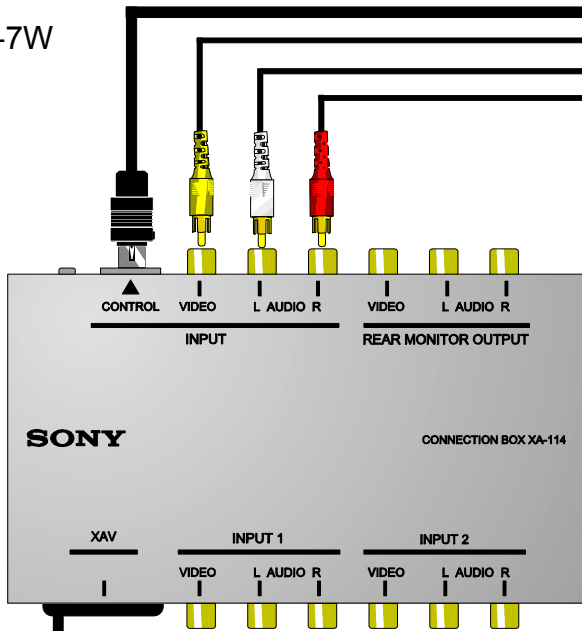


DVX-100 – XA-118 – XAV-7W Connections



XAV-7W



XA-114 (Supplied with the XAV-7W)

Parts List

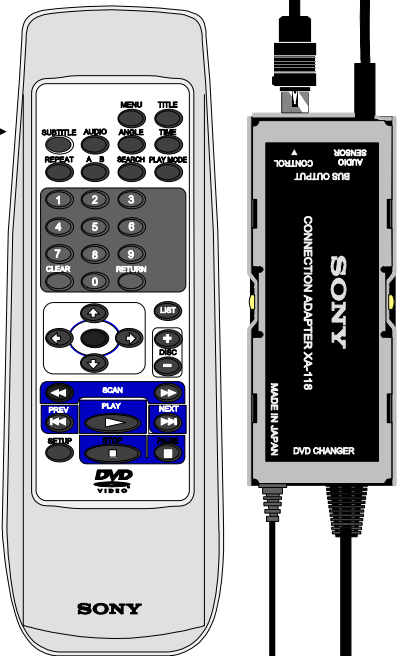
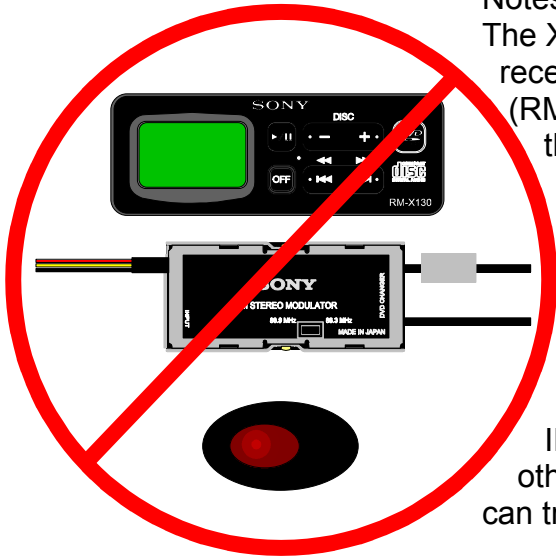
- XAV-7W complete
- DVX-100 Changer
- XA-118 Adapter
- RC-91 UniLink/RCA cable set
- Video RCA Cable
- RM-X120 Remote (DVX-100)

Not Used

- DVX-100 RM-X130 Display
- DVX-100 remote IR eye
- DVX-100 RF modulator box

Notes

The XAV-7W IR remote eye acts as a receiver for the DVX-100's remote (RM-X120). The IR eye supplied with the DVX-100 can be used, but when plugged into the XA-118, it disables the transmission of IR commands from the RM-X120, through the remote eye of the XAV-7W, to the DVX-100. When using the DVX-100 with any other head unit, the supplied IR remote eye must be used. No other head unit-based IR remote eye can transmit commands to the DVX-100.



The DVX-100 front video output is only active when the green wire connects to a parking brake ground trigger, and the parking brake is set.

