

SONY

3-756-551-21 (

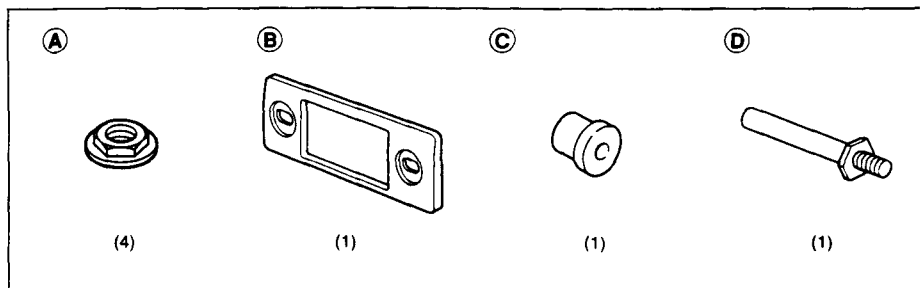
FM/AM Cassette Car Stereo

EXR-10

Installation/Connections

Supplied Mounting Hardware

The letters in the list are keyed to those in the instructions.



Installation

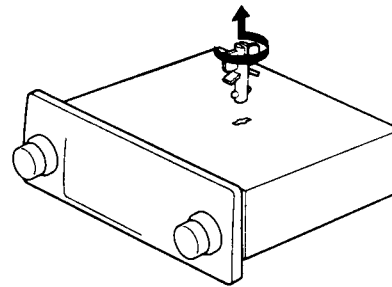
Precautions

- Choose the mounting location carefully so that the unit will not interfere with the normal driving functions of the driver.
- Avoid installing the unit where it should be subject to high temperatures, such as from direct sunlight or hot air from the heater, or where it would be subject to dust, dirt or excessive vibration.
- Use only the supplied mounting hardware for a safe and secure installation.

Basic Installation

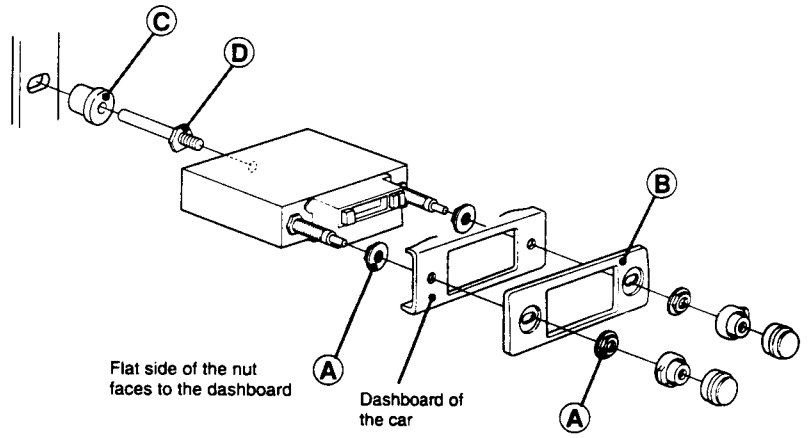
Use the mounting hardware supplied with the unit.

Remove the transit lock.



Turn 90° and then pull it out.

Mount the unit.



Connections

Caution

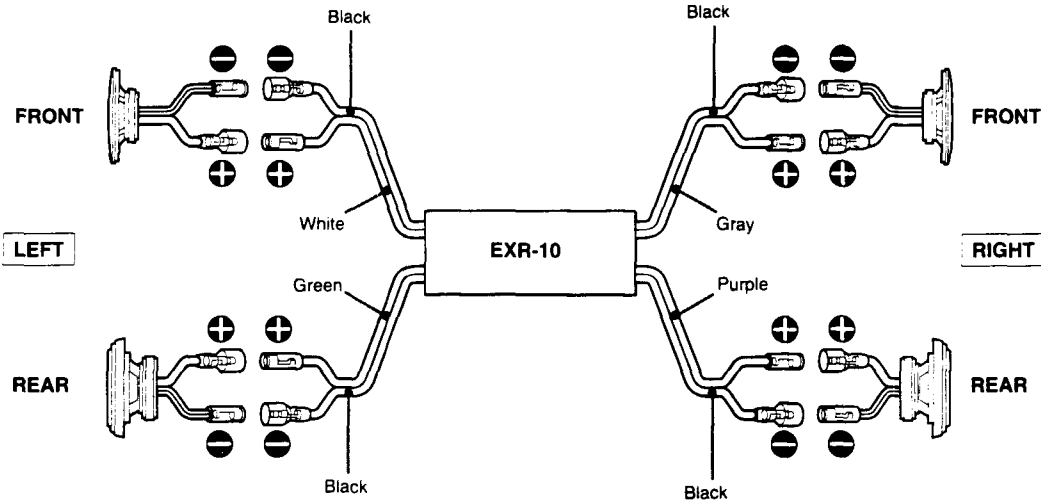
- This unit is designed for negative ground 12 V DC operation only.
- Before making connections, disconnect the ground terminal of the car battery to avoid short circuits.
- Connect the red power input lead only after all other leads are connected. Be sure to connect it to the positive 12 V power terminal which will be energized when the ignition key is set to the accessory position.
- Run all ground wires to a common ground point.

Speaker Connection

Notes on speaker connection

- Use speakers with an impedance of 4 to 8 ohms, and with adequate power handling capacities. Otherwise, the speakers may be damaged.
- Do not connect the terminals of the speaker system to the car chassis, and do not connect the terminals of the right speaker with those of the left speaker.
- Do not attempt to connect the speakers in parallel.

4-speaker connection

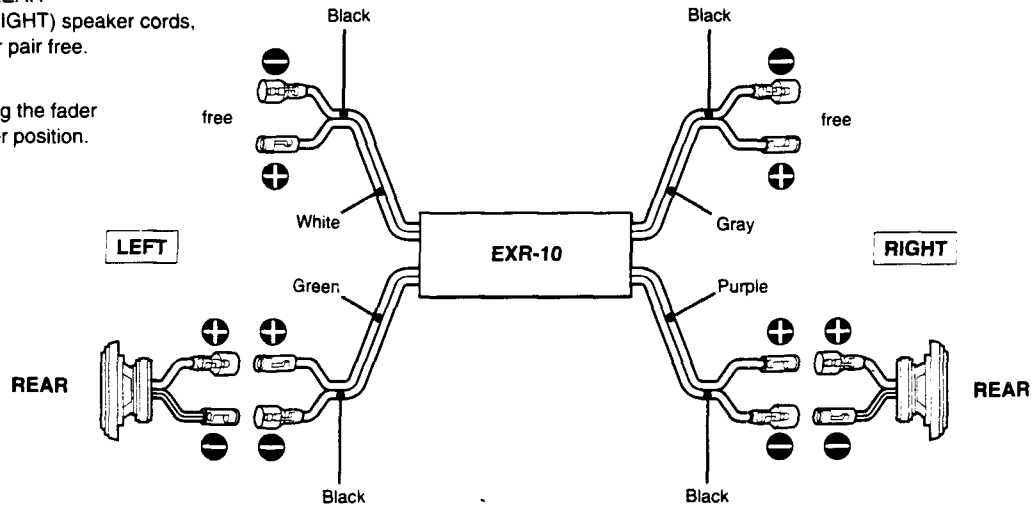


2-speaker connection

Use pair of rear (REAR LEFT and REAR RIGHT) speaker cords, and leave the other pair free.

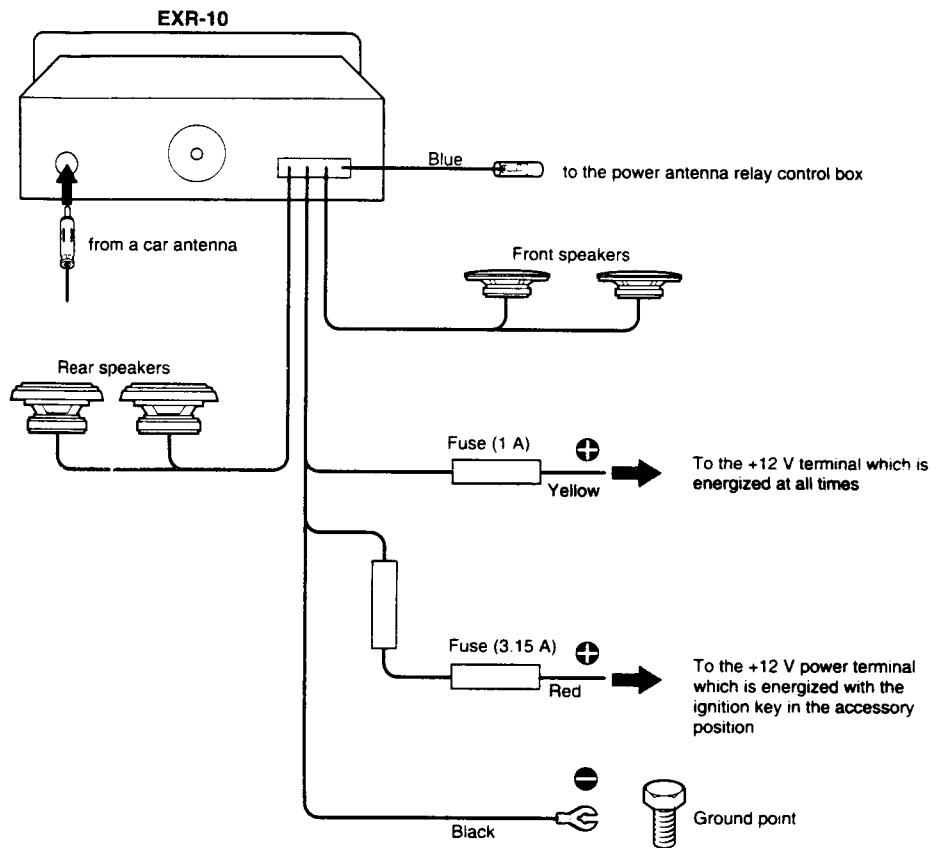
Note

Make sure of setting the fader control to the center position.



Connection Diagram

4- or 2-speaker connection



Cord color

Red	Power input lead
Yellow	Power input lead
Blue	Power antenna relay control lead
Black	Ground wire