

SONY.

3-758-070-22 (1)

LCD Color TV

FDL-KB300

Operating Instructions

Before operating the unit, please read this manual thoroughly and retain it for future reference.

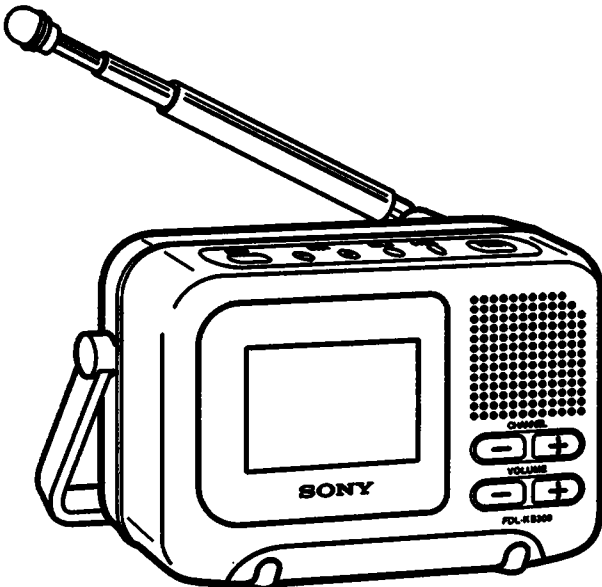
Owner's Record

The model and serial numbers are located on the bottom. Record the serial number in the space provided below.

Refer to these numbers whenever you call upon your Sony dealer regarding this product.

Model No. FDL-KB300

Serial No. _____



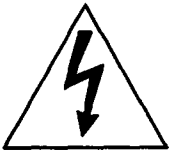
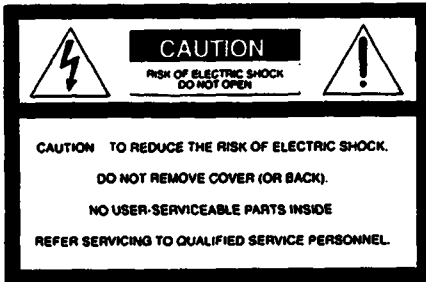
A unique feature of this TV is that it is water resistant, thus allowing use in locations that are usually moist or damp; such as bathroom, kitchen, on a boat, poolside, etc.

This feature is accomplished through the use of an Electromagnetic Induction Charging System whereby there are no exposed terminals that would be susceptible to water absorption.

The battery has not been charged at the factory. Charge it at first. (See "Charging".)

WARNING

For the charger
To prevent fire or shock hazard, do not expose the unit to rain or moisture.



This symbol is intended to alert the user to the presence of uninsulated "dangerous voltage" within the product's enclosure that may be of sufficient magnitude to constitute a risk of electric shock to persons.



This symbol is intended to alert the user to the presence of important operating and maintenance (servicing) instructions in the literature accompanying the appliance.

Safety precautions for the charger

- Operate the charger only on 120 V AC, 60 Hz.
- One blade of the plug is wider than the other for safety purposes and will fit into the power outlet only one way. If you are unable to insert the plug fully into the outlet, contact your dealer.
- To prevent electric shock, do not use this polarized AC plug with an extension cord, receptacle or other outlet unless the blades can be fully inserted to prevent blade exposure.

For details concerning safety precautions, see the attaching leaflet "IMPORTANT SAFEGUARDS."

For the charger



The above marking is indicated on the bottom cover.

Precautions on the water resistant characteristics

This TV is water resistant and can be used in a bathroom, but keep in mind with the following conditions.

- When the TV gets wet from rain or sea water, wipe it with a soft cloth.
- If you accidentally drop the TV into water, pull it out fast.
- Do not expose the TV to hot water for long time.
- Do not take the charger into a damp room, such as a bathroom. It is very dangerous.

RECYCLING NICKEL-CADMIUM BATTERIES



Ni-Cd

**NICKEL-CADMIUM BATTERY.
MUST BE DISPOSED OF
PROPERLY.**

Nickel-Cadmium batteries are recyclable. You can help preserve our environment by returning your unwanted batteries to your nearest Sony Service Center for collection, recycling or proper disposal.

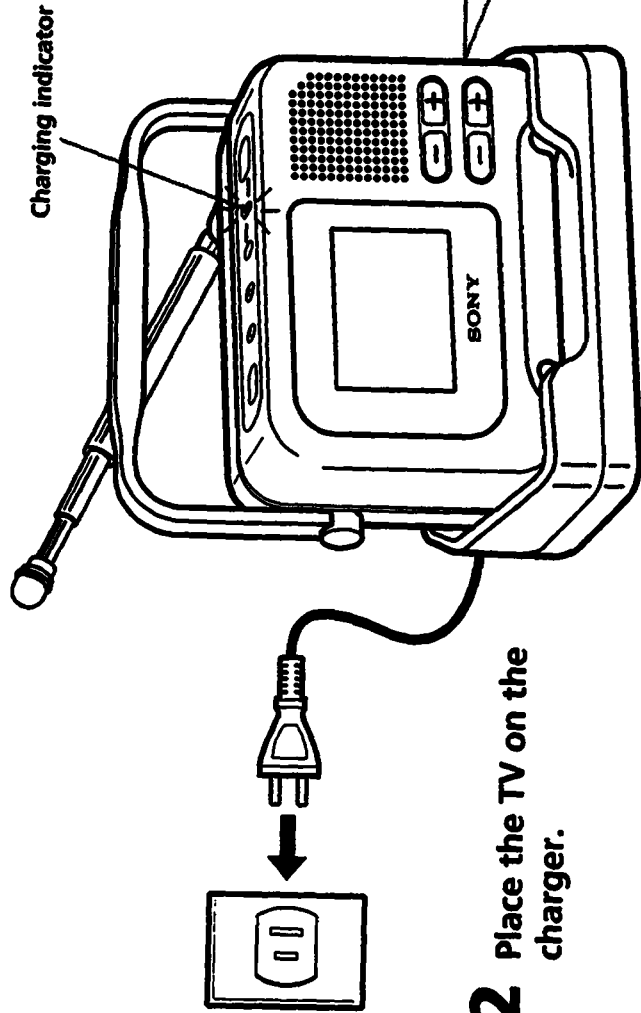
Note: In some areas the disposal of nickel-cadmium batteries in household or business trash may be prohibited.

For the Sony Service Center nearest you call 1-800-222-SONY (United States only)

Caution: Do not handle damaged or leaking nickel-cadmium batteries.

Charging

- 1** Connect the AC plug of the Electromagnetic Induction Station to an AC outlet.



- 3** Set the **POWER** switch on the back of the charger to **ON**.

- The charging indicator at the top of the TV will light indicating that the TV is charging. When the TV is fully charged, the indicator light will flash.

Battery life guidance

The charging time for the TV is 6 hours and the viewing time is 2 hours.

- The time differs according to the temperature and use.

Notes about the charger

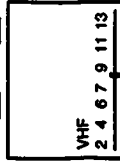
- You cannot watch the TV while it is charging.
- Do not touch the power switch or the AC plug of the charger when your hands are wet.
- It is normal that the bottom of the TV and the charger will become warm during the charging process.
- The charger is protected against water drops or sprays of water, but it is not advisable to take the charger into damp places such as the bathroom. It should never be submersed in water.
- Severely cold temperatures might affect the charging capability. Charge within a temperature range of 50 °F to 86 °F (10 °C to 30 °C).
- The charging process might cause interference with other radio and TV products so this TV should be charged at a sufficient distance.
- If you suspect any damage to the charger, AC cord or AC plug, disconnect it immediately and take it to your nearest authorized Sony Service Center.

Watching the TV

When you want to watch the TV, remove the TV from the charger.

1 Switch on.

2 Select the channel.



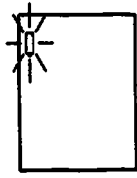
Press the \cdot / \cdot button to tune in the channel. The channel number that appears on the screen is a reference and indication and best reception lines within a certain range.

When the reception is poor
Adjust the antenna referring to "Adjusting the antenna" below right.

3 Adjust the volume.



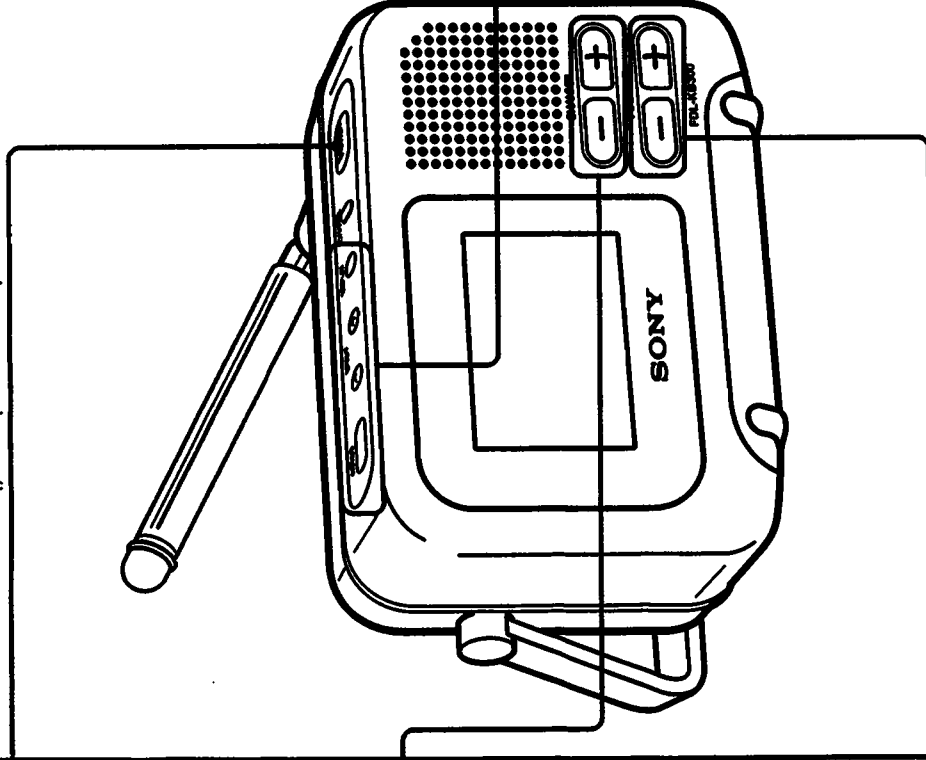
When this indicator appears, recharge the battery.



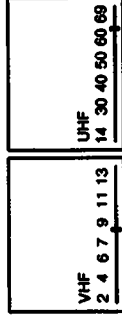
The TV will stop working in a few seconds.

Important Note

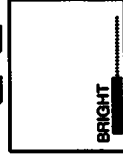
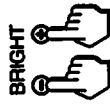
When far from a broadcasting station or when there is interference such as mountains or steel buildings, the telescopic antenna is occasionally ineffective resulting in either poor or no TV reception.



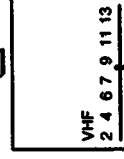
To select VHF/UHF



To adjust brightness

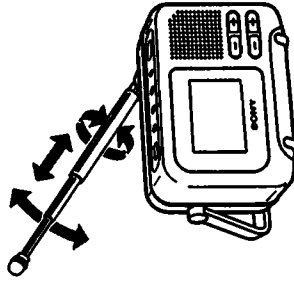


To display the channel number



Adjusting the antenna

Adjust the direction, angle and length of the telescopic antenna.

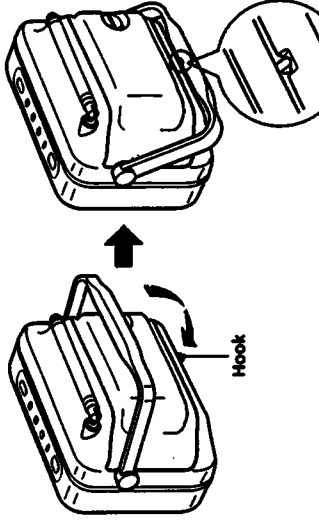


NOTES

- Do not use the TV wherever there are strong signals such as near an AM radio or a tuner.
- If you use the TV in a car, a train or building, use as close to a window as possible.

Standing the TV up vertically

Fasten the handle with the hook on the bottom of the TV.



Precautions

On Safety

- Do not allow liquids, easily burnable objects or metal objects to fall into the TV. Using the units with such items inside may result in fire, electrical shock, damage or another kind of accident.
- Do not put the charger near any charge cards or cash cards that use magnetic coding since they would become demagnetized.

On Installation

Do not place the TV:

- In an excessively hot place exposed to direct sunlight, near a heater or in a car with the windows closed (especially in summer).
- In an extremely cool place.
- In a place with excessive dust, vibration, electronic interference or radiation.
- Near an AM radio or a tuner as noise may occur.

On the Liquid Crystal Panel

- Do not press the liquid crystal panel forcibly since this may result in a poor picture and damage to the TV.
- Use the TV within a temperature of 32 °F to 104 °F (0 °C to 40 °C).
- When using the TV in a cool place, double or delayed images may occur but this is not a defect. It will become normal as the temperature rises.

On Built-in Lighting Equipment

When using the TV in a cold place, the backlighting becomes dark. It will return to normal as the temperature rises.

On Maintenance

Clean the TV with a soft cloth slightly dampened with a mild detergent solution. Never use a strong solvent, such as thinner, alcohol or benzine as they might damage the finish.

Specifications

LCD color TV (FDL-KB300)

Color system	NTSC
Tuning system	VSS, VHF/UHF selectable
Channel coverage	VHF: 2 - 13 UHF: 14 - 69
Antenna	VHF/UHF: telescopic antenna
Display format	Transmission type TN liquid crystal panel
Drive format	TFT active matrix
Picture	3 inches (75.6 mm) measured diagonally 61.5 × 44.0 mm (2 1/2 × 1 3/4 inches) (w/h)
Number of picture elements	75,816 (234 × 324 (h/w))
Speaker	∅ 50 mm (2 inches) (1) Usable power output: 0.4 W
Power requirements	NP-60D battery pack, (6V DC, 1350 mAh, built-in nickel-cadmium battery)
Temperature range	32 °F - 104 °F (0 °C - 40 °C)
Dimensions	Approx. 168.2 × 119.1 × 89.0 mm (6 5/8 × 4 3/4 × 3 5/8 inches) not including projecting parts and controls
Mass	Approx. 970 g (2 lb 3 oz)

Charger (BC-KB300)

Power supply	120 V AC, 60 Hz
Power consumption	Approx. 6.0 W
Usable temperature range	32 °F - 104 °F (0 °C - 40 °C)
Dimensions	Approx. 185.8 × 45.6 × 100.3 mm (7 3/8 × 1 13/16 × 4 inches) not including projecting parts and controls
Mass	Approx. 320 g (11.3 oz)

Design and specifications are subject to change without notice.

Troubleshooting

If you think you have a problem with this TV, double-check by using the troubleshooting suggestions below.

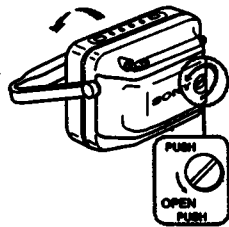
No picture or sound	<ul style="list-style-type: none"> • When the TV is on the charger, the picture is not able to be watched. • The battery pack is not charged.
Dark screen	Adjust BRIGHT properly.
Double images or ghosts appear.	Adjust the antenna.
Dotted lines or stripes appear.	This is often caused by local interference (e.g. cars, neon signs, hair dryers, etc.). Move the TV away from the local interference.

If the use time shortened even after the battery pack is fully charged.

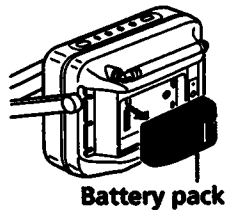
The battery duration becomes short, when the life of the battery pack is over. Change the battery pack after consulting with the nearest Sony dealer.

Change the battery pack as follows:

- ① Rotate the knob on the rear of the TV using a coin to open the battery cover.

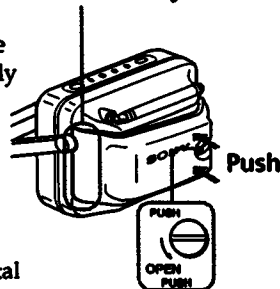


- ② Replace the old battery pack (NP-60D) with a new one.



Insert securely.

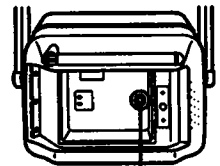
- ③ After inserting the left side of the cover into the TV, push the cover firmly at the PUSH marks. The knob rotates automatically to close the cover. Make sure that the groove on the knob has returned to the horizontal position.



Notes

- Be careful not to catch your hair or any solid object in the TV while closing the cover.
- Do not open and shut the battery cover in a wet place, such as a bathroom. After wiping the TV dry with a cloth, handle it with dry hands.
- Be careful not to let any solid object get in the TV.
- If the TV has not been used for long time (approx. 1 year), it can only be used for a short time at first, even if the battery is charged.
- If you accidentally drop the battery pack into water, do not use it. Replace it with a new one.

The AC-K400 AC power adaptor (not supplied) can be used with this TV. The AC power adaptor is not water resistant. For further information, consult your Sony dealer.



DC INPUT