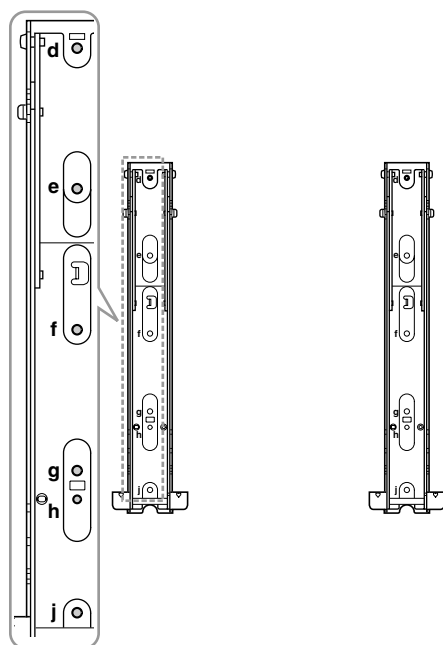


Model Name	Screw location	Hook location
KDL-40XBR4	e, g	b
KDL-46XBR4	e, g	b
KDL-52XBR4	d, g	a
KDL-40XBR5	e, g	b
KDL-46XBR5	e, g	b
KDL-52XBR5	d, g	a

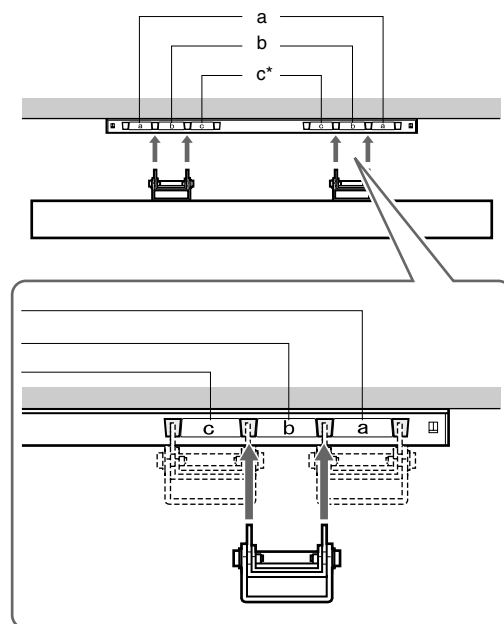
Screw location

When installing the Mounting Hook on the TV.



Hook location

When installing the TV onto the Base Bracket.



* Hook position "c" cannot be used for the models in the table above.

Installing the Wall-Mount Bracket

To Customers

For product protection and safety reasons, Sony strongly recommends that wall-mounting of your TV be performed by Sony dealers or licensed contractors. Do not attempt to install it yourself.

Your KDL-40XBR4/KDL-40XBR5/KDL-46XBR4/KDL-46XBR5/KDL-52XBR4/KDL-52XBR5 can be wall-mounted using the SU-WL500 Wall-Mount Bracket (sold separately). Please provide your licensed contractor with this installation supplement as well as the Instructions (supplied with the SU-WL500 Wall-Mount Bracket). Read these documents carefully for safety and proper installation.

To Sony Dealers and Contractors

Provide full attention to safety during the installation, periodic maintenance and examination of this product.

KDL-40XBR4 KDL-40XBR5
KDL-46XBR4 KDL-46XBR5
KDL-52XBR4 KDL-52XBR5

Installing the TV on a wall

The TV can be installed on a wall by attaching a Wall-Mount Bracket (sold separately).

Verify your TV's model number and be sure to use the bracket specified for your model only. Refer to the Steps on this leaflet along with the Instructions supplied with the SU-WL500 Wall-Mount Bracket, to properly carry out the installation.

Sufficient expertise is required in installing this product, especially to determine the strength of the wall for withstanding the TV's weight. Be sure to entrust the attachment of this product to the wall to Sony dealers or licensed contractors and pay adequate attention to safety during the installation. Sony is not liable for any damage or injury caused by mishandling or improper installation.

For product protection and safety reasons, Sony strongly recommends that you use the Wall-Mount Bracket model designed for your TV and that the wall-mounting of your TV is performed by Sony dealers or licensed contractors.

Step 1: Checking the parts required for the installation

Open the Wall-Mount Bracket package and check the contents for all required parts along with the Instructions.

Step 2: Deciding on the installation location

Decide where you want to install your TV. Refer to right side for the TV installation dimensions table. **Refer to the Instructions for SU-WL500.**

Step 3: Installing the Base Bracket on the wall

Refer to the Instructions for SU-WL500.

Step 4: Preparing for the installation of the TV

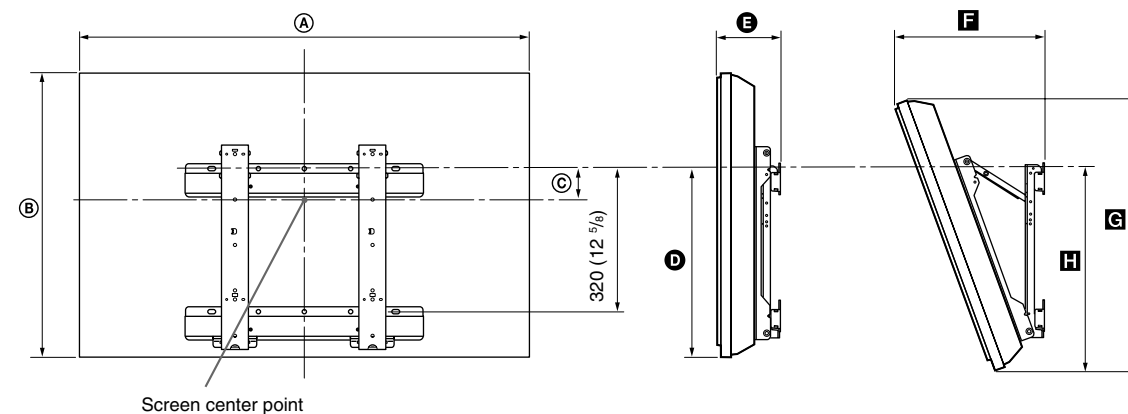
Before detaching the Table-Top Stand, disconnect all the cables from the TV. Refer to Operating Instructions supplied with the TV set for removing the Table-Top Stand.

For mounting hook installation, refer to the Screw and Hook locations diagram/table in the last page of this leaflet.

Step 5: Installing the TV on the wall

Refer to the Instructions for SU-WL500.

TV installation dimensions table



Unit: mm (inches)

Model Name	Display dimensions		Screen center dimensions C	Length for each mounting angle				
	A	B		Angle (0°)		Angle (20°)		
				D	E	F	G	H
KDL-40XBR4	1,111 (43 3/4)	657 (25 7/8)	176 (7)	509 (20 1/8)	181 (7 1/4)	349 (13 3/4)	621 (24 1/2)	550 (21 3/4)
KDL-46XBR4	1,262 (49 3/4)	734 (29)	128 (5 1/8)	500 (19 3/4)	181 (7 1/4)	378 (15)	694 (27 3/8)	542 (21 3/8)
KDL-52XBR4	1,415 (55 3/4)	827 (32 5/8)	73 (2 7/8)	491 (19 3/8)	183 (7 1/4)	415 (16 3/8)	781 (30 3/4)	533 (21)
KDL-40XBR5	1,111 (43 3/4)	657 (25 7/8)	176 (7)	509 (20 1/8)	183 (7 1/4)	349 (13 3/4)	621 (24 1/2)	550 (21 3/4)
KDL-46XBR5	1,262 (49 3/4)	734 (29)	128 (5 1/8)	500 (19 3/4)	183 (7 1/4)	378 (15)	694 (27 3/8)	542 (21 3/8)
KDL-52XBR5	1,415 (55 3/4)	827 (32 5/8)	73 (2 7/8)	491 (19 3/8)	185 (7 3/8)	415 (16 3/8)	781 (30 3/4)	533 (21)

Figures in the above table may differ slightly depending on the installation.

WARNING

The wall that the TV will be installed on should be capable of supporting a weight of at least four times that of the TV. Refer to your TV's instructions for its weight.