



## Installing the Wall-Mount Bracket

### To Customers

For product protection and safety reasons, Sony strongly recommends that wall-mounting of your TV be performed by Sony dealers or licensed contractors. Do not attempt to install it yourself.

Your KDL-40WL135/KDL-46WL135/KDL-52WL135 can be wall-mounted using the SU-WL500 Wall-Mount Bracket (sold separately). Please provide your licensed contractor with this installation supplement as well as the instructions (supplied with the SU-WL500 Wall-Mount Bracket). Read these documents carefully for safety and proper installation.

### To Sony Dealers and Contractors

Provide full attention to safety during the installation, periodic maintenance and examination of this product.

## Installing the TV on a wall

The TV can be installed on a wall by attaching a Wall-Mount Bracket (sold separately).

Verify your TV's model number and be sure to use the bracket specified for your model only. Refer to the steps on this leaflet along with the instructions supplied with the SU-WL500 Wall-Mount Bracket, to properly carry out the installation.

Sufficient expertise is required in installing this product, especially to determine the strength of the wall for withstanding the TV's weight. Be sure to entrust the attachment of this product to the wall to Sony dealers or licensed contractors and pay adequate attention to safety during the installation. Sony is not liable for any damage or injury caused by mishandling or improper installation.

**For product protection and safety reasons, Sony strongly recommends that you use the Wall-Mount Bracket model designed for your TV and that the wall-mounting of your TV is performed by Sony dealers or licensed contractors.**

**KDL-40WL135  
KDL-46WL135  
KDL-52WL135**

### Step 1: Checking the parts required for the installation

Open the Wall-Mount Bracket package and check the contents for all required parts along with the Instructions.

### Step 2: Deciding on the installation location

Decide where you want to install your TV. Refer to the reverse page for the TV installation dimensions table.

Refer to the Instructions for SU-WL500.

### Step 3: Installing the Base Bracket on the wall

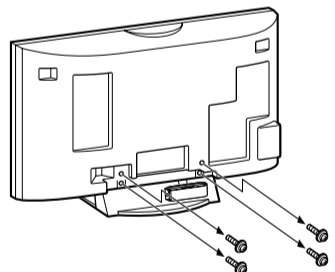
Refer to the Instructions for SU-WL500.

### Step 4: Preparing for the installation of the TV

Follow the steps below to prepare for installing the TV.

#### 1 Disconnect all the cables from the TV.

#### 2 Start removing the screws behind the TV.



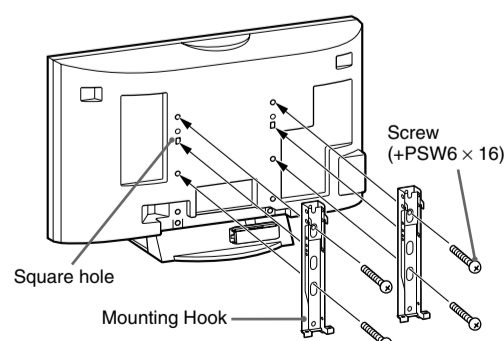
Do not remove any other screws from the TV.

#### 3 Secure the Mounting Hook to the rear of the TV.

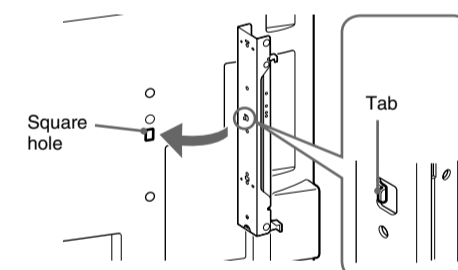
Referring to the Screw and Hook locations diagram/table on the reverse page, determine the screw positions, and secure the Mounting Hook to the rear of the TV.

1 Secure the Mounting Hook to the rear of the TV temporarily, using the supplied four screws (+PSW6 × 16).

2 Be sure that both screws are securely tightened with equal torque strength to the rear of the TV.



Align the tab on the rear of the Mounting Hook with the square hole on the rear of the TV as in the illustration below.



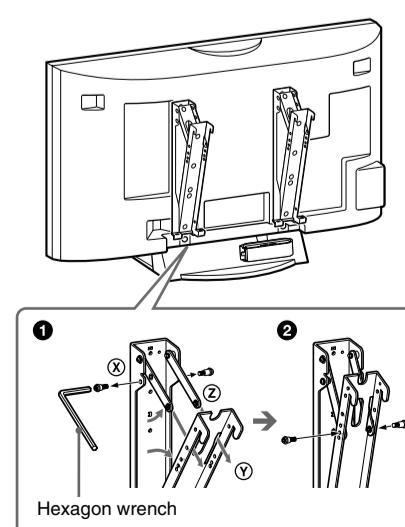
**Note**  
Be sure not to use any screws other than the supplied ones (+PSW6 × 16) when securing the Mounting Hook.

#### 4 Adjust the angle of the Mounting Hook using the hexagon wrench supplied with the Wall-Mount Bracket.

When installing the TV parallel to the wall (0 degrees), adjustment of the Mounting Hook angle (procedures 1 and 2 below) is not necessary. Make sure that each arm base ⊗ is screwed in securely.

1 Remove the two screws from the arm base ⊗ of the Mounting Hook. Choose the holes corresponding to the desired angle (5, 10, 15 or 20 degrees).

2 Adjust the angles of the top ⊕ and bottom ⊖ arm to fit the corresponding hole, and firmly secure each arm using the two screws removed in the previous procedure 1.



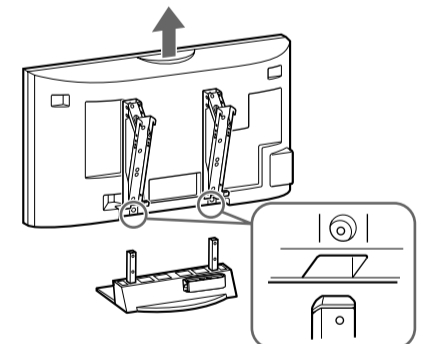
### Notes

- Be sure to adjust the right and left arms to the same angle.
- Make sure that the two arm bases are screwed in securely.

### CAUTION

Be careful not to pinch your fingers when adjusting the angle of the Mounting Hook.

#### 5 Lift the TV off the stand. Make sure that you carry out this task with at least two or three people. Do not attempt to lift the TV by yourself.



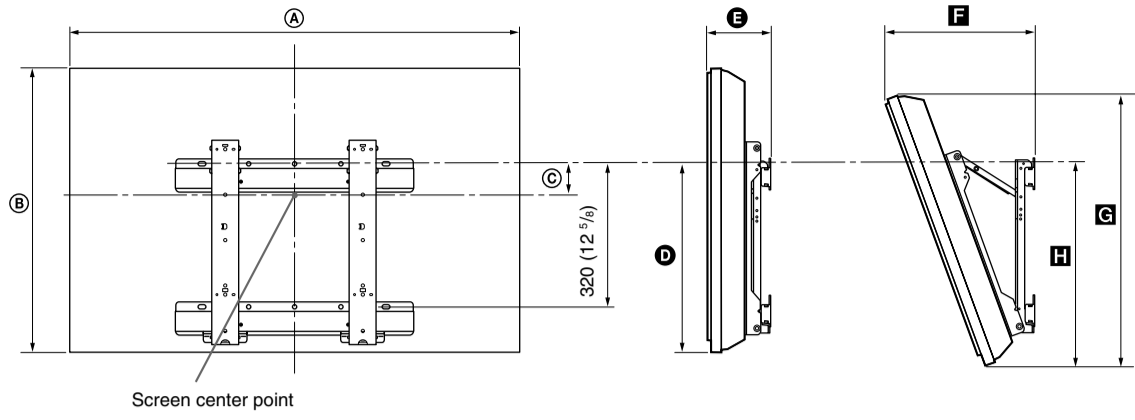
### Step 5: Installing the TV on the wall

Refer to the instructions for SU-WL500.

### Notes

- When you put the TV back on the stand, reverse the above steps (insert the posts of the stand, aligning with the lines on the rear of the TV).
- When moving the TV, do not squeeze the bottom of the front panel too strongly.
- Remove the screws or install the Mounting Hook on a stable and level surface.

## TV installation dimensions table



Unit: mm (inches)

Model Name	Display dimensions		Screen center dimensions	Length for each mounting angle				
				Angle (0°)		Angle (20°)		
	A	B	C	D	E	F	G	H
<b>KDL-40WL135</b>	992 (39 1/8)	643 (25 3/8)	176 (7)	518 (20 1/2)	182 (7 1/4)	345 (13 5/8)	620 (24 1/2)	557 (22)
<b>KDL-46WL135</b>	1135 (44 3/4)	734 (29)	128 (5 1/8)	519 (20 1/2)	182 (7 1/4)	376 (14 7/8)	706 (27 7/8)	558 (22)
<b>KDL-52WL135</b>	1278 (50 3/8)	832 (32 7/8)	73 (2 7/8)	519 (20 1/2)	183 (7 1/4)	410 (16 1/4)	797 (31 1/2)	555 (21 7/8)

Figures in the above table may differ slightly depending on the installation.

### WARNING

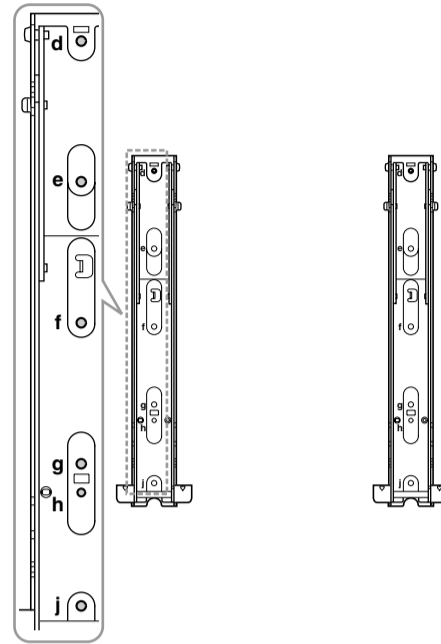
The wall that the TV will be installed on should be capable of supporting a weight of at least four times that of the TV. Refer to your TV's instructions for its weight.

## Screw and Hook locations diagram/table

Model Name	Screw location	Hook location
<b>KDL-40WL135</b>	e, g	b
<b>KDL-46WL135</b>	e, g	b
<b>KDL-52WL135</b>	d, g	a

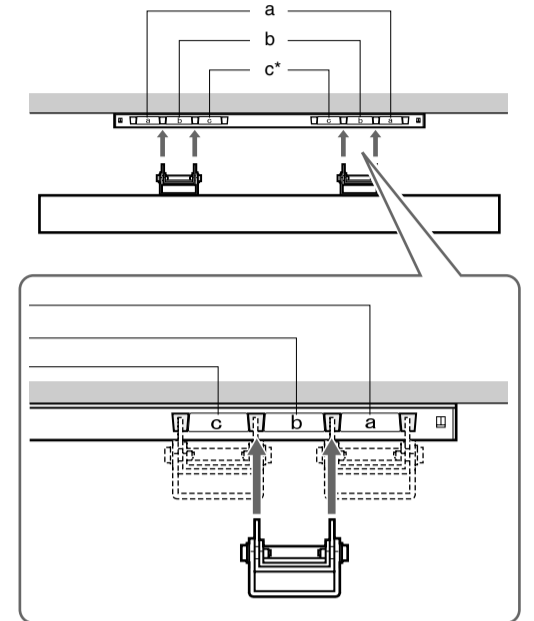
### Screw location

When installing the Mounting Hook on the TV.



### Hook location

When installing the TV onto the Base Bracket.



\* Hook position "c" cannot be used for the models in the table above.