

SONY.

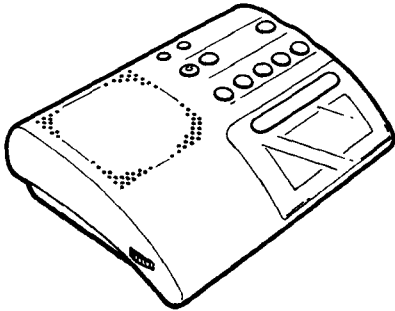
3-755-141-21 (1)

FM/AM PLL Synthesized Clock Radio

ICF-C203

Operating Instructions

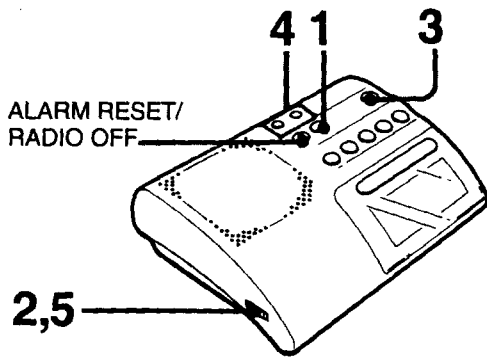
Before operating the unit, please read this manual thoroughly and retain it for future reference.



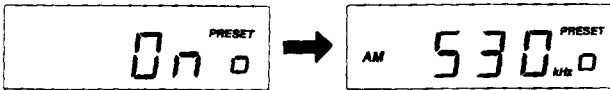
DREAM MACHINE

Sony Corporation © 1992 Printed in Malaysia

Radio Operation (Manual Tuning)

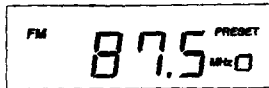


1 Press the SLEEP/RADIO ON button.
The band, frequency and the preset number of the station before the radio was turned off appear in the display window. After 10 seconds, the indication becomes the current time.



2 Turn the VOL control a little to get sound.

3 Press the BAND button to select the band.
FM and AM with the last frequency selected in each band appears alternately.



4 Tune in the station you want by pressing the TIME SET/TUNE + or - button.
The FM tuning interval is set to 0.1 MHz and the AM tuning interval is set to 10 kHz.
A beep sounds at the band edge.

5 Adjust volume.

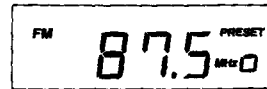
To turn off the radio
Press the ALARM RESET/RADIO OFF button.

To improve reception
FM: Extend the FM wire antenna fully to increase the FM sensitivity.
AM: Since the reception is affected by the position of the radio, rotate the unit horizontally for optimum reception.

To check the station you are listening to
Press the + button lightly. The band and frequency appear for 10 seconds.

Notes

- When you turn on the radio or change the frequency, the display shows the band and frequency for 10 seconds, then it shows the current time.
- When you tune in the frequency which is not included in the preset stations, the PRESET number in the display shows □ (out).



- If the **A RADIO** alarm time comes while listening to the radio, the station changes to that preset in number 1.

Radio Operation (Preset Tuning)

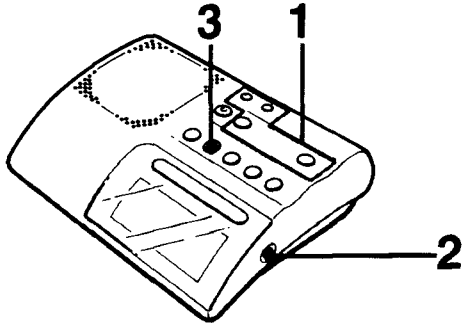
You can preset up to five FM/AM stations (one station for each number button 1 to 5).

Note

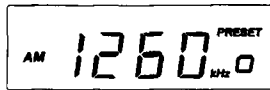
When you use the radio alarm, preset the station you want for the alarm in preset button 1, as the PRESET 1 station is the wake up station.

Presetting the Station

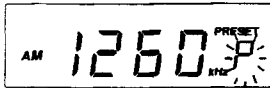
Example: To set AM 1260kHz in preset button 2.



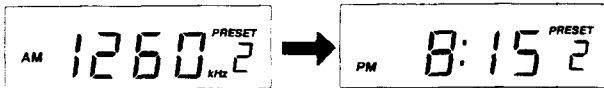
- 1 Tune in the AM 1260kHz (see "Radio Operation (Manual Tuning)").



- 2 Press the ENTER/CLOCK button.
The P indication flashes for 10 seconds.



- 3 While P is flashing, press the 2 button.
The P indication becomes 2 (the preset number) and the beeps sound.
The station is preset.
Though the indication becomes the current time after 10 seconds, the preset number remains.



- 4 Repeat steps 1 to 3 for each stations to be preset.

- 1 Press the RADIO ON button to turn on the radio.

- 2 Press the preset number button of the station.
The band, frequency and preset number appear in the display window. After 10 seconds, the indication becomes the current time.
The preset number remains.

To turn off the radio
Press the RADIO OFF button.

To check the station you are listening to
Press the preset number button.
The band and frequency appear for 10 seconds.

To change the preset station

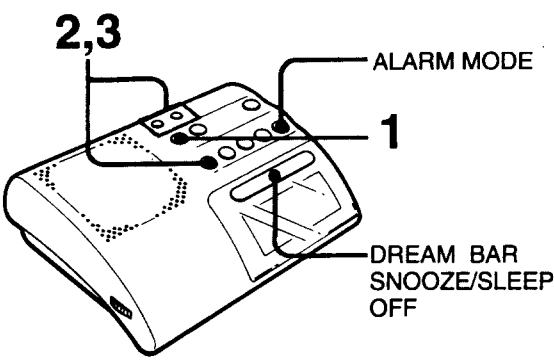
Preset a new station in the number of which you want to change the station. The previous station is canceled.

Setting the Alarm

You can set the radio and buzzer alarms. The wake up station is that preset in number 1.

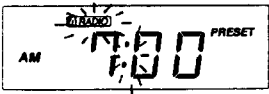
Setting the Alarm Time

To set the **A RADIO** alarm time at 7:00 AM



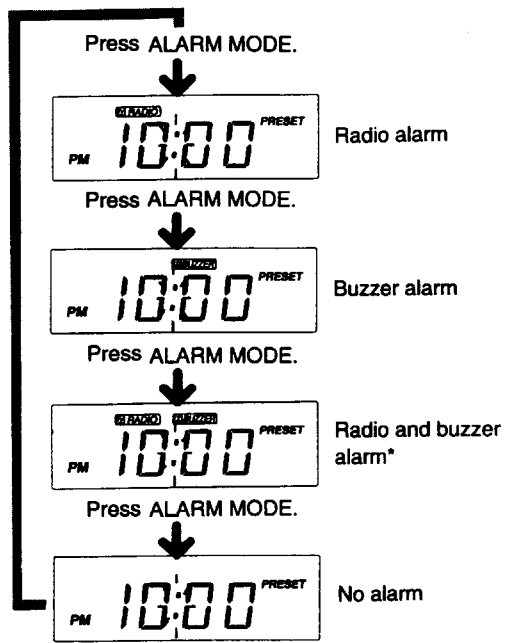
1 Turn off the radio.

2 While keeping the **A RADIO** ALARM button pressed, set the time by pressing the TIME SET/TUNE + or - button.



3 Release the **A RADIO** ALARM button. The alarm time is set. The indication becomes the current time.

Press the **ALARM MODE** button until the alarm you want appears in the display window. Each time you press the button, the alarm indication changes as follows.



Press **ALARM MODE**.

Radio alarm

Press **ALARM MODE**.

Buzzer alarm

Press **ALARM MODE**.

Radio and buzzer alarm*

Press **ALARM MODE**.

No alarm

* If you set the radio alarm and buzzer alarm at the same time, the radio alarm sounds.

- The selected alarm sounds at the time you set, and automatically turns off after 59 minutes, unless you turn it off.
- When the radio alarm comes on, **A RADIO** indication flashes. If you want to keep on listening to radio and stop flashing, press the **RADIO ON** button.

To stop the alarm

Press the **ALARM RESET/RADIO OFF** button. The alarm will sound at same time the next day.

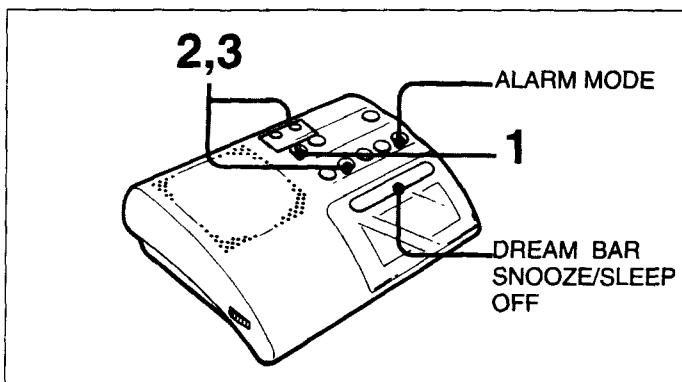
To cancel the alarm

Press the **ALARM MODE** button until neither **A RADIO** or **B BUZZER** appears in the display window.

Using the Snooze Alarm Function

When you awake to the alarm but want to stay in bed for a few more minutes, press the **DREAM BAR SNOOZE/SLEEP OFF** bar. The alarm will be silenced but will come on again after about 8 minutes. If you want to snooze more, press the bar again. You can use the snooze alarm function for about one hour. When the snooze alarm function is operating, the alarm indication flashes.

To set the **B BUZZER** alarm time at 8:15 AM



1 Turn off the radio.

2 While keeping the **B BUZZER** ALARM button pressed, set the time by pressing the TIME SET/TUNE + or - button.



3 Release the **B BUZZER** ALARM button.
The alarm time is set. The indication becomes the current time.

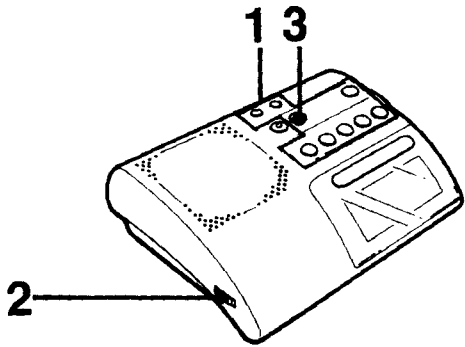
Notes

- The wake up station is the PRESET 1 station. Preset the station you want for the radio alarm in preset button 1.
- When you set both **A RADIO** and **B BUZZER** alarms continuously, perform from step 2 above.

Using the Sleep Timer

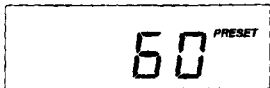
By setting the sleep timer, you can fall asleep to the radio sound. The radio turns off after the preset time has passed. You can set the sleep timer of 90, 60, 30, or 15 minutes.

Setting the Sleep Timer



- 1** Turn on the radio and tune in the desired station. See "Radio Operation".
- 2** Adjust volume.
- 3** Press the SLEEP/RADIO ON button until the minutes indication you want appears in the display window. Each time you press the button, the operation time becomes shorter.

To turn off the radio after 60 minutes



The sleep timer is set and the indication becomes the band and frequency, then the current time after 10 seconds each.

Troubleshooting

Should any problem occur with the unit, make the following checks to determine whether or not servicing is required. If the problem persists, consult the nearest Sony dealer.

The clock does not show the correct time.

There was an electrical power interruption lasting for more than one hour.

The radio or buzzer alarm does not come on at the preset time.

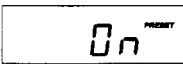
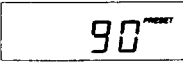
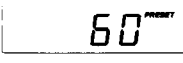
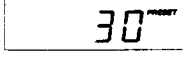
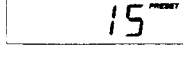
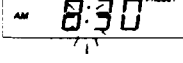
- Did you set the current time correctly?
- Did you set the alarm time correctly?
- Did you preset the station you want for the wake up station in preset button 1?
- Did you adjust the volume?
If the volume is turned down completely, the radio alarm is not heard.

Specifications

Frequency range	FM: 87.5 – 108.0 MHz AM: 530 – 1,710 kHz
Scan step	FM: 0.1 MHz (fixed) AM: 10 kHz (fixed)
Antennas	FM: FM wire antenna AM: Built-in ferrite bar antenna
Speaker	Approx. 6.6 cm (2 5/8 inches) dia.
Power output	120 mW (at 10% harmonic distortion)
Power requirements	120 V AC, 60 Hz
Dimensions	Approx. 201 × 59 × 146 mm (w/h/d) (8 × 2 3/8 × 5 3/4 inches) incl. projecting parts and controls
Weight	Approx. 600 g (1 lb 5 oz)

Design and specifications are subject to change without notice.

Sleep timer operation time

Press SLEEP/RADIO ON	Indication	Operation time
once		Radio on
twice		90 minutes
three times		60 minutes
four times		30 minutes
five times		15 minutes
six times		Radio off

To Use Both Sleep Timer and Alarm Function

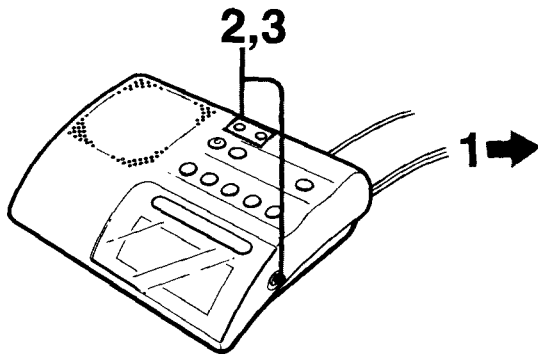
Operate in the following order to fall asleep to the radio sound and be awoken by the radio/buzzer alarm at the preset time.

- 1 Set the alarm. (See "Setting the Alarm".)
- 2 Set the sleep timer. (See "Using the Sleep Timer".)

7

Setting the Time

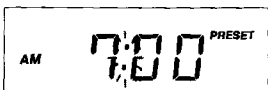
After connecting the AC power cord, be sure to set the time.



- 1** Connect the AC power cord to a wall outlet.
Time indication appears and flashes in the display window.



- 2** While keeping the ENTER/CLOCK button pressed, press the TIME SET/TUNE + or - button to set the time.
The + button advances the hour and minute digits and the - button reverses them. Keep pressing the + or - button to advance or reverse the digit rapidly.



- 3** Release the ENTER/CLOCK button.
The clock starts operating.

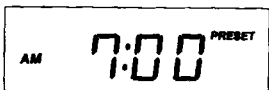
Zero second adjustment

At step 3, release the ENTER/CLOCK button with the time signal.

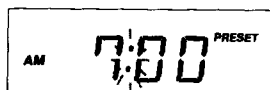
Note on the time indication

When the radio is on, ":" of the time indication is lit, and when the radio is off, the ":" is flashing.

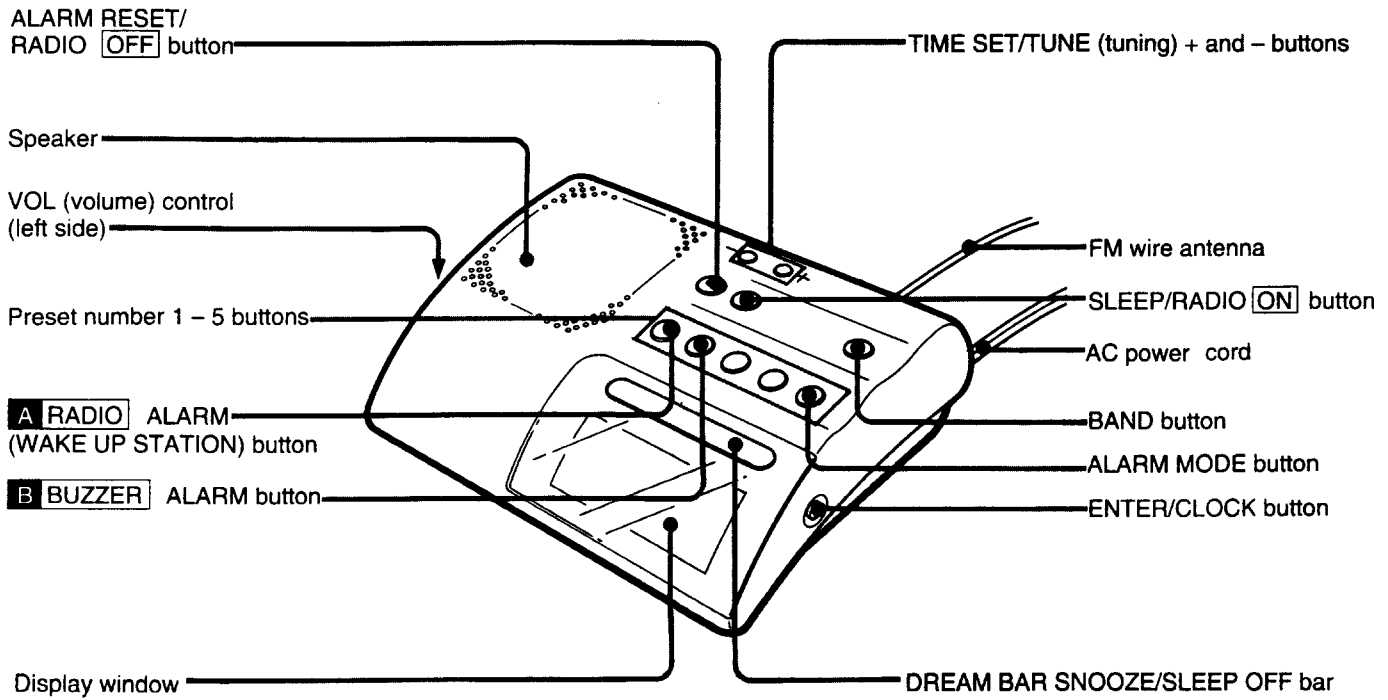
Radio is on.



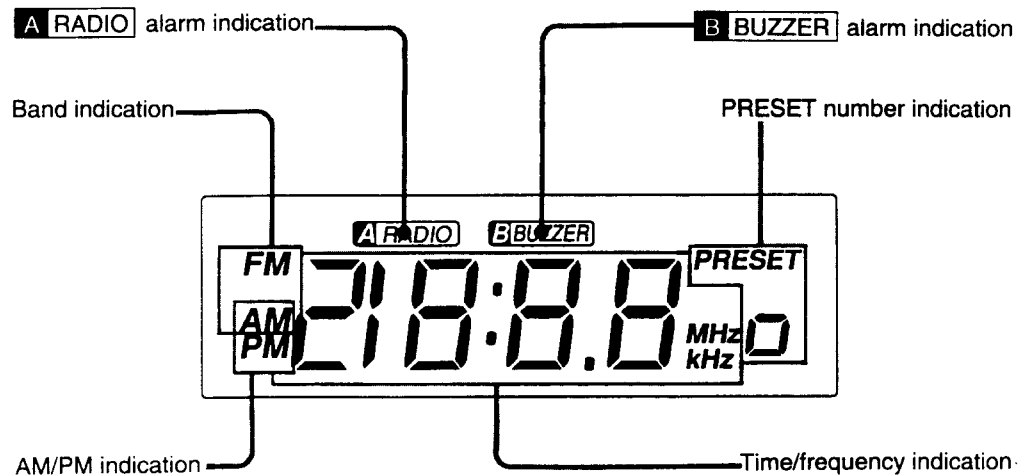
Radio is off.



Location of Controls



Display window

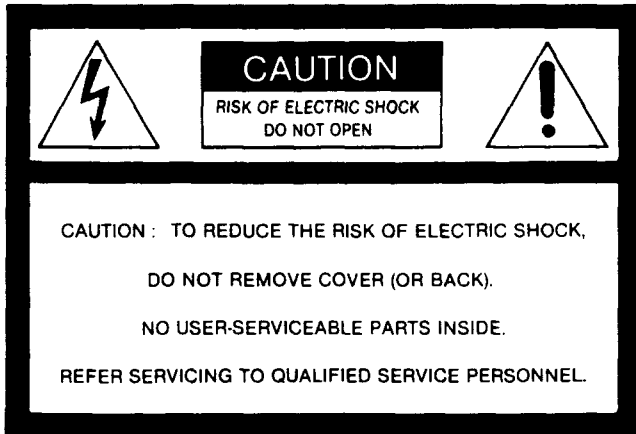


a mild detergent solution. Never use abrasive solvents, as they may mar the casing.

If you have any question, please consult your

WARNING

To prevent fire or shock hazard, do not expose the unit to rain or moisture.

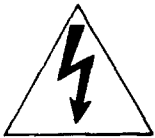


You are cautioned that any changes or modifications not expressly approved in this manual could void your authority to operate this equipment.

INFORMATION

This equipment has been tested and found to comply with the limits for a Class B digital device, pursuant to Part 15 of the FCC Rules. These limits are designed to provide reasonable protection against harmful interference in a residential installation. This equipment generates, uses, and can radiate radio frequency energy and, if not installed and used in accordance with the instructions, may cause harmful interference to radio communications. However, there is no guarantee that interference will not occur in a particular installation. If this equipment does cause harmful interference to radio or television reception, which can be determined by turning the equipment off and on, the user is encouraged to try to correct the interference by one or more of the following measures:

- Reorient or relocate the receiving antenna.
- Increase the separation between the equipment and receiver.
- Connect the equipment into an outlet on a circuit different from that to which the receiver is connected.
- Consult the dealer or an experienced radio/TV technician for help.



This symbol is intended to alert the user to the presence of uninsulated "dangerous voltage" within the product's enclosure that may be of sufficient magnitude to constitute a risk of electric shock to persons.



This symbol is intended to alert the user to the presence of important operating and maintenance (servicing) instructions in the literature accompanying the appliance.

*The graphical symbols are on the bottom enclosure.

SONY LIMITED WARRANTY

SONY CORPORATION OF AMERICA ("SONY") warrants this product against defects in material or workmanship, as follows:

For a period of 1 year from the date of retail purchase, SONY shall at its sole and absolute option either repair the defective product at no charge or replace the defective product with the same model or its equivalent model at no charge through a SONY SERVICE CENTER.

To obtain warranty service, you must take the product, or deliver the product prepaid, to one of the SONY SERVICE CENTERS located in the United States.

Proof of purchase in the form of a bill of sale or receipted invoice, which indicates that the product is within the warranty period, must be presented to obtain warranty service. SONY suggests that the purchaser retain the dealer's dated bill of sale as evidence of the date of retail purchase.

This warranty does not cover cosmetic damage, and damage to any part of the product, including the antenna, which results from acts of God, accident, misuse, abuse, improper maintenance, or connection to an improper voltage supply.

This warranty is valid only if the serial number appears on the product. This warranty is valid only in the United States of America.

REPAIR OR REPLACEMENT AS PROVIDED UNDER THIS WARRANTY IS THE EXCLUSIVE REMEDY OF THE CONSUMER. SONY SHALL NOT BE LIABLE FOR ANY INCIDENTAL OR CONSEQUENTIAL DAMAGES FOR BREACH OF ANY EXPRESS OR IMPLIED WARRANTY ON THIS PRODUCT. EXCEPT TO THE EXTENT PROHIBITED BY APPLICABLE LAW, ANY IMPLIED WARRANTY OF MERCHANTABILITY OR FITNESS FOR A PARTICULAR PURPOSE ON THIS PRODUCT IS LIMITED IN DURATION TO THE DURATION OF THIS WARRANTY.

Some states do not allow the exclusion or limitation of incidental or consequential damages, or allow limitations on how long an implied warranty lasts, so the above limitations or exclusions may not apply to you. In addition, if you enter into a service contract with the Sony Partnership within 90 days of the date of sale, the limitation on how long an implied warranty lasts does not apply to you. This warranty gives you specific legal rights, and you may also have other rights which vary from state to state.

Please refer to the list of SONY SERVICE CENTERS on the reverse side for the SONY SERVICE CENTER nearest you.

For your convenience, Sony Corporation of America has established the Customer Information Center to supply you with product or service information.

SONY CUSTOMER INFORMATION CENTER
201-930-SONY (7669)
714-821-SONY (7669)
708-250-SONY (7669)

or write to:

SONY CUSTOMER INFORMATION CENTER
Sony Drive, Mail Drop #T1-11
Park Ridge, New Jersey 07656

SONY CORPORATION OF AMERICA
Sony Drive, Park Ridge, New Jersey 07656

To obtain warranty service, please take the product, or deliver the product prepaid, to one of the following Sony Service Centers located around the United States.

All of the following items must be included when the product is shipped prepaid to the SONY SERVICE CENTER.

- Name, address and a phone number where you may be reached during the day.
- A copy of proof of purchase, as evidence that the product is within the warranty period.
- Brief description of the product defect.
- All supplied accessories with the product.

Sony Service Centers

Arizona Phoenix 2240 North Scottsdale Road Tempe, AZ 85281 (602) 949-7669	Hawaii Honolulu 950 Mapunapuna Street Honolulu, HI 96819 (808) 834-8622	Missouri St. Louis 12482-D Natural Bridge Road Bridgeton, MO 63044 (314) 291-2201
California Burbank (Los Angeles area) 4100 Riverside Drive, Suite A Burbank, CA 91505 (818) 842-7669 Costa Mesa (Orange County area) 2729 Bristol Street South Costa Mesa, CA 92626 (714) 549-4833 San Bruno (San Francisco area) 751 Camino Plaza San Bruno, CA 94066 (415) 871-2810 San Diego 8975 Comales Drive San Diego, CA 92123 (619) 279-2724 San Jose 1359 Old Oakland Road San Jose, CA 95112 (408) 280-7669	Illinois Chicago 1730 West Fullerton, Suite 4 Riverport Shopping Center Chicago, IL 60614 (312) 929-8585 Niles (Chicago N.W.) 7540 North Caldwell Avenue Niles, IL 60648 (708) 647-2400 Westmont (Chicago S.W.) 6038-38 South Cass Avenue Westmont, IL 60559 (708) 969-0049	New Jersey Mahwah (N.Y. Metropolitan Area) 386 Route 17 South Mahwah, NJ 07430 (201) 529-1655 Union Bradlee's Shopping Center US Highway 22 At Morris Avenue Union, NJ 07083 (201) 687-5555
Colorado Denver Havana Place Center 10740 East Ithi Avenue Aurora, CO 80014 (303) 755-7669	Kansas Kansas City 11712 West 95th Street Overland Park KS 66214 (913) 888-2622	Ohio Cleveland 6370 York Road Parma Heights, OH 44130 (216) 845-7669
Florida Fort Lauderdale 2850 North 28th Terrace Hollywood, FL 33020 (305) 920-5600	Maryland (Washington D.C.) Washington D.C. 5300 Sunnyside Avenue Beltsville, MD 20705 (301) 595-1818	Pennsylvania Philadelphia 851 Park Avenue King of Prussia, PA 19406 (215) 788-8850
Georgia Atlanta 120 Interstate North Parkway East Suite 410 Atlanta, GA 30339 (404) 953-5871	Massachusetts Boston 390 University Avenue 128 Westwood Industrial Center Westwood, MA 02090 (617) 329-5130	Pittsburgh Wexford Plaza 10810 Perry Highway (Rt. 19N) Wexford, PA 15090 (412) 935-8466
	Michigan Dearborn 43304 Eleven Mile Road Novi, MI 48050 (313) 344-4044	Texas Dallas 401 Preston Valley Shopping Center Dallas, TX 75230 (214) 661-3537 Houston 7639 Westheimer Houston, TX 77063 (713) 783-8781
	Minnesota Minneapolis 4300 W. 38 1/2 Street St. Louis Park, MN 55416 (612) 920-8000	Washington Seattle 835 Fidalgo Seattle, WA 98108 (206) 762 6500