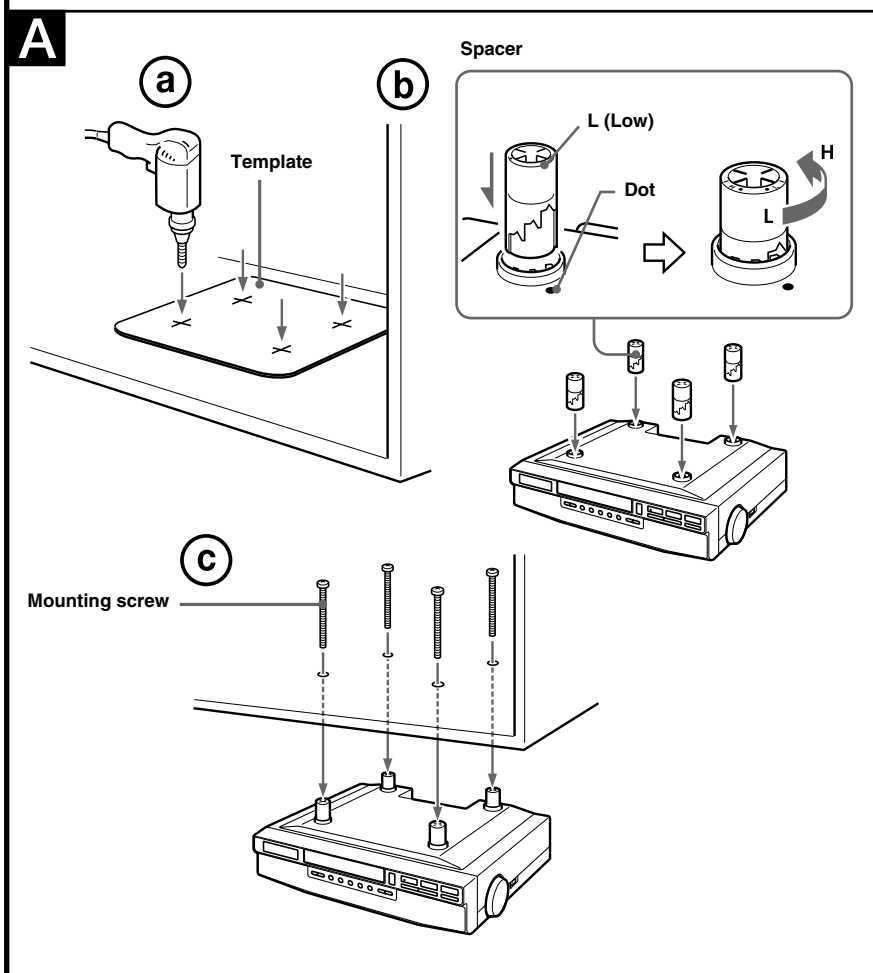


CD ►► and the PRESET TUNING 3 button have a tactile dot.



Installing the Unit Under a Cabinet

(See Fig. A)

The unit can be installed without the spacer.

- 1 Mark the position of the 4 holes by using the supplied template. Use a drill to make the holes (size 6.5 mm dia., 9/32 inch). (See Fig. A-Ⓐ)
- 2 When the cabinet door overhangs the shelf and obstructs the unit, you can adjust the unit/shelf height. First set the L mark to the dot which becomes the lowest position, then you can adjust the height in 4 steps (H•L) by turning the spacer counterclockwise. (See Fig. A-Ⓑ)
- 3 Install the unit with the supplied mounting screws. (See Fig. A-Ⓒ)

Cautions

- Since the unit is very heavy, be careful when installing the unit.
- You need two people to install the unit.
- Be careful with the tools you use when installing the unit.
- Be sure that the cabinet is sturdy enough to support the weight of the unit.
- To reduce the risk of fire, do not place any heating or cooking appliance beneath this unit.
- Install the unit so that its AC power cord can be connected directly to a wall outlet. Do not use a converter or extension cord.
- Be sure that the AC power cord has no slack when using the unit, since the cord acts as an FM wire antenna. If the AC power cord has some slack, wind it up to the cord hook until the cord has no slack.
- The unit has a built-in ferrite bar antenna for AM radio reception. Check the condition of AM reception before fixing in position.
- Install the unit as far as possible from a source of noise. (for example, refrigerator, microwave oven, fluorescent lamp, etc.)
- This unit is not waterproof. The unit should be installed where it will not be exposed to splashing water, which could damage the unit.
- To reduce the risk of fire or electric shock, do not touch the AC power cord with wet hands.
- Never place objects between the top of the unit and the bottom of the cabinet. This could cause the unit to fall.

Setting the Clock

- 1 Plug in the clock radio. The display will flash "AM 12:00".
- 2 Press **CLOCK** for a few seconds. You will hear a beep and the hour will start to flash in the display.
- 3 Press **TUNE/TRACK/TIME SET +** or **-** until the correct hour appears in the display.
- 4 Press **CLOCK** once. The minute will flash.
- 5 Repeat steps 3 and 4 to set the minute. After setting the minute, press **CLOCK** to start the counting of the seconds, and you will hear two short beeps.

- To set the current time rapidly, hold down **TUNE/TRACK/TIME SET +** or **-**.
- 12-hour system: "AM 12:00" = midnight
- In step 5, when you press **CLOCK** after the minute setting to activate the clock, the seconds start counting from zero.

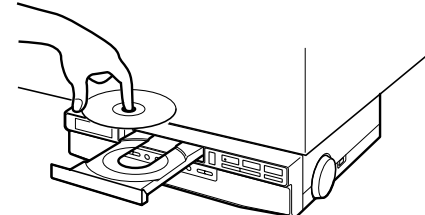
To change the display to the daylight saving time (summer time) indication

Press **D.S.T. • SUMMER T.** "☀" is displayed and the time indication changes to summer time. To deactivate the summer time function, press **D.S.T. • SUMMER T.** again.

Playing a CD

An 8 cm (3-inch) CD can be played without an adaptor.

- 1 Press **OPEN/CLOSE** ▲ and place a CD on the disc tray.



- 2 Press **OPEN/CLOSE** ▲ to close the disc tray.
- 3 Press **CD ►►**. Track "01" appears in the display. The player plays all the tracks once.
- 4 Adjust volume using **VOLUME**.

To	Press
Pause	CD ►►
Resume play after pause	CD ►► again
Locate the beginning of the current track (AMS*)	◀◀**
Locate the next track (AMS)	▶▶**
Go back at high speed	Hold down ◀◀**
Go forward at high speed	Hold down ▶▶**
Locate the previous track (AMS)	◀◀ repeatedly**
Locate the succeeding track (AMS)	▶▶ repeatedly**
Stop play	■

* AMS = Automatic Music Sensor

**These operations are possible during both play and pause.

- This player cannot play CD-R/RW.

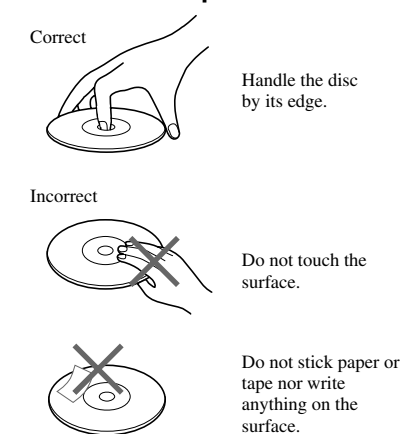
Note on DualDiscs

A DualDisc is a two sided disc product which mates DVD recorded material on one side with digital audio material on the other side. However, since the audio material side does not conform to the Compact Disc (CD) standard, playback on this product is not guaranteed.

Music discs encoded with copyright protection technologies

This product is designed to play back discs that conform to the Compact Disc (CD) standard. Recently, various music discs encoded with copyright protection technologies are marketed by some record companies. Please be aware that among those discs, there are some that do not conform to the CD standard and may not be playable by this product.

To handle compact discs



Notes

- If you press **CD ►►** when there is no disc in the CD compartment, "00" flashes for a few seconds on the display and the unit turns off automatically.
- Discs with non-standard shapes (e.g., heart, square, star) cannot be played on this unit. Attempting to do so may damage the unit. Do not use such discs.

Various Modes of CD Playback

You can play tracks repeatedly or in random order.

Press **CD PLAY MODE**.

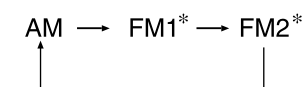
Each press changes the play mode as follows:

Display indication	Play mode
none	(normal play)
All the tracks are played once.	↓
"REP 1"	(single repeat)
A single track is played repeatedly.	↓
"REP ALL"	(all repeat)
All the tracks are played repeatedly.	↓
"SHUFFLE"	(shuffle play)
All the tracks are played once in random order.	↓
"SHUFFLE REP"	(shuffle repeat)
All the tracks are played repeatedly in random order.	

Playing the Radio

Manual Tuning

- 1 Press **RADIO ON•BAND** to turn on the radio. "RADIO" appears in the display. The display shows the band and frequency for a few seconds and then changes back to the current time.
- 2 Press **RADIO ON•BAND** repeatedly to select the desired band. Each press changes the band as follows:



* When using FM1 or FM2 preset mode, you may listen to the radio on either mode (See "Preset Tuning").

- 3 Use **TUNE/TRACK/TIME SET +** or **-** to tune in to the desired station. The FM channel step is set to 0.1 MHz and the AM channel step is set to 10 kHz.

Two short beeps sound when the minimum frequency of each band is received during tuning.

- 4 Adjust volume using **VOLUME**.

- To turn off the radio, press **OFF/ALARM RESET** ■.
- To improve radio reception **FM**: Extend the AC power cord fully to improve FM reception. **AM**: When installing the unit, rotate the unit horizontally for optimum reception and then install the unit. A ferrite bar antenna is built into the unit.
- To check the station being received, press **RADIO ON•BAND** lightly. The display shows the band and frequency for a few seconds and then changes back to the current time.

Preset Tuning

You can preset 10 stations in FM (5 stations in FM1, 5 stations in FM2) and 5 stations in AM.

Presetting a Station

Example: To preset FM90 MHz onto preset button 2 for FM2.

- 1 Press **RADIO ON•BAND** to turn on the radio.
- 2 Press **RADIO ON•BAND** to select FM2.
- 3 Tune in to the station on FM90 MHz (See "Manual Tuning").
- 4 Hold down the **PRESET TUNING** button 2 until you hear two short beeps.



The display shows the frequency for a few seconds and then changes back to the current time.

To change a preset station

Tune in manually to the station you want to store and hold down the **PRESET TUNING** buttons (1-5) until you hear two short beeps. The previously stored station will be replaced by the new one.

Tuning in to a preset station

- 1 Press **RADIO ON•BAND** to turn on the radio.
- 2 Press **RADIO ON•BAND** to select the band.
- 3 Press the **PRESET TUNING** button lightly where the desired station is stored.
- 4 Adjust the volume using **VOLUME**. After a few seconds, the display returns to the current time but the preset button number remains.

Note

When the **PRESET TUNING** buttons (1-5) are pressed lightly, the radio station that is preset will be selected. When they are pressed for a while, the station that is on will be newly preset.

Useful Functions

To Obtain Powerful Bass

Switch **MEGA BASS** to **ON**. The "MEGA BASS" system produces a powerful bass sound.

Setting the Alarm

Before setting the alarm, make sure to set the clock (see "Setting the Clock").

To Set the Alarm Time

- 1 Press **ALARM** for a few seconds. You will hear a beep and the hour will start to flash in the display.
- 2 Press **TUNE/TRACK/TIME SET +** or **-** until the desired time appears in the display.
- 3 Press **ALARM** once. The minutes starts to flash.
- 4 Repeat steps 2 and 3 to set the minute. Two short beeps will confirm the setting, and the display will show the current time.

To Check the Alarm Time

Press **ALARM**. The display shows the alarm time for a few seconds and then returns to show the current time.

ALARM ON

To Set the Alarm Mode

Press **ALARM ON/OFF** to set the alarm. "☀" will appear in the display. When the alarm comes on at the preset time, "☀" flashes in the display.

ALARM OFF

The alarm is turned off automatically after 60 minutes.

To Stop the Alarm

Press **OFF/ALARM RESET** ■ to turn off the alarm. The alarm will come on again at the same time the next day.

To Cancel the Alarm

Press **ALARM ON/OFF**. "☀" will disappear from the display.