

SONY

3-753-078-23 (1)

AM/FM Stereo Digital Clock Radio Cassette Player

ICF-CS650

Operating Instructions

Before operating the unit, please read this manual thoroughly and retain it for future reference.

Owner's Record

The model and serial numbers are located at the rear.
Record the serial number in the space provided below.
Refer to these numbers whenever you call upon your Sony dealer regarding this product.

Model No. ICF-CS650 Serial No. _____

DREAM MACHINE

Sony Corporation ©1991 Printed in Taiwan R.O.C.

Features

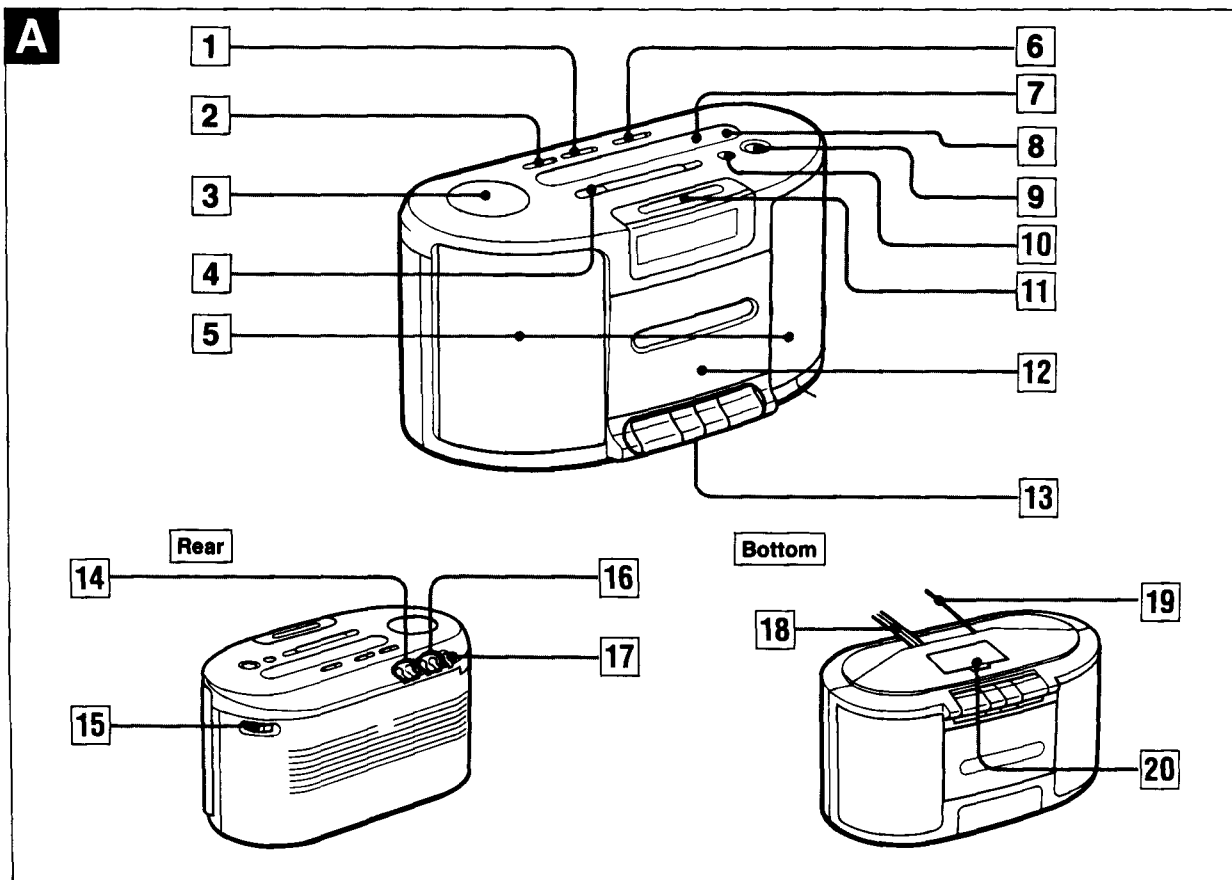
- A cassette player for awakening to the tape you like.
- Dynamic stereo sound by using the LOUDNESS switch or the SURROUND switch
- Choice of awakening to radio alarm, tape alarm, buzzer alarm, or dual alarm; Alarm A (radio or tape) and B (buzzer)
- DREAM BAR SNOOZE operable with a feather-light touch, offers the snooze alarm function.
- Power backup function to keep the clock operating during a power interruption

Precautions

- Operate the unit only on 120 V AC, 60 Hz.
- Disconnect the cord by grasping the plug. Never pull it by the cord.
- Do not leave the unit in a location near a heat source such as a radiator or airduct, or in a place subject to direct sunlight, excessive dust, mechanical vibration, or shock.
- Allow adequate air circulation to prevent internal heat build-up. Do not place the unit on a surface (a rug, a blanket etc.) or near materials (a curtain) which might block the ventilation holes.
- Should any liquid or solid object fall into the unit, unplug the unit and have it checked by qualified personnel before operating it further.
- When the casing becomes soiled, clean it with a soft cloth dampened with a mild detergent solution. Never use abrasive cleansers or chemical solvents, as they may mar the casing.
- Since a strong magnet is used for the speaker, keep personal credit cards using magnetic coding or spring-wound watches away from the unit to prevent possible damage from the magnet.

If you have any question or problem concerning your unit that is not covered in this manual, please consult the nearest Sony dealer.

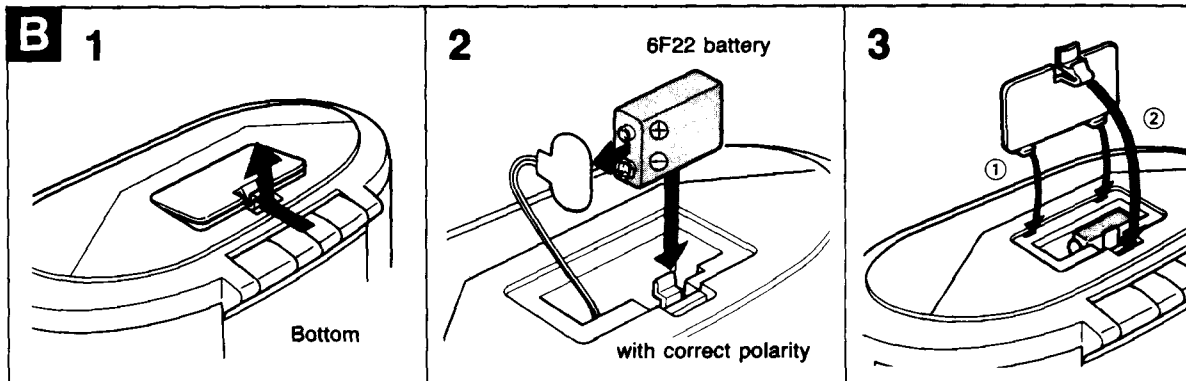
Location and Function of Controls



See illustration **A**.

- 1 SURROUND switch**
Slide to ON to add a rich and spacious effect to the original sound.
 - 2 LOUDNESS switch**
Slide to ON to emphasize the bass.
 - 3 VOLUME control**
 - 4 FUNCTION selector (RADIO OFF, RADIO ON, SINGLE ALARM [A] RADIO/TAPE, [B] BUZZER, DUAL ALARM [A] RADIO/TAPE [B] BUZZER).**
Select the desired position.
 - 5 Speakers**
 - 6 BAND selector (AM/FM)**
 - 7 Dial scale and dial pointer**
 - 8 FM stereo indicator**
Lights up when an FM stereo program of sufficient signal strength is received.
 - 9 ALARM RESET/SLEEP OFF button**
Press to
 - cancel completely the alarm setting.
 - turn off the radio before the sleep timer's preset time has elapsed.
 - 10 SLEEP button**
Press to set the sleep timer.
 - 11 DREAM BAR SNOOZE bar**
Press to repeat the alarm function.
 - 12 Cassette Compartment**
 - 13 Tape operation buttons**
- Rear**
- 14 ALARM set buttons (A: RADIO/TAPE, B: BUZZER)**
Press down the appropriate buttons while setting the alarm time.
 - 15 TUNING control**
 - 16 TIME SET buttons (⊖ or ⊕)**
Use to set the current time and the alarm time.
 - 17 CLOCK set button**
Press down while setting the current time.
- Bottom**
- 18 AC power cord**
 - 19 FM wire antenna**
 - 20 Power backup battery compartment**

Power Backup during Power Interruption



Battery installation

See illustration **B**.

Be sure to install a 6F22 battery (not supplied) for the power backup function. If the AC power supply is interrupted, the battery supplies power to keep the clock operating and holding the alarm time setting.

- During power interruption, the clock function is maintained although the indications on the time display goes off, but the alarm sound does not come on.
- After a power interruption, the time shown in the display window may not be always correct (it may gain or lose about 10 minutes per hour).
- This battery is only for clock operation and alarm memory during power interruption.
You cannot listen to the radio with the battery.

When to replace the battery

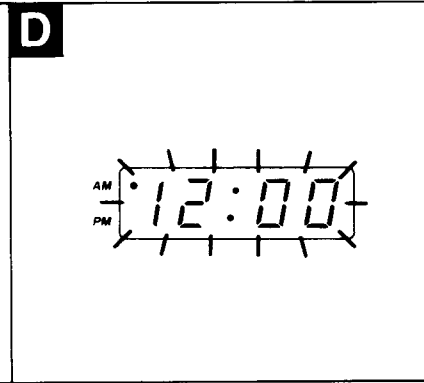
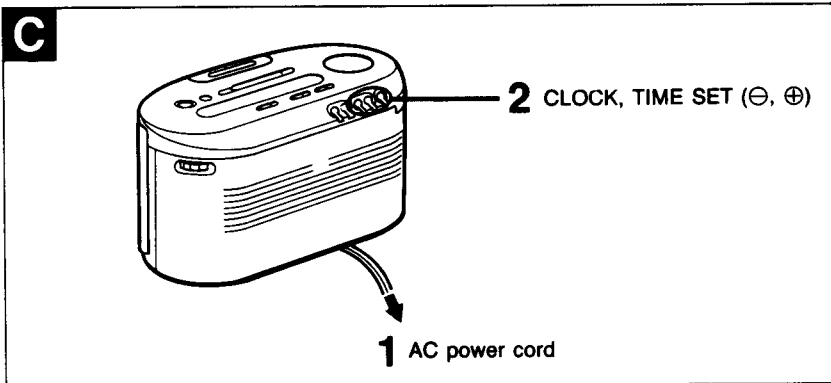
To check the battery condition, unplug the AC power from the wall outlet and plug it in again after a few seconds. If the time on the display is different from what was before you unplugged the AC power cord, replace battery with a new one.

Concerning the battery life, see "Specifications".

Notes

- Be sure to install the battery before disconnecting the AC power cord.
- When the unit is unplugged from the wall outlet for long time, be sure to remove the battery to avoid unit battery discharge and unit damage from battery leak.

How to Set the Clock



See illustration **C**.

Example: To set to 8:15 AM

- 1 Connect the AC power cord to a wall outlet.**
Figures will appear on the time display and begin to flash. (See illustration **D**.)
- 2 Set the current time.**
While keeping CLOCK pressed, press the TIME SET ⊕ button (to go forward rapidly) and the TIME SET ⊖ button (to go backward slowly).
Release CLOCK at exactly 8:15 AM.
The clock will begin to operate when CLOCK is released.

To set the current time rapidly, press the ⊕ button and advance to a time that is a few minutes ahead of the current time. Then press the ⊖ button to set the time correctly.

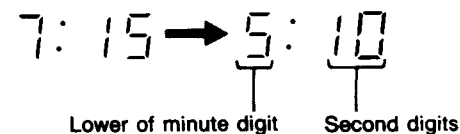
Zero second adjustment

Example: To set to 7:15 AM

- 1** Adjust the time to 7:16 AM as previously described.
- 2** While keeping CLOCK pressed, press TIME SET ⊖ button simultaneously with the radio or telephone time announcement, and then release.

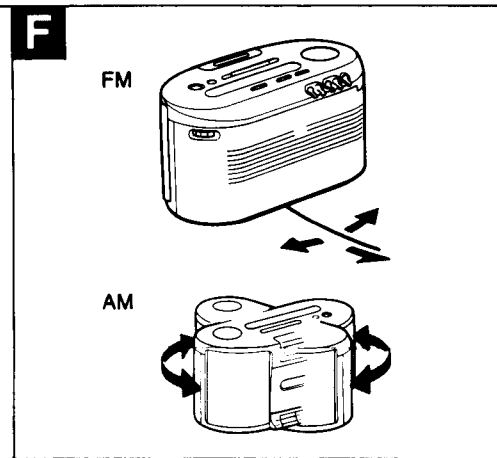
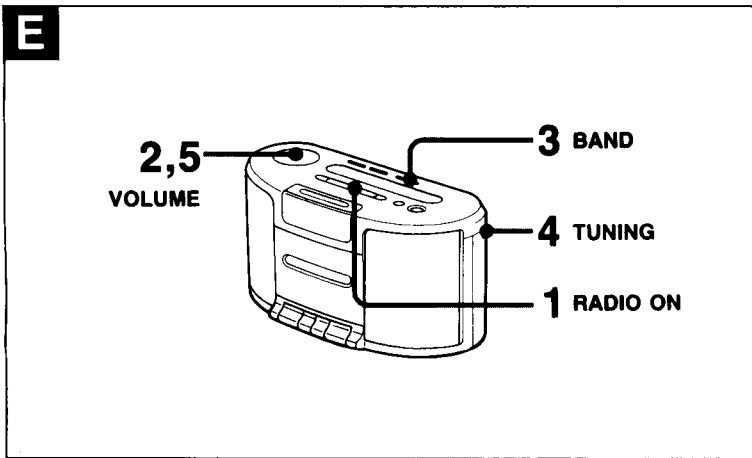
To display minute and second, press DREAM BAR SNOOZE.

Example: When the current time is 7:15:10, the display will become:



The display returns to the current hour and minute when it is released.

Radio Operation



See illustration **E**.

- 1** Set the function selector to **RADIO ON**.
- 2** Turn the **VOLUME** control a little to get sound.
- 3** Choose the desired band.
- 4** Tune in the desired station.
- 5** Adjust volume.

To turn off the radio, set the function selector to **RADIO OFF**.

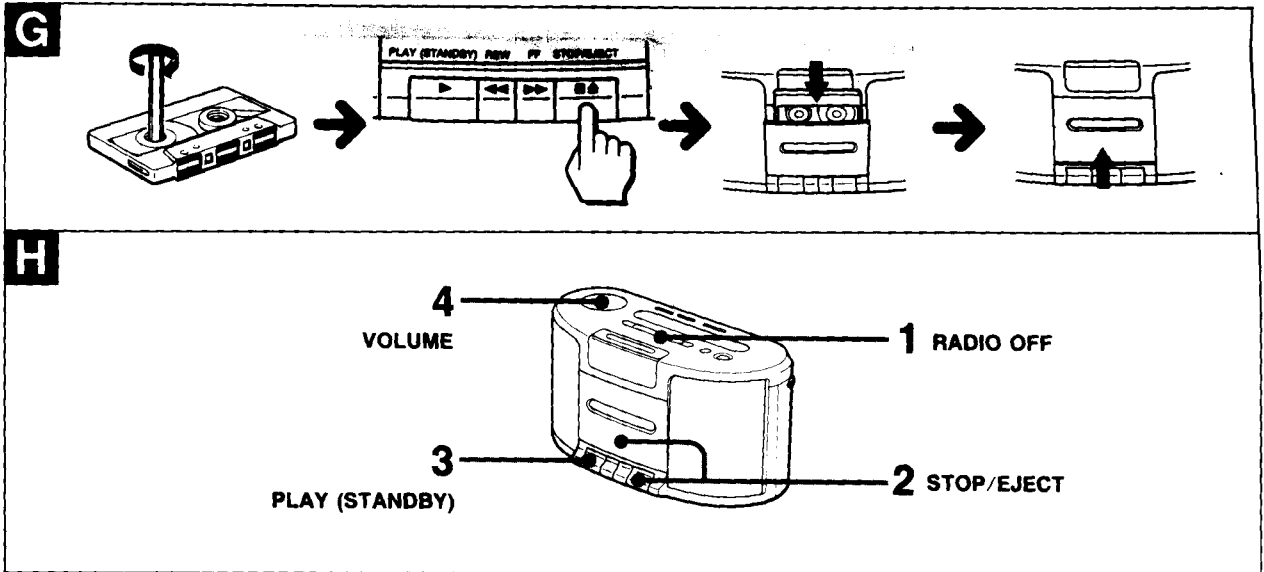
For Improved Reception

See illustration **F**.

FM: Extend the FM wire antenna fully increase the FM sensitivity.

AM: Since the reception is affected by the direction of the radio, rotate the unit horizontally for optimum reception.

Tape Insertion & Playback



See illustration **G**.

Before inserting, take up any slack in the tape.

See illustration **H**.

- 1 Set the function selector to RADIO OFF.**
The playback is also possible when you set the function selector to RADIO ON or SINGLE ALARM **B BUZZER**.
- 2 Press the STOP/EJECT (■▲) button to open the cassette holder and insert a cassette.**
To rewind the tape, press REW (◀◀).
To advance the tape rapidly, press FF (▶▶).

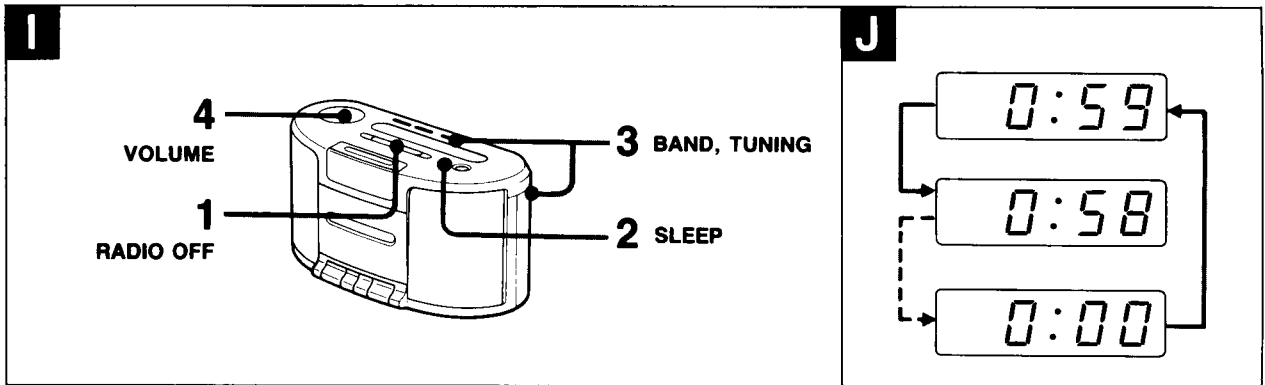
- 3 Depress the PLAY (STANDBY) (▶) button.**

- 4 Adjust volume.**

Notes

- In fast-forward or rewind mode, the motor stops at the tape end. The locked button will automatically release.
- While playing back, keep the function selector to RADIO OFF. If you set the selector to SINGLE ALARM **A RADIO/TAPE** or DUAL ALARM **A RADIO/TAPE B BUZZER**, the tape being played back enters the pause mode. To resume tape playback, return the function selector to RADIO OFF.

How to Use the Sleep Timer



See illustration **I**.

- 1 Set the function selector to position other than RADIO ON.**
- 2 Press the SLEEP button to set the sleep timer operation time.**
The radio will be turned on for 59 minutes.
Keep the SLEEP button depressed to reduce the time sequence by one minute. (See illustration **J**.)
- 3 Tune in a desired station.**
- 4 Adjust the volume.**

You can fall asleep to the radio sound knowing that the radio will turn itself off after the preset time period has elapsed.

To turn off the radio before the preset time elapses, press the ALARM RESET/SLEEP OFF button which cancels the SLEEP function.

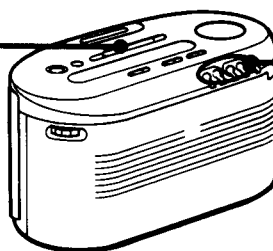
Notes

- If you wish to fall asleep to the tape sound, set the function selector to RADIO OFF or SINGLE ALARM **[B BUZZER]** and play back a recorded tape. The position SINGLE ALARM **[B BUZZER]** is used when you wish to awake to the buzzer.
- The tape playback time depends on the length of the tape and when it reaches its end, the PLAY (STANDBY) **[▶]** button will release automatically.

How to Set the Alarm

K

2 SINGLE ALARM
(**A** RADIO/TAPE,
B BUZZER), DUAL ALARM
(**A** RADIO/TAPE **B** BUZZER)



1 ALARM (A, B),
TIME SET (⊖, ⊕)

See illustration **K**.

- 1 Set the alarm time for radio/tape or buzzer.**
To set the radio/tape alarm: Keep the ALARM **A** (radio/tape) button depressed, press the TIME SET ⊖ or ⊕ button.
To set the buzzer alarm: Keep the ALARM **B** (buzzer) button depressed, press the TIME SET ⊖ or ⊕ button.

- 2 Set the function selector to the desired alarm position: SINGLE ALARM **A** RADIO/TAPE, SINGLE ALARM **B** BUZZER, or DUAL ALARM **A** RADIO/TAPE **B** BUZZER.**

For radio alarm

Tune in the desired station and adjust volume as described in "Radio Operation".

For tape alarm

Play back a recorded tape and adjust volume as described in "Tape Playback".

Leave the PLAY (STANDBY) (▶) button depressed.

At the preset time, playback will start automatically.

To stop the tape, press STOP/EJECT (■▲).

When the tape reaches its end and if the alarm duration still remains, the alarm shifts from tape to radio.

Notes

- The buzzer sound level is fixed, and independent of the VOLUME control.
- You can set the buzzer alarm and listen to the radio or tape. At the preset time, the buzzer and the radio or tape will sound simultaneously.

The radio, tape or buzzer will automatically sound at the preset time, and automatically turn itself off after 59 minutes, unless it is turned off manually.

To turn off the alarm manually, press the ALARM RESET/SLEEP OFF button.

The alarm will sound at the regular preset time on the following day.

Snooze Alarm Function

If you awake to the radio/tape or buzzer but want to doze for a few more minutes, just lightly press the DREAM BAR SNOOZE bar. The radio/tape or buzzer will be silenced but will automatically come on again after about 7 minutes. If you want to doze more, press the bar again.

Notes

- You can reset the alarm time while activation the snooze function.
- To cancel the alarm before the alarm time, set the function selector switch to RADIO OFF.
- To read out instantly the alarm preset time, press the ALARM button.

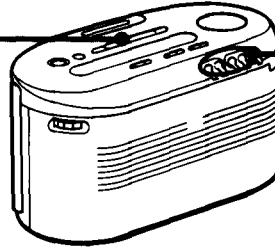
To Use Both Sleep Timer and Alarm Function

- 1 Set the alarm.** (See "How to Set the Alarm")
- 2 Set the sleep timer.** (See "How to Use the Sleep Timer")
- 3 Set the function selector switch to SINGLE ALARM **A** RADIO/TAPE, SINGLE ALARM **B** BUZZER or DUAL ALARM **A** RADIO/TAPE **B** BUZZER.**
You can fall asleep to the radio sound and you will be awakened by the radio/tape or buzzer alarm at the preset time.

How to Set the Alarm

K

2 SINGLE ALARM
(**A** RADIO/TAPE,
B BUZZER), DUAL ALARM
(**A** RADIO/TAPE **B** BUZZER)



1 ALARM (A, B),
TIME SET (⊖, ⊕)

See illustration **K**.

- 1 Set the alarm time for radio/tape or buzzer.**
To set the radio/tape alarm: Keep the ALARM (A) (radio/tape) button depressed, press the TIME SET ⊖ or ⊕ button.
To set the buzzer alarm: Keep the ALARM (B) (buzzer) button depressed, press the TIME SET ⊖ or ⊕ button.

- 2 Set the function selector to the desired alarm position: SINGLE ALARM (A) RADIO/TAPE, SINGLE ALARM (B) BUZZER, or DUAL ALARM (A) RADIO/TAPE (B) BUZZER.**

For radio alarm

Tune in the desired station and adjust volume as described in "Radio Operation".

For tape alarm

Play back a recorded tape and adjust volume as described in "Tape Playback".

Leave the PLAY (STANDBY) (▶) button depressed.

At the preset time, playback will start automatically.

To stop the tape, press STOP/EJECT (■▲).

When the tape reaches its end and if the alarm duration still remains, the alarm shifts from tape to radio.

Notes

- The buzzer sound level is fixed, and independent of the VOLUME control.
- You can set the buzzer alarm and listen to the radio or tape. At the preset time, the buzzer and the radio or tape will sound simultaneously.

The radio, tape or buzzer will automatically sound at the preset time, and automatically turn itself off after 59 minutes, unless it is turned off manually.

To turn off the alarm manually, press the ALARM RESET/SLEEP OFF button.

The alarm will sound at the regular preset time on the following day.

Snooze Alarm Function

If you awake to the radio/tape or buzzer but want to doze for a few more minutes, just lightly press the DREAM BAR SNOOZE bar. The radio/tape or buzzer will be silenced but will automatically come on again after about 7 minutes. If you want to doze more, press the bar again.

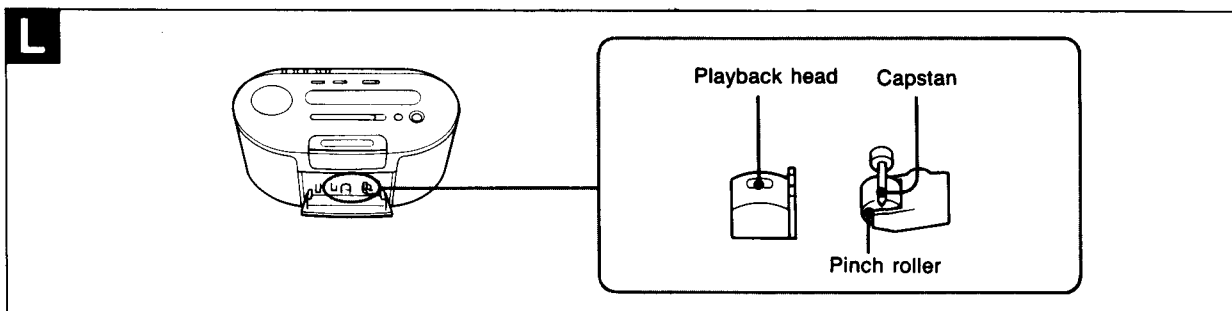
Notes

- You can reset the alarm time while activation the snooze function.
- To cancel the alarm before the alarm time, set the function selector switch to RADIO OFF.
- To read out instantly the alarm preset time, press the ALARM button.

To Use Both Sleep Timer and Alarm Function

- 1 Set the alarm.** (See "How to Set the Alarm")
- 2 Set the sleep timer.** (See "How to Use the Sleep Timer")
- 3 Set the function selector switch to SINGLE ALARM (A) RADIO/TAPE, SINGLE ALARM (B) BUZZER or DUAL ALARM (A) RADIO/TAPE (B) BUZZER.**
You can fall asleep to the radio sound and you will be awakened by the radio/tape or buzzer alarm at the preset time.

Maintenance



See illustration **L**.

Cleaning the head and tape path

We recommend cleaning after every 10 hours of operation.

Wipe the head, pinch roller and capstan with a cleaning tip slightly moistened with cleaning fluid or alcohol.

After cleaning the head, pinch roller and tape path, insert a cassette when the areas cleaned are completely dry.

Cleaning the cabinet

Clean the cabinet, panel and controls with a soft cloth slightly moistened with a mild detergent solution. Do not use any type of abrasive pad, scouring powder or solvent such as alcohol or benzine.

Troubleshooting

Should any problem occur with the unit, make the following simple checks to determine whether or not servicing is required.

If the problem persists, consult the nearest Sony dealer.

The clock does not show the correct time.

There has been an electrical power interruption.

The radio, tape or buzzer alarm sound does not come on at the preset time.

Check the followings:

• Is the function selector switch set correctly?

For radio or tape alarm: set to SINGLE ALARM

A RADIO/TAPE.

For buzzer alarm: set to SINGLE ALARM **B** BUZZER.

For dual alarm: set to DUAL ALARM **A** RADIO/TAPE

B BUZZER.

• For radio alarm, is the desired station tuned in?

• For tape alarm, is a recorded tape inserted?

Isn't the tape at its end?

• Is the VOLUME control adjusted correctly?

If it is down completely, the alarm sound will not be heard.

Be sure to turn up the volume.

The inserted cassette tape cannot be played back.

Is the function selector switch set correctly?


The tape cannot be played back when it is set to

SINGLE ALARM **A** RADIO/TAPE or DUAL ALARM

A RADIO/TAPE **B** BUZZER.


WARNING

To prevent fire or shock hazard, do not expose the unit to rain or moisture.

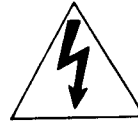


CAUTION

RISK OF ELECTRIC SHOCK
DO NOT OPEN



CAUTION : TO REDUCE THE RISK OF ELECTRIC SHOCK,
DO NOT REMOVE COVER (OR BACK).
NO USER-SERVICEABLE PARTS INSIDE.
REFER SERVICING TO QUALIFIED SERVICE PERSONNEL.



This symbol is intended to alert the user to the presence of uninsulated "dangerous voltage" within the product's enclosure that may be of sufficient magnitude to constitute a risk of electric shock to persons.



This symbol is intended to alert the user to the presence of important operating and maintenance (servicing) instructions in the literature accompanying the appliance.

* The graphical symbols are at the rear.

SONY

TRANSISTOR RADIO

LIMITED WARRANTY

SONY ELECTRONICS INC. ("SONY") warrants this product against defects in material or workmanship, as follows:

- For a period of 1 year from the date of purchase, SONY will pay the labor charges of your SONY authorized service facility to repair the defective product. After this 1 year period, you must pay for all labor charges.
- In addition, SONY will supply, at no charge, new or rebuilt replacements for defective parts for a period of 1 year from the original date of purchase.

To obtain warranty service, you must take the product, or deliver the product prepaid, to a SONY authorized service facility.

This warranty does not cover cosmetic damage, and damage due to acts of God, accident, misuse, abuse, or negligence to this product including antennas. This warranty is valid only in the United States of America.

Proof of purchase in the form of a bill of sale or receipted invoice which is evidence that the unit is within the warranty period must be presented to obtain warranty service.

This warranty is valid only if the serial number appears on the product.

REPAIR OR REPLACEMENT AS PROVIDED UNDER THIS WARRANTY IS THE EXCLUSIVE REMEDY OF THE CONSUMER. SONY SHALL NOT BE LIABLE FOR ANY INCIDENTAL OR CONSEQUENTIAL DAMAGES FOR BREACH OF ANY EXPRESS OR IMPLIED WARRANTY ON THIS PRODUCT, EXCEPT TO THE EXTENT PROHIBITED BY APPLICABLE LAW, ANY IMPLIED WARRANTY OF MERCHANTABILITY OR FITNESS FOR A PARTICULAR PURPOSE ON THIS PRODUCT IS LIMITED IN DURATION TO THE DURATION OF THIS WARRANTY.

Some states do not allow the exclusion or limitation of incidental or consequential damages, or allow limitations on how long an implied warranty lasts, so the above limitations or exclusion may not apply to you. This warranty gives you specific legal rights, and you may also have other rights which vary from state to state.

For your convenience, Sony Electronics Inc. has established the Customer Information Center to supply you with product or service information.

Important: If returning product for service, please see reverse side of this card for your nearest Sony Service Center.

SONY CUSTOMER INFORMATION CENTER
201-930-SONY (7669)
714-821-SONY (7669)
708-250-SONY (7669)

or write to:

Sony Customer Information Center
Sony Drive, Mail Drop #T1-11
Park Ridge, NJ 07656

SONY ELECTRONICS INC.
Sony Drive, Park Ridge, New Jersey 07656

Sony Service Centers

Arizona Phoenix 2240 North Scottsdale Road Terra, AZ 85281 (602) 949-7869	Hawaii Honolulu 950 Maunapuna Street Honolulu, HI 96818 (808) 834-0622	Missouri St. Louis 12462-D Nature Bridge Road Bridgeton, MO 63044 314-291-2201
California Burbank (Los Angeles area) 4100 Riverside Drive, Suite A Burbank, CA 91505 (818) 842-7869 Costa Mesa (Orange County area) 2728 Brand Street South Costa Mesa, CA 92626 (714) 549-4836 San Bruno (San Francisco area) 751 Camino Plaza San Bruno, CA 94066 (415) 871-2810 San Diego 8975 Complex Drive San Diego, CA 92123 (619) 279-2724 San Jose 1359 Old Oakland Road San Jose, CA 95112 (408) 280-7869	Illinois Chicago 1730 West Fullerton, Suite 4 Aurora Point Shopping Center Chicago, IL 60614 (312) 939-6556 Niles (Chicago N.W.) 7540 North Caldwell Avenue Niles, IL 60048 (708) 647-2400 Westmont (Chicago S.W.) 8038-38 South Cass Avenue Westmont, IL 60099 (708) 989-0049 Kansas Kansas City 11712 West 95th Street Overland Park KS 66214 (913) 888-2622 Maryland (Washington D.C.) Washington DC 5300 Sunnyside Avenue Beltsville, MD 20705 (301) 595-1818 Massachusetts Boston 390 University Avenue 128 Westwood Industrial Center Westwood, MA 02090 (617) 329-6130 Michigan Detroit 43304 Egan Mills Road Novi, MI 48050 (313) 344-0444 Minnesota 4300 W. 38th Street St. Louis Park, MN 55416 (612) 920-8300	New Jersey Mahwah (N.Y. Metropolitan Area) 286 Route 17 South Mahwah, NJ 07430 (201) 529-6656 Union Braden Shopping Center US Highway 22 At Morris Avenue Union, NJ 07083 (201) 887-5555 Ohio Cleveland 6370 York Road Parma Heights, OH 44130 (216) 845-7669 Pennsylvania Philadelphia 651 Park Avenue King of Prussia, PA 19406 (215) 768-8850 Pittsburgh Westford Plaza 10610 Perry Highway, Rt. 19N Westford, PA 15090 (412) 935-8466 Texas Dallas 401 Preston Valley Shopping Center Dallas, TX 75230 (214) 661-3527 Houston 7639 Westheimer Houston, TX 77063 (713) 783-8761 Washington Seattle, WA 98108 206-762-6500

Sony District Service Offices

Western Zone Mid-West District Sony Service Company 2728 Brand Street South Costa Mesa, CA 92626 (714) 549-4836 Northwestern District Sony Service Company 1359 Old Oakland Road San Jose, CA 95112 (408) 280-7875 Southeastern District Sony Service Company 3201 Pharr Dr., Suite 100 Irving, TX 75063 (214) 650-5270	Central Zone Mid-West District Sony Service Company 1200 N. Arlington Heights Rd. Itasca, IL 60143 (708) 773-7868 East Central District Sony Service Company 26200 Town Center Drive Suite 300 Nov. MI 48050 (313) 347-2251	Eastern Zone Eastern District Sony Service Company 286 Route 17 South Mahwah, NJ 07430 (201) 529-6656 Mid-Atlantic District Sony Service Company 651 Park Avenue King of Prussia, PA 19406 (215) 768-8845 Southeastern District Sony Service Company 120 Inverrary North Parkway East Suite 414 Atlanta, GA 30339 (404) 953-5858
--	--	--