

**SONY**

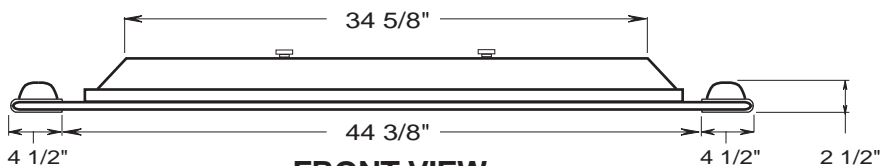
# KDE-42XBR950

DESCRIPTION: 42" Flat Panel TV  
 DIMENSIONS (WHD): 53 1/8" x 28 1/2" x 4 1/4"  
 WEIGHT: Approx 86 lbs

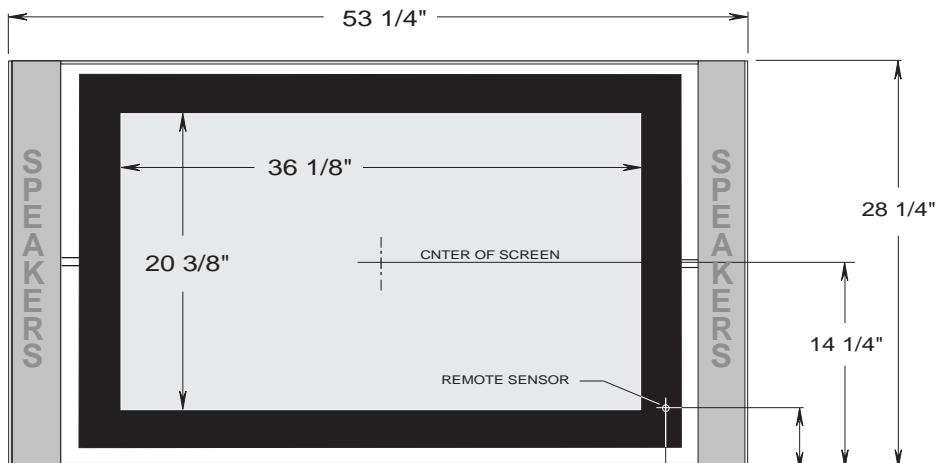
POWER REQUIREMENTS: 120V AC 60Hz  
 POWER CONSUMPTION: 430w .9 stby

## RM-Y1000 REMOTE CONTROL

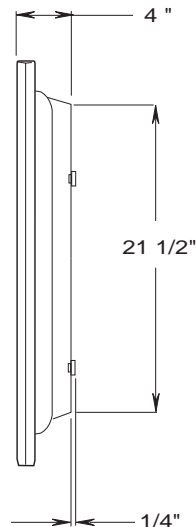
### TOP VIEW



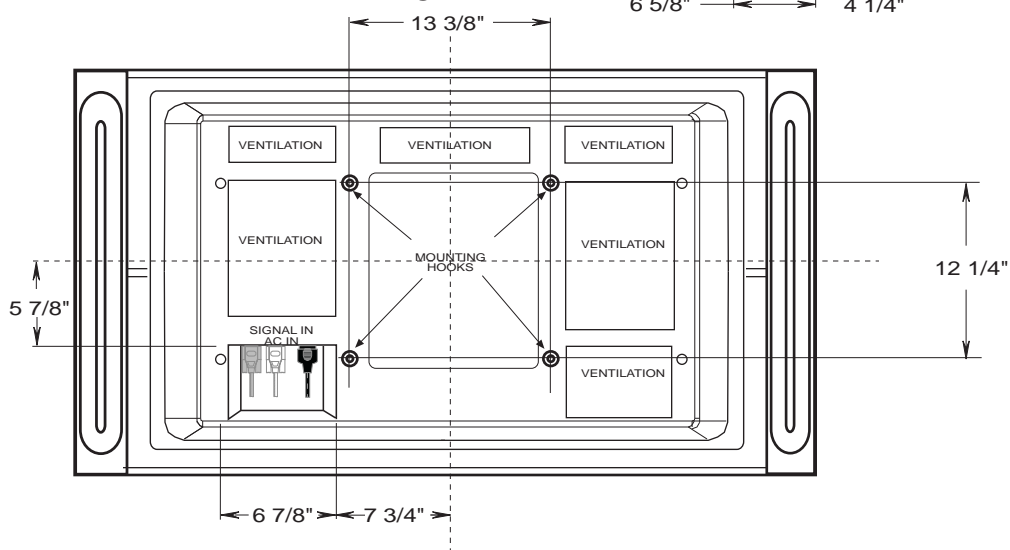
### FRONT VIEW



### SIDE VIEW



### BACK VIEW



**NOTE: SPEAKERS ARE NOT DETACHABLE!**

NOTE :  
 WHERE THERE ARE CLOSE TOLERANCES INVOLVED IN CABINET BUILDING OR APPLICATIONS WHICH REQUIRE A GREAT DEGREE OF PRECISION WE RECOMMEND THAT THE PRODUCT ITSELF BE USED TO MAKE THE ACTUAL MEASUREMENTS. SONY WILL NOT BE RESPONSIBLE FOR INACCURACIES IN THE DESIGN OR MANUFACTURE OF ENCLOSURES .