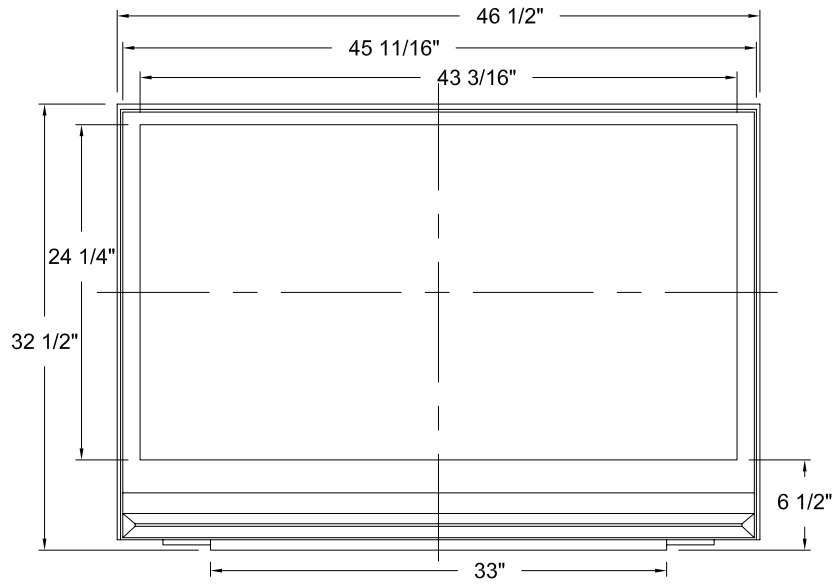


SONY

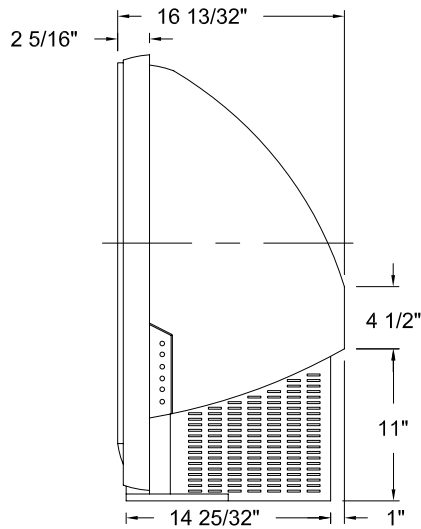
KDF-E50A10

DESCRIPTION: _____ POWER _____
DIMENSIONS _____ REQUIREMENTS: $\frac{120VAC}{60Hz}$
(WHD): $46 \frac{1}{2}'' \times 32 \frac{1}{2}'' \times 16 \frac{13}{32}''$ POWER _____
WEIGHT: _____ CONSUMPTION: _____

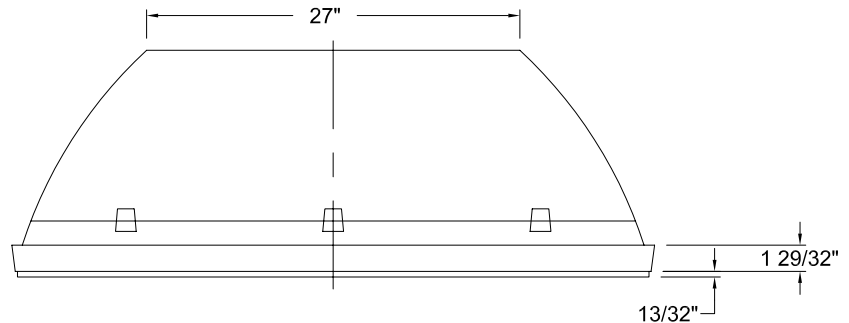
FRONT VIEW



SIDE VIEW



TOP VIEW



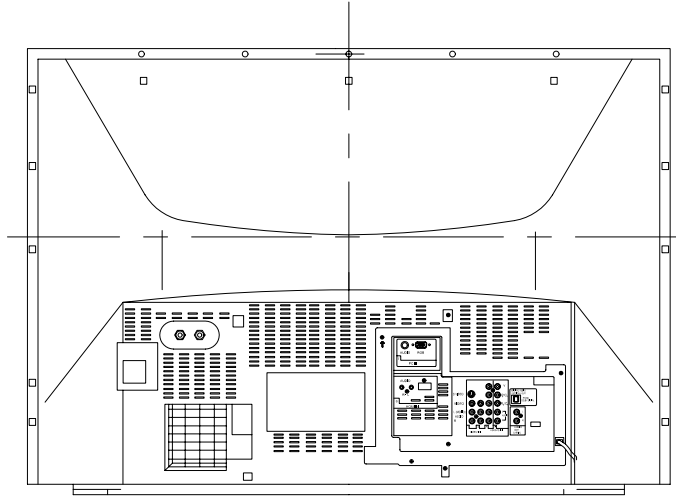
NOTE:
WHERE THERE ARE CLOSE TOLERANCES INVOLVED IN CABINET BUILDING
OR APPLICATIONS WHICH REQUIRE A GREAT DEGREE OF PRECISION WE
RECOMMEND THAT THE PRODUCT ITSELF BE USED TO MAKE THE ACTUAL
MEASUREMENTS. SONY WILL NOT BE RESPONSIBLE FOR INACCURACIES
IN THE DESIGN OR MANUFACTURE OF ENCLOSURES.

SONY

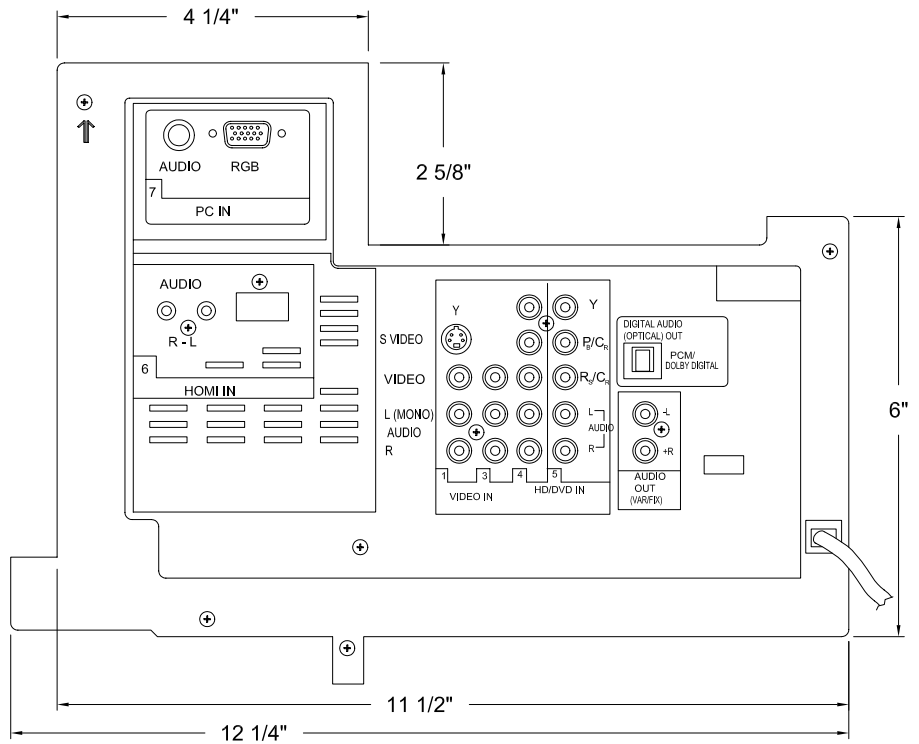
KDF-E50A10

DESCRIPTION: _____ POWER REQUIREMENTS: 120VAC
 DIMENSIONS REQUIREMENTS: 60Hz
 (WHD): 46 1/2"x32 1/2"x16 13/32" POWER
 WEIGHT: _____ CONSUMPTION: _____

BACK VIEW



JACK PACK



NOTE:
 WHERE THERE ARE CLOSE TOLERANCES INVOLVED IN CABINET BUILDING OR APPLICATIONS WHICH REQUIRE A GREAT DEGREE OF PRECISION WE RECOMMEND THAT THE PRODUCT ITSELF BE USED TO MAKE THE ACTUAL MEASUREMENTS. SONY WILL NOT BE RESPONSIBLE FOR INACCURACIES IN THE DESIGN OR MANUFACTURE OF ENCLOSURES.