

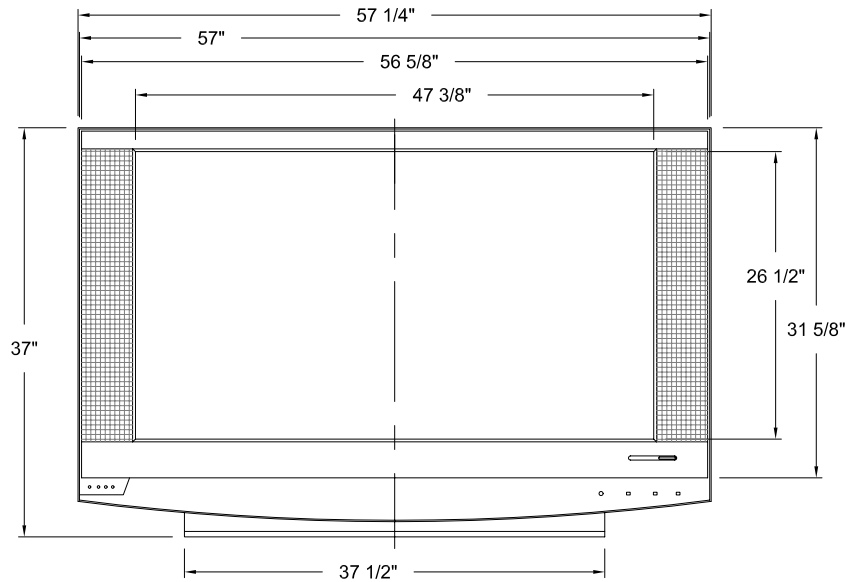
SONY

KDF-E55A20

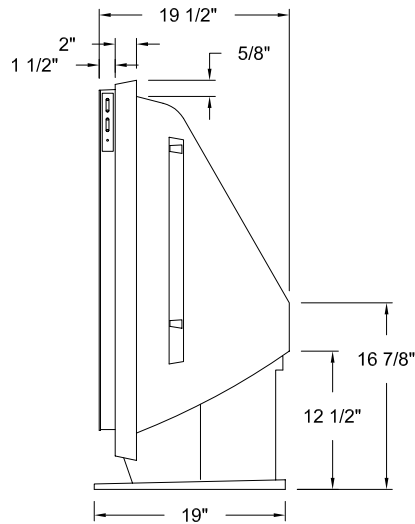
DESCRIPTION: _____
DIMENSIONS
(WHD): 57 1/4" x 37" x 19"
WEIGHT: _____

POWER REQUIREMENTS: 120VAC
POWER 60Hz
CONSUMPTION: _____

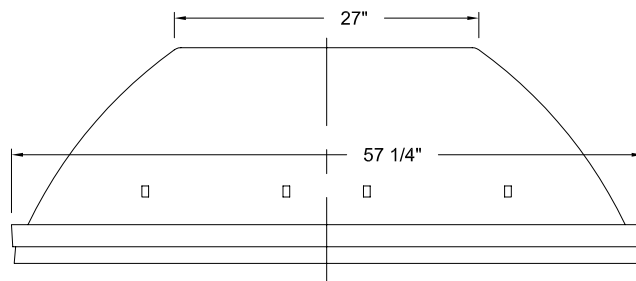
FRONT VIEW



SIDE VIEW



TOP VIEW



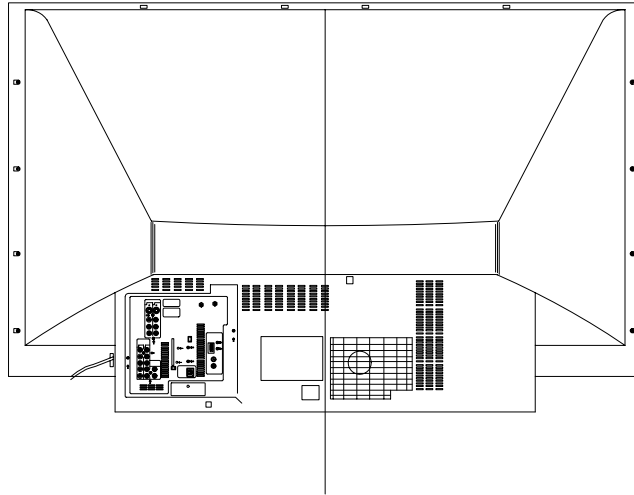
NOTE:
WHERE THERE ARE CLOSE TOLERANCES INVOLVED IN CABINET BUILDING
OR APPLICATIONS WHICH REQUIRE A GREAT DEGREE OF PRECISION WE
RECOMMEND THAT THE PRODUCT ITSELF BE USED TO MAKE THE ACTUAL
MEASUREMENTS. SONY WILL NOT BE RESPONSIBLE FOR INACCURACIES
IN THE DESIGN OR MANUFACTURE OF ENCLOSURES.

SONY

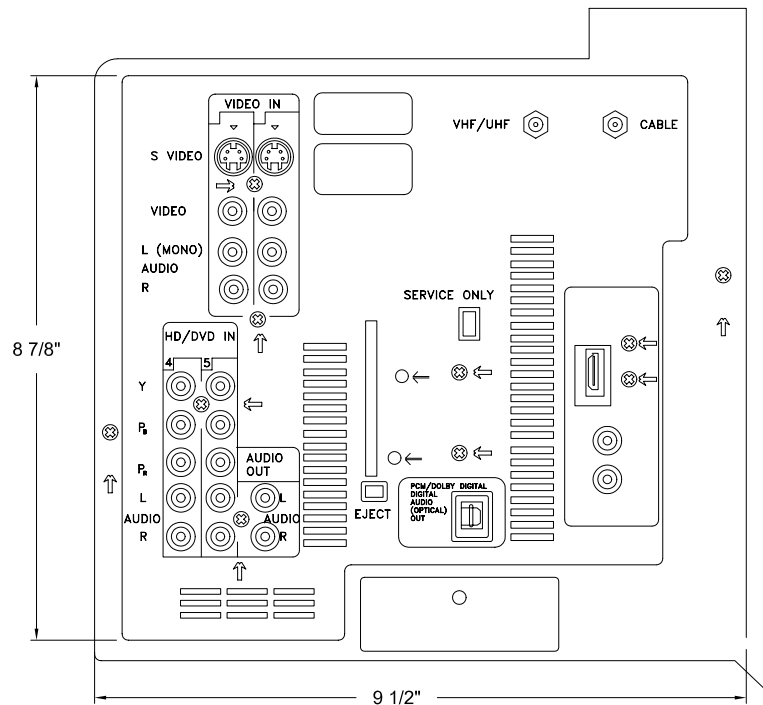
KDF-E55A20

DESCRIPTION: _____ POWER REQUIREMENTS: 120VAC
DIMENSIONS (WHD): 57 1/4" x 37" x 19" POWER 60Hz
WEIGHT: _____ CONSUMPTION: _____

BACK VIEW



JACK PACK



NOTE:
WHERE THERE ARE CLOSE TOLERANCES INVOLVED IN CABINET BUILDING
OR APPLICATIONS WHICH REQUIRE A GREAT DEGREE OF PRECISION WE
RECOMMEND THAT THE PRODUCT ITSELF BE USED TO MAKE THE ACTUAL
MEASUREMENTS. SONY WILL NOT BE RESPONSIBLE FOR INACCURACIES
IN THE DESIGN OR MANUFACTURE OF ENCLOSURES.