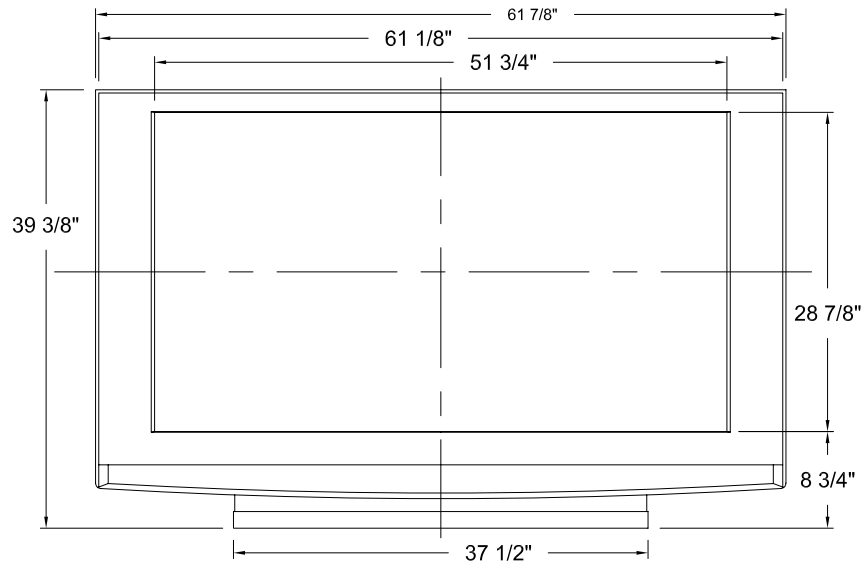


**SONY**

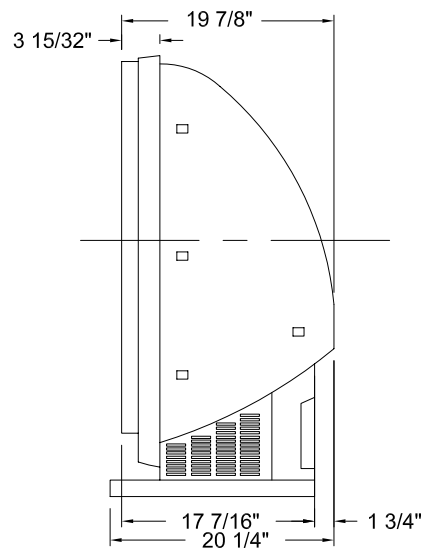
**KDF-E60A20**

DESCRIPTION: \_\_\_\_\_ POWER  
DIMENSIONS REQUIREMENTS: 120VAC  
(WHD): 61 7/8"x39 3/8"x20 1/4" POWER 60Hz  
WEIGHT: \_\_\_\_\_ CONSUMPTION: \_\_\_\_\_

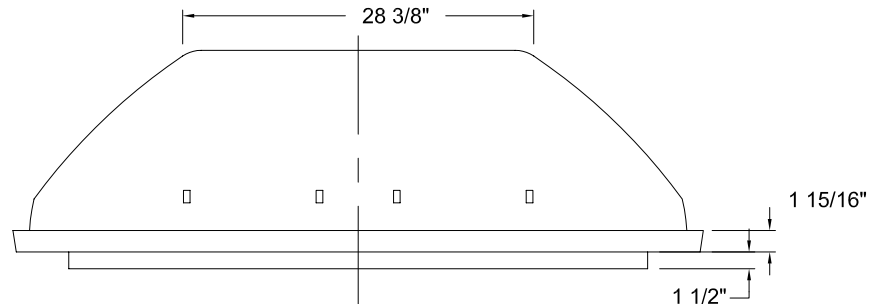
**FRONT VIEW**



**SIDE VIEW**



**TOP VIEW**



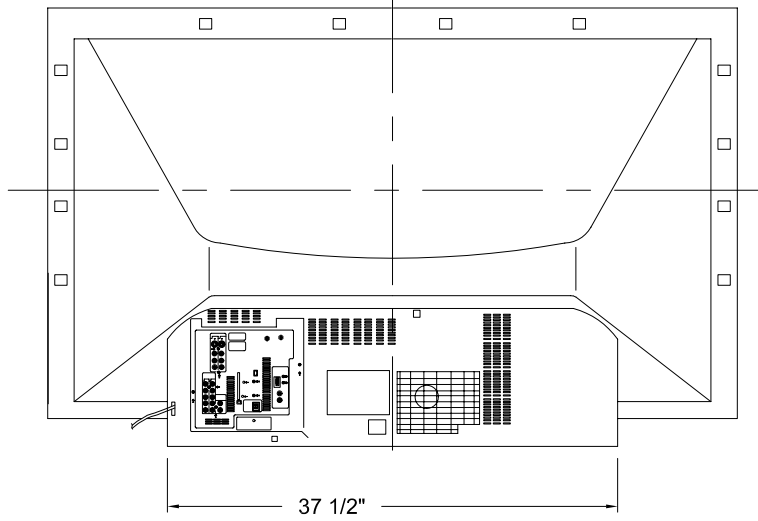
NOTE:  
WHERE THERE ARE CLOSE TOLERANCES INVOLVED IN CABINET BUILDING  
OR APPLICATIONS WHICH REQUIRE A GREAT DEGREE OF PRECISION WE  
RECOMMEND THAT THE PRODUCT ITSELF BE USED TO MAKE THE ACTUAL  
MEASUREMENTS. SONY WILL NOT BE RESPONSIBLE FOR INACCURACIES  
IN THE DESIGN OR MANUFACTURE OF ENCLOSURES.

**SONY**

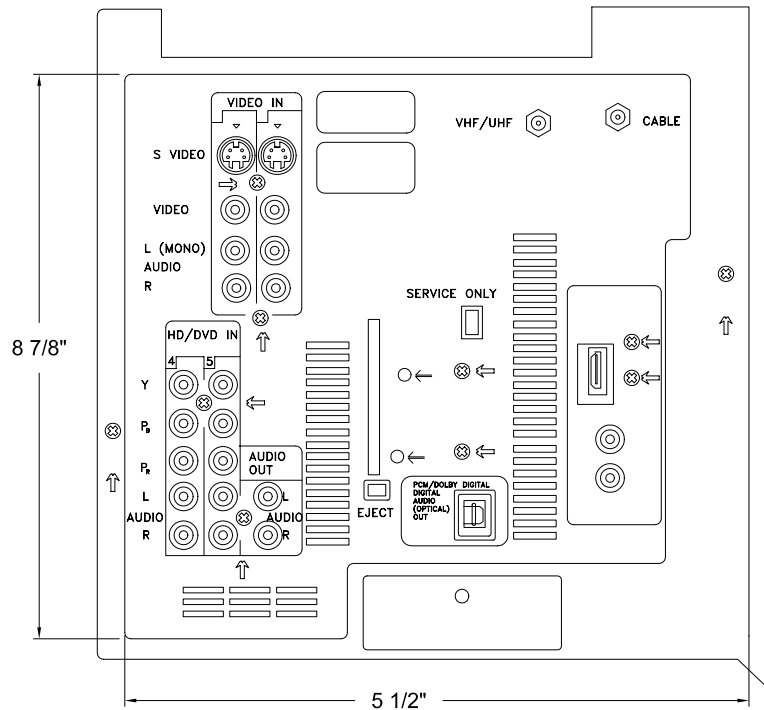
**KDF-E60A20**

DESCRIPTION: \_\_\_\_\_ POWER REQUIREMENTS: 120VAC  
DIMENSIONS (WHD): 61 7/8"x39 3/8"x20 1/4" POWER 60Hz  
WEIGHT: \_\_\_\_\_ CONSUMPTION: \_\_\_\_\_

**BACK VIEW**



**JACK PACK**



NOTE:  
WHERE THERE ARE CLOSE TOLERANCES INVOLVED IN CABINET BUILDING OR APPLICATIONS WHICH REQUIRE A GREAT DEGREE OF PRECISION WE RECOMMEND THAT THE PRODUCT ITSELF BE USED TO MAKE THE ACTUAL MEASUREMENTS. SONY WILL NOT BE RESPONSIBLE FOR INACCURACIES IN THE DESIGN OR MANUFACTURE OF ENCLOSURES.