

SONY

Model: KDL-26M4000

Description: LCD TV

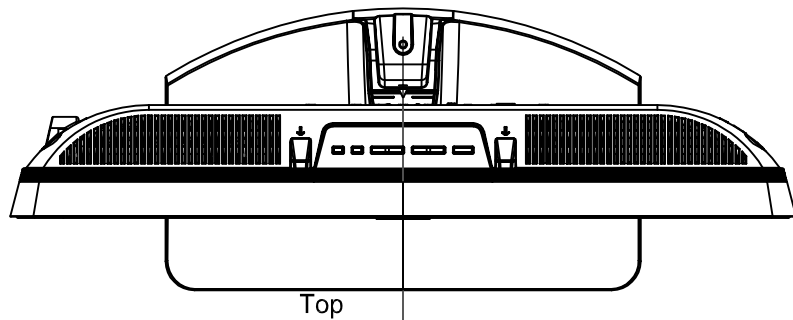
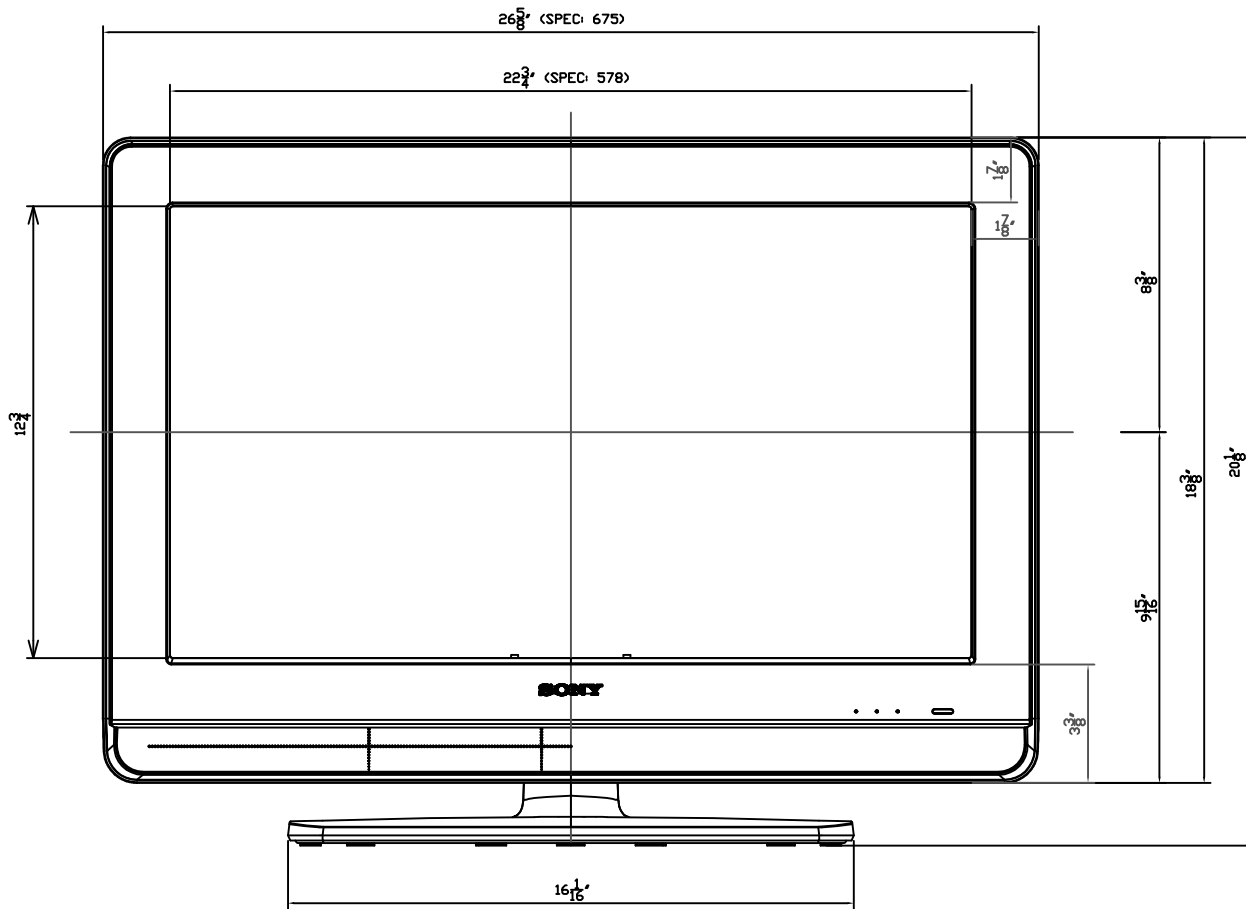
Dimensions: 26⁵/₈" 20¹/₈" 9¹/₂"

(WHD): 26⁵/₈" 18³/₈" 3⁷/₈" w/o stand

Weight: 27lb

Carton Dimensions: 34⁵/₈" 21⁵/₈" 8¹/₂" (WHD):

Power requirements: 120V AC 60HZ



NOTE:

WHERE THERE ARE CLOSE TOLERANCES INVOLVED IN CABINET BUILDING OR APPLICATIONS WHICH REQUIRE A GREAT DEGREE OF PRECISION, WE RECOMMEND THAT THE PRODUCT ITSELF BE USED TO MAKE THE ACTUAL MEASUREMENTS. SONY WILL NOT BE HELD RESPONSIBLE FOR INACCURACIES IN THE DESIGN OR MANUFACTURE OF ENCLOSURES.

Consumer Integrated Systems - Park Ridge, New Jersey 07656 - Fax (201)930-7891 - www.sony.com/dn

Features and specifications subject to change without notice. Non-Metric weights and measurements are approximate.

SONY

Model: KDL-26M4000

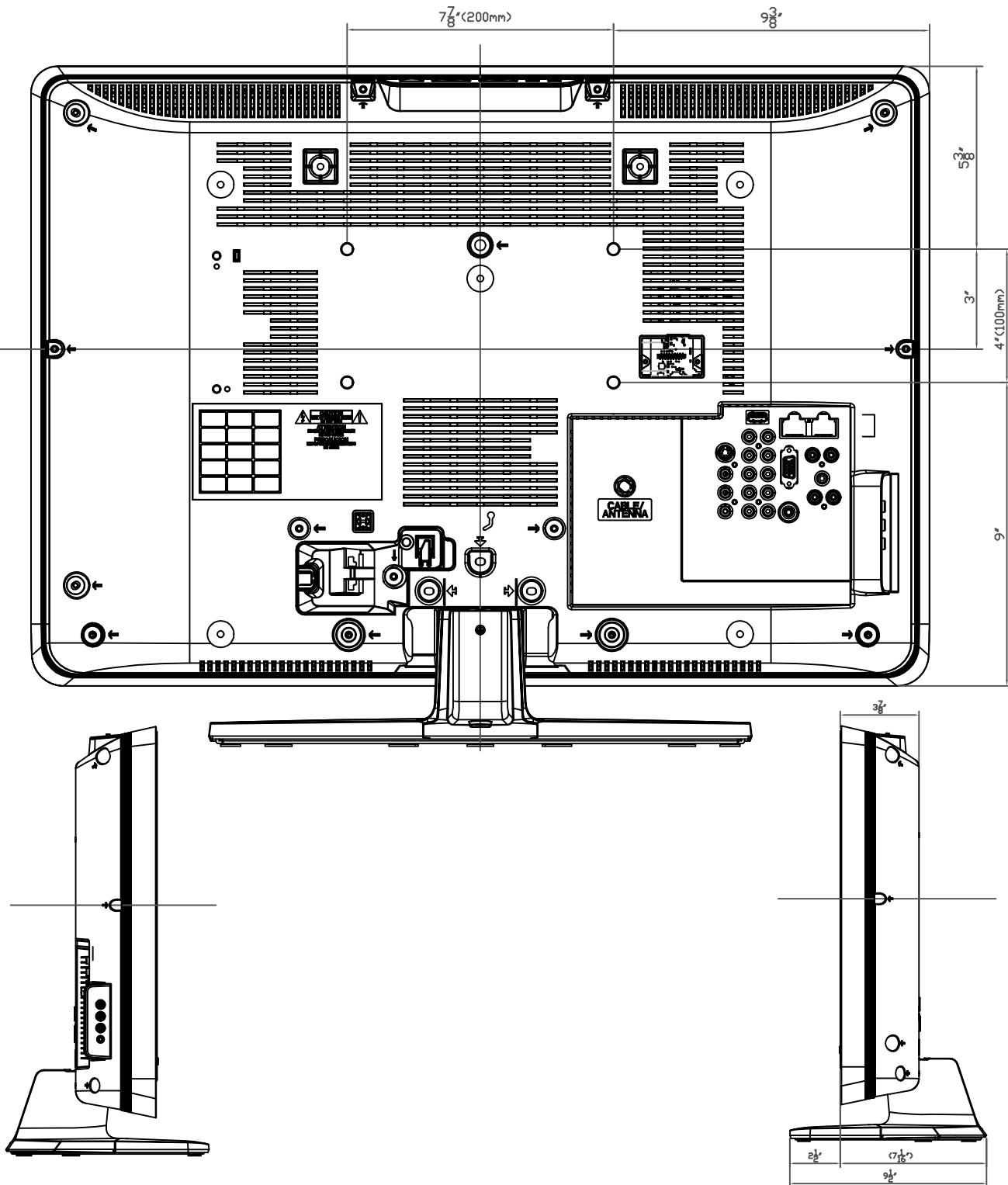
Description: LCD TV

Dimensions: 26⁵/₈" 20¹/₈" 9¹/₂"

(WHD): 26⁵/₈" 18³/₈" 3⁷/₈" w/o stand
Weight: 27lb

Carton Dimensions: 34⁵/₈" 21⁵/₈" 8¹/₂"
(WHD):

Power requirements: 120V AC
60HZ



NOTE:
 WHERE THERE ARE CLOSE TOLERANCES INVOLVED IN CABINET BUILDING OR APPLICATIONS WHICH REQUIRE A GREAT DEGREE OF PRECISION, WE RECOMMEND THAT THE PRODUCT ITSELF BE USED TO MAKE THE ACTUAL MEASUREMENTS. SONY WILL NOT BE HELD RESPONSIBLE FOR INACCURACIES IN THE DESIGN OR MANUFACTURE OF ENCLOSURES.

Consumer Integrated Systems - Park Ridge, New Jersey 07656 - Fax (201)930-7891 - www.sony.com/dn

Features and specifications subject to change without notice. Non-Metric weights and measurements are approximate.

SONY

Model: KDL-26M4000

Description: LCD TV

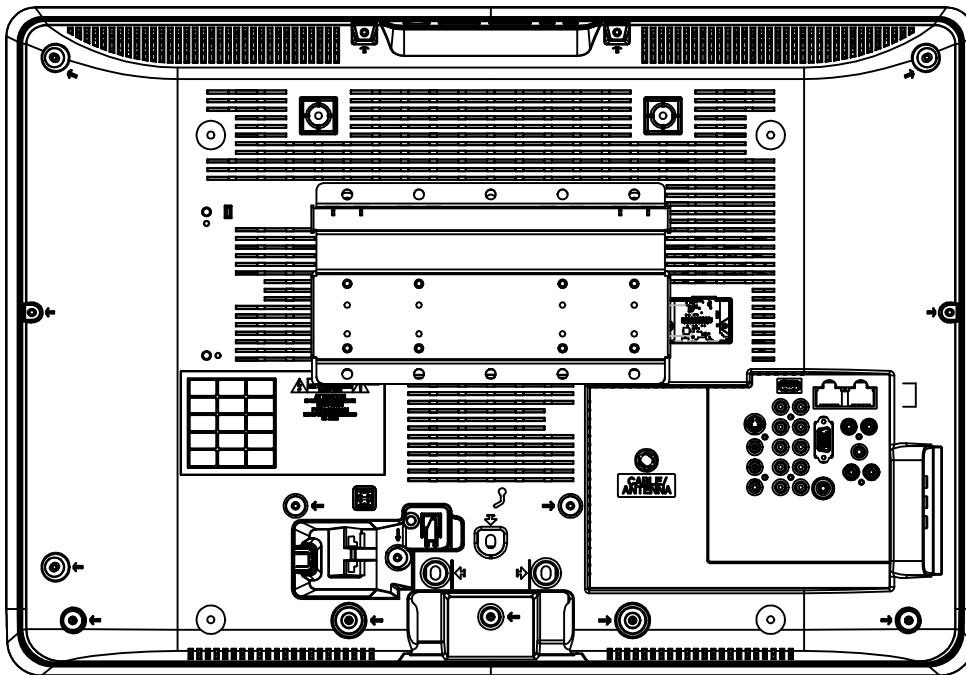
Dimensions: 26⁵/₈" 20¹/₈" 9¹/₂"

(WHD): 26⁵/₈" 18³/₈" 3⁷/₈" w/o stand

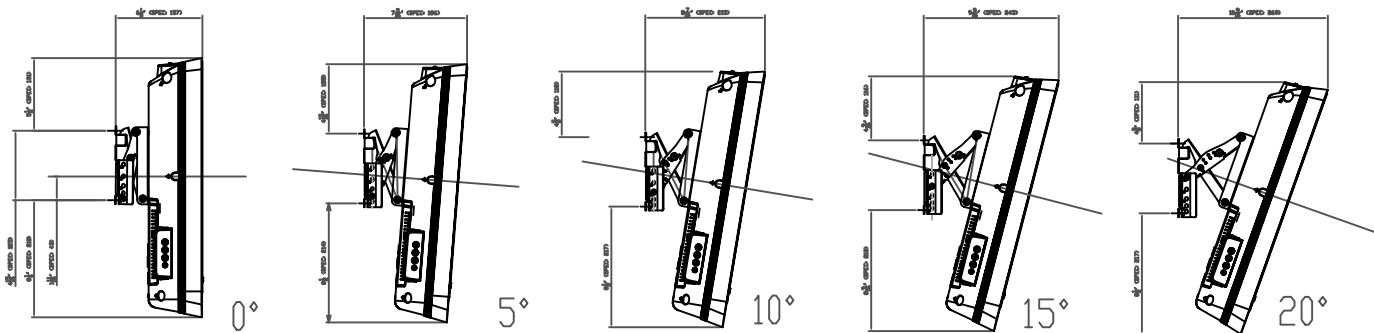
Weight: 27lb

Carton Dimensions: 34⁵/₈" 21⁵/₈" 8¹/₂" (WHD):

Power requirements: 120V AC 60HZ



WALL MOUNT STAND SU-WL100



NOTE:
 WHERE THERE ARE CLOSE TOLERANCES INVOLVED IN CABINET BUILDING OR APPLICATIONS WHICH REQUIRE A GREAT DEGREE OF PRECISION, WE RECOMMEND THAT THE PRODUCT ITSELF BE USED TO MAKE THE ACTUAL MEASUREMENTS. SONY WILL NOT BE HELD RESPONSIBLE FOR INACCURACIES IN THE DESIGN OR MANUFACTURE OF ENCLOSURES.

Consumer Integrated Systems - Park Ridge, New Jersey 07656 - Fax (201)930-7891 - www.sony.com/dn

Features and specifications subject to change without notice. Non-Metric weights and measurements are approximate.