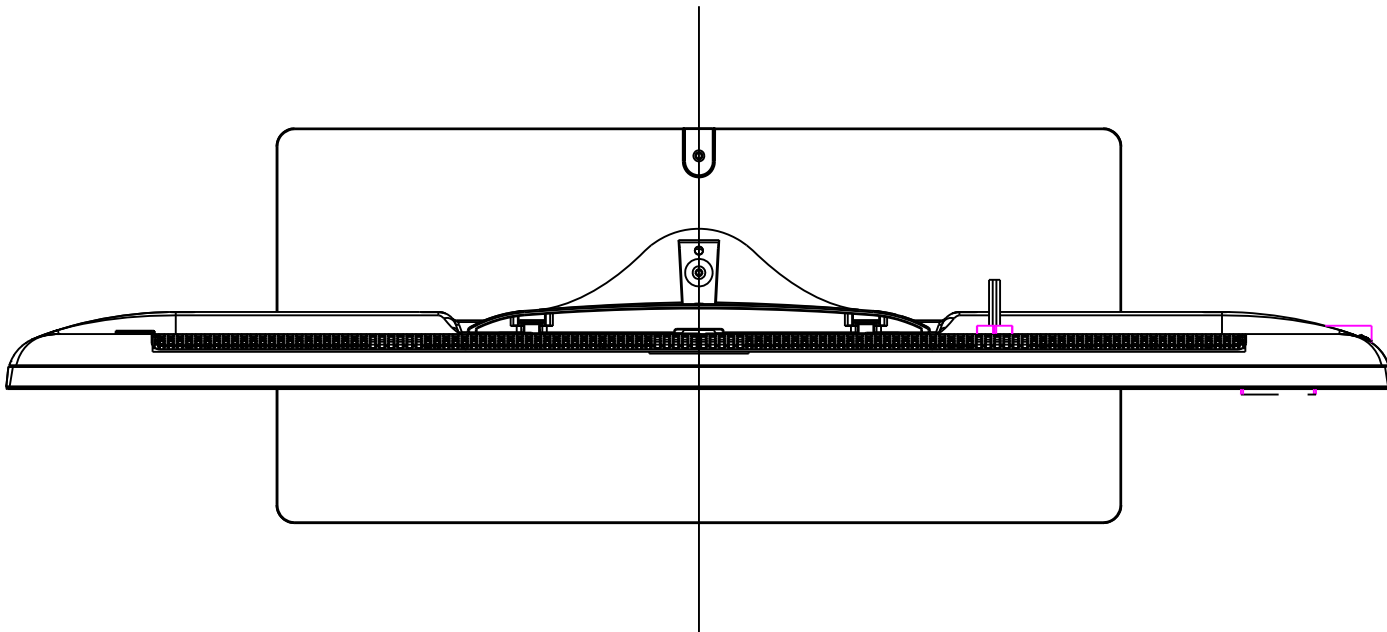
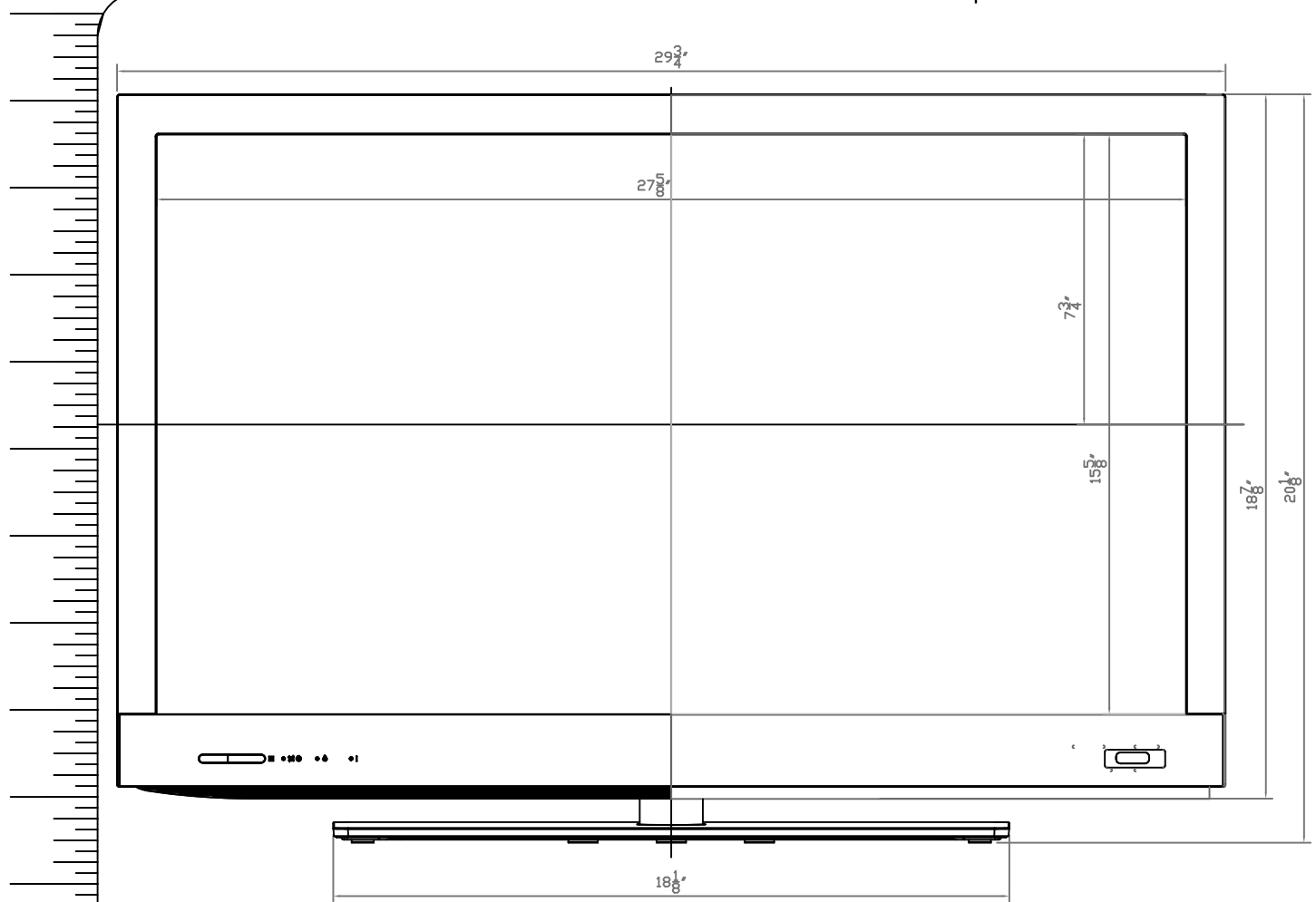


SONY

Model: KDL-32EX729

Description: LCD TV  
Dimensions: 29 $\frac{3}{4}$ " 20 $\frac{1}{8}$ " 8 $\frac{1}{2}$ "  
(WHD): 29-3/4" 18-7/8" 2-1/8"  
w/o stand  
Weight: 30 lb

Carton Dimensions: tbd  
(WHD):  
Power 120V AC  
requirements: 60HZ



Top

NOTE:

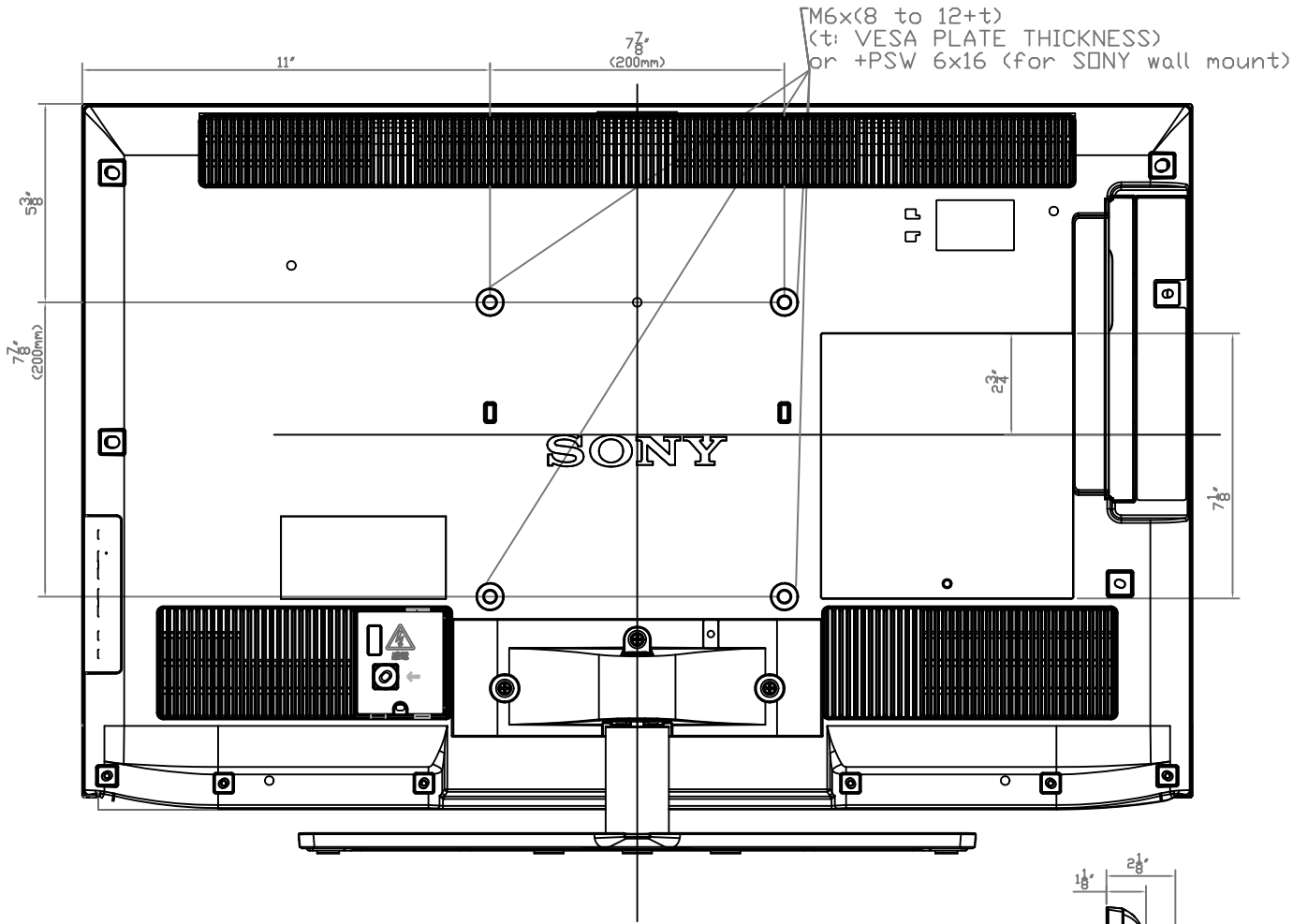
WHERE THERE ARE CLOSE TOLERANCES INVOLVED IN CABINET BUILDING OR APPLICATIONS WHICH REQUIRE A GREAT DEGREE OF PRECISION, WE RECOMMEND THAT THE PRODUCT ITSELF BE USED TO MAKE THE ACTUAL MEASUREMENTS. SONY WILL NOT BE HELD RESPONSIBLE FOR INACCURACIES IN THE DESIGN OR MANUFACTURE OF ENCLOSURES.

SONY

Model: KDL-32EX729

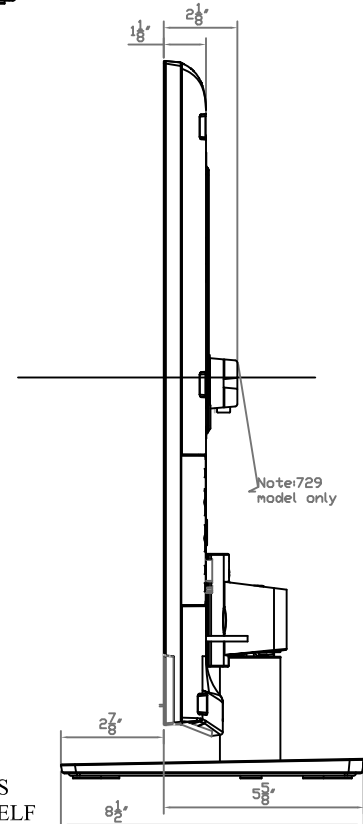
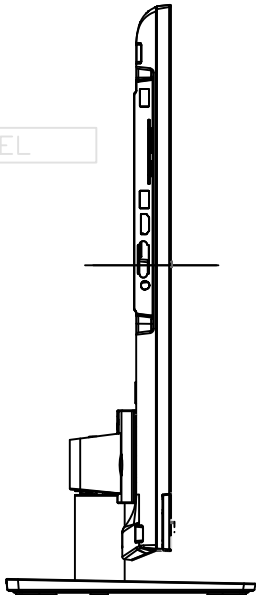
Description: LCD TV  
Dimensions: 29<sup>3</sup>/<sub>4</sub>" 20<sup>1</sup>/<sub>8</sub>" 8<sup>1</sup>/<sub>2</sub>"  
(WHD): 29-3/4" 18-7/8" 2-1/8"  
w/o stand  
Weight: 30 lb

Carton Dimensions: tbd  
(WHD):  
Power 120V AC  
requirements: 60HZ



M6x(8 to 12+t)  
(t: VESA PLATE THICKNESS)  
or +PSW 6x16 (for SONY wall mount)

PANEL  
C.L.



NOTE:  
WHERE THERE ARE CLOSE TOLERANCES INVOLVED IN CABINET BUILDING OR APPLICATIONS WHICH REQUIRE A GREAT DEGREE OF PRECISION, WE RECOMMEND THAT THE PRODUCT ITSELF BE USED TO MAKE THE ACTUAL MEASUREMENTS. SONY WILL NOT BE HELD RESPONSIBLE FOR INACCURACIES IN THE DESIGN OR MANUFACTURE OF ENCLOSURES.

Sony Installation Support - (866)924-7669 - [www.sony.com/dn](http://www.sony.com/dn)

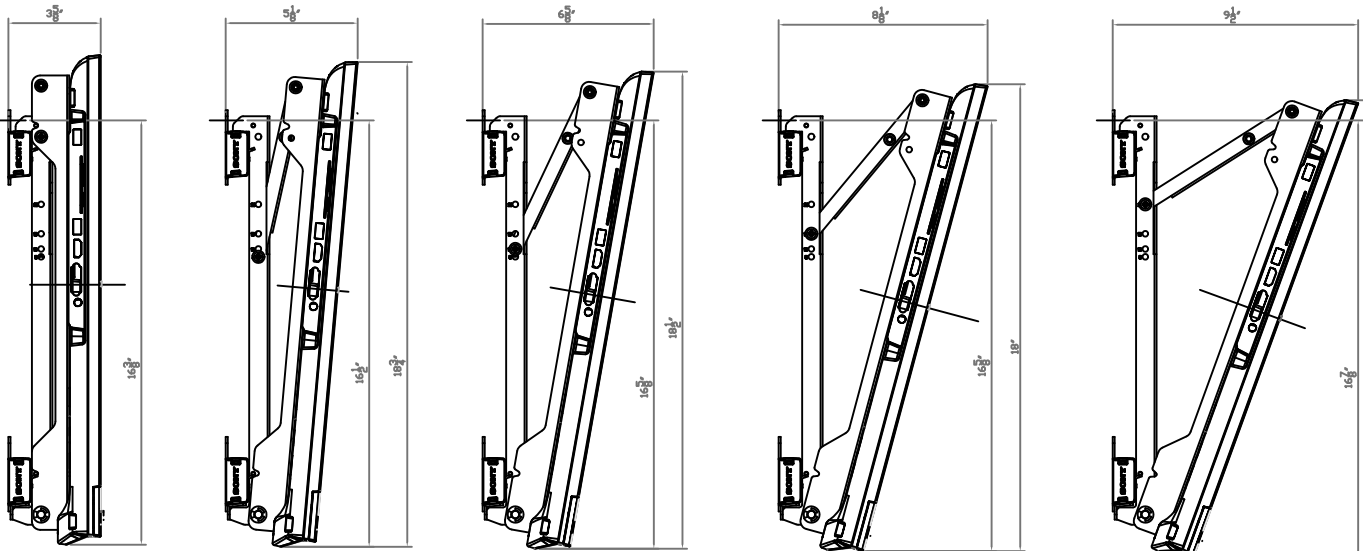
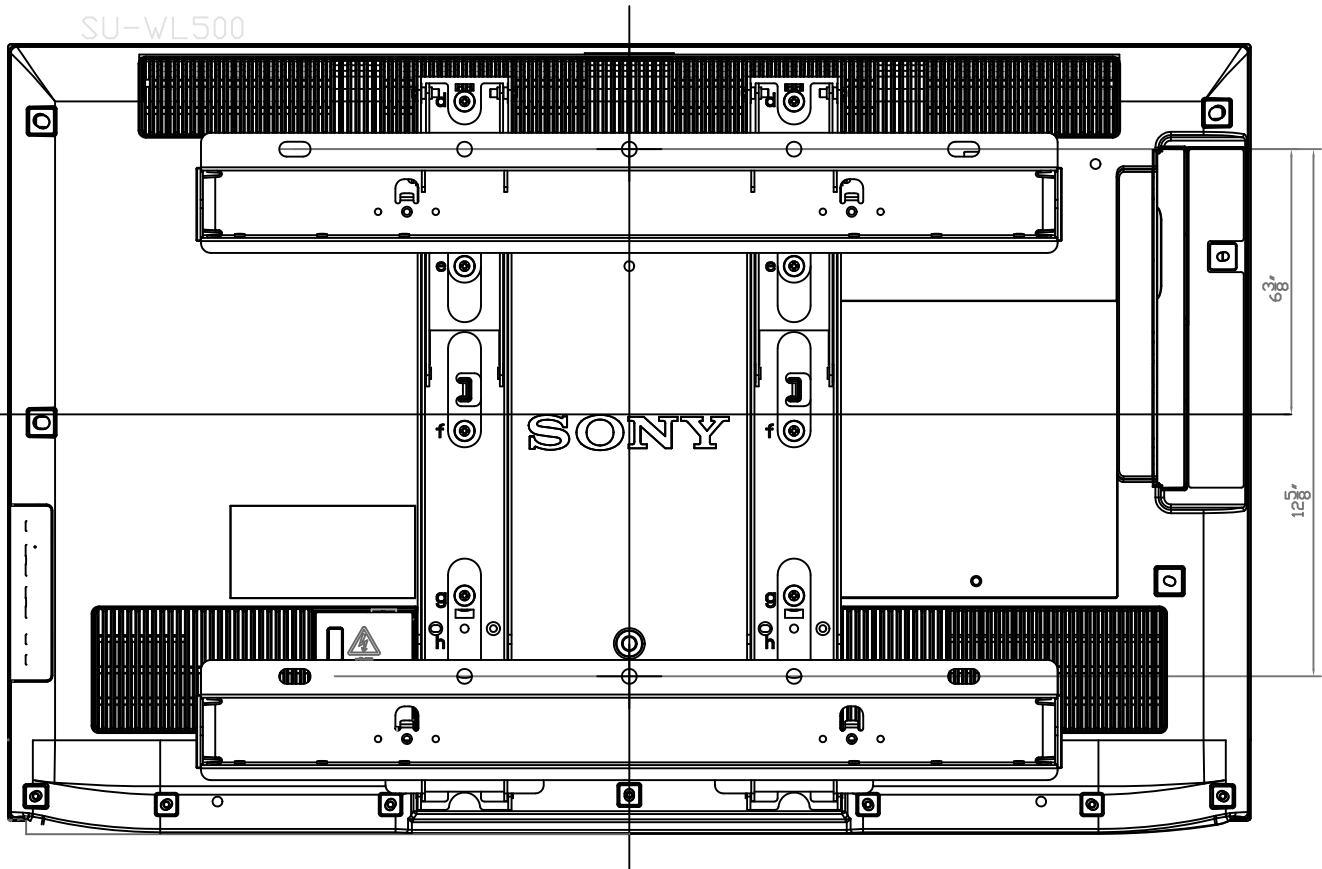
Features and specifications subject to change without notice. Non-Metric weights and measurements are approximate.

**SONY**  
**Model:KDL-32EX729**

Description: LCD TV  
 Dimensions: 29 $\frac{3}{4}$ " 20 $\frac{1}{8}$ " 8 $\frac{1}{2}$ "  
 (WHD); 29-3/4" 18-7/8" 2-1/8"  
 w/o stand  
 Weight: 30 lb

Carton Dimensions: tbd  
 (WHD):  
 Power 120V AC  
 requirements: 60HZ

SU-WL500



0°      5°      10°      15°      20°

NOTE:  
 WHERE THERE ARE CLOSE TOLERANCES INVOLVED IN CABINET BUILDING OR APPLICATIONS WHICH REQUIRE A GREAT DEGREE OF PRECISION, WE RECOMMEND THAT THE PRODUCT ITSELF BE USED TO MAKE THE ACTUAL MEASUREMENTS. SONY WILL NOT BE HELD RESPONSIBLE FOR INACCURACIES IN THE DESIGN OR MANUFACTURE OF ENCLOSURES.