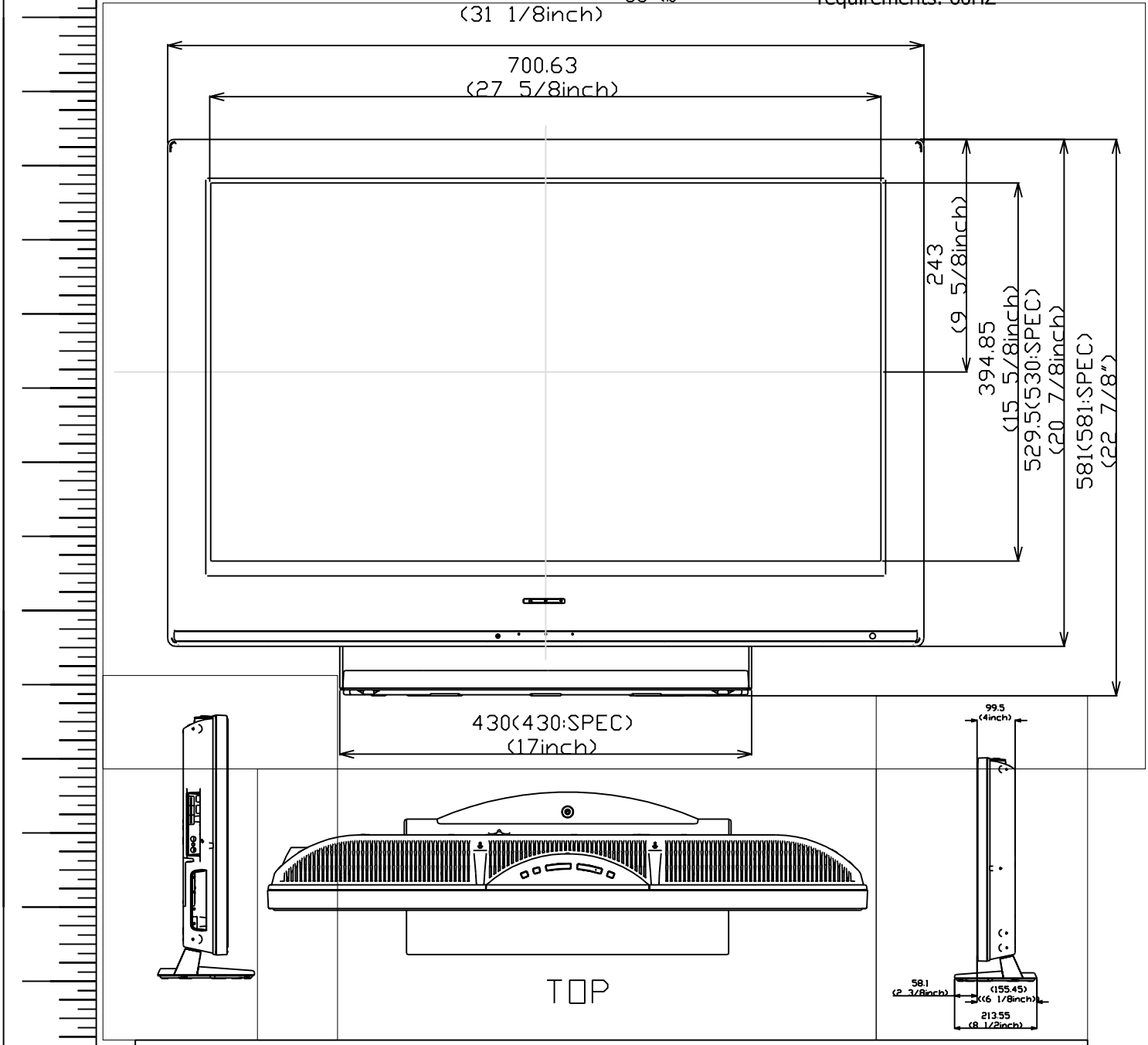


SONY

Model: KDL-32S3000

Description:  
Dimensions: 31 1/8" 20 7/8" 4"  
(WHD): 31 1/8" 22 7/8" 8 1/2" with stand"  
Weight: 38 lb

Power 120V AC  
requirements: 60HZ  
Power 120V AC  
requirements: 60HZ



Note: This drawing is based on prototype and/or pre-production models, not final product and should be used to estimate space and electrical requirements only!

NOTE:  
WHERE THERE ARE CLOSE TOLERANCES INVOLVED IN CABINET BUILDING OR APPLICATIONS WHICH REQUIRE A GREAT DEGREE OF PRECISION, WE RECOMMEND THAT THE PRODUCT ITSELF BE USED TO MAKE THE ACTUAL MEASUREMENTS. SONY WILL NOT BE HELD RESPONSIBLE FOR INACCURACIES IN THE DESIGN OR MANUFACTURE OF ENCLOSURES.

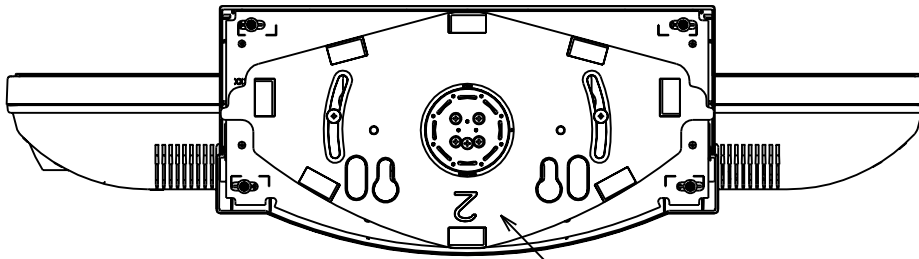
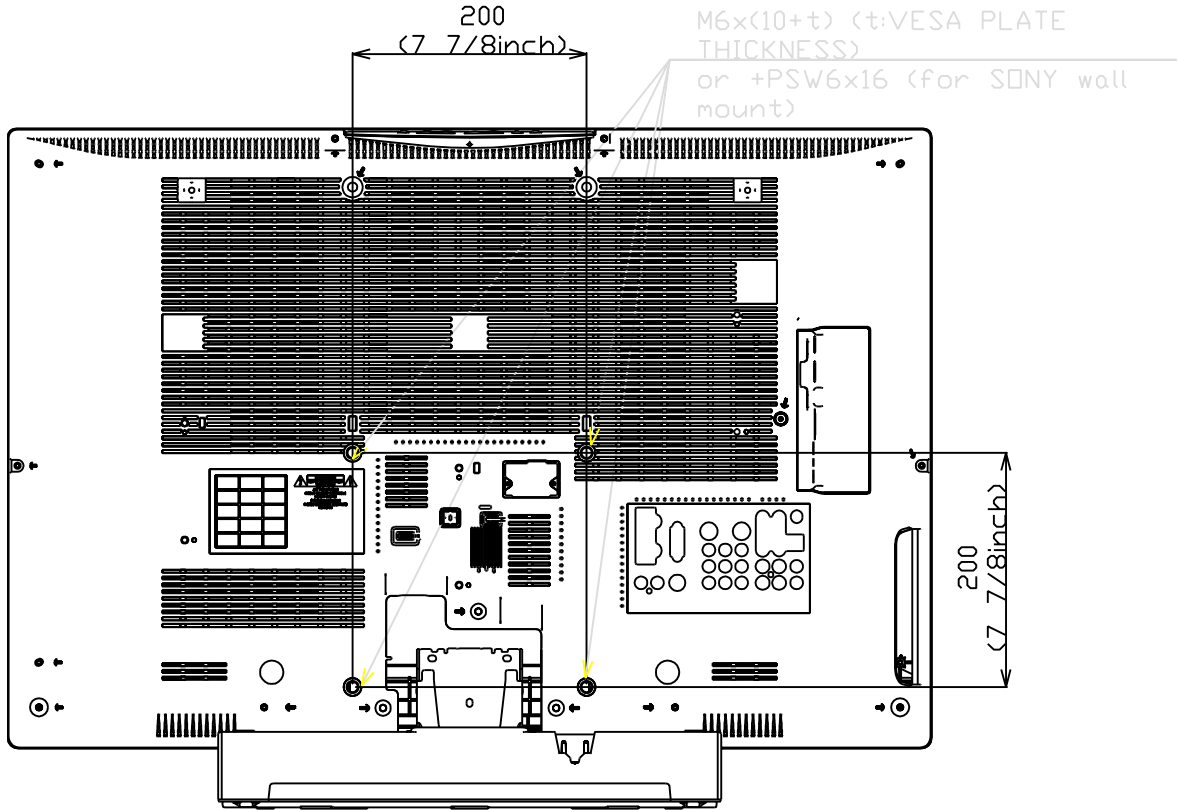
Sony Electronics - Park Ridge, New Jersey 07656 - Fax (201)930-7891 - www.sony.com/dn

Features and specifications subject to change without notice. Non-Metric weights and measurements are approximate.

SONY

Model: KDL-32S3000

Description:	Power	120V AC
Dimensions: 31½" 20⅞" 4"	requirements:	60HZ
(WHD): 31½" 22⅞" 8½" with stand"	Power	120V AC
Weight: 38 lb	requirements:	60HZ



U/C, AEP and UK models have no swivel.

Note: This drawing is based on prototype and/or pre-production models, not final product and should be used to estimate space and electrical requirements only!

NOTE:  
WHERE THERE ARE CLOSE TOLERANCES INVOLVED IN CABINET BUILDING OR APPLICATIONS WHICH REQUIRE A GREAT DEGREE OF PRECISION, WE RECOMMEND THAT THE PRODUCT ITSELF BE USED TO MAKE THE ACTUAL MEASUREMENTS. SONY WILL NOT BE HELD RESPONSIBLE FOR INACCURACIES IN THE DESIGN OR MANUFACTURE OF ENCLOSURES.

Sony Electronics - Park Ridge, New Jersey 07656 - Fax (201)930-7891 - www.sony.com/dn

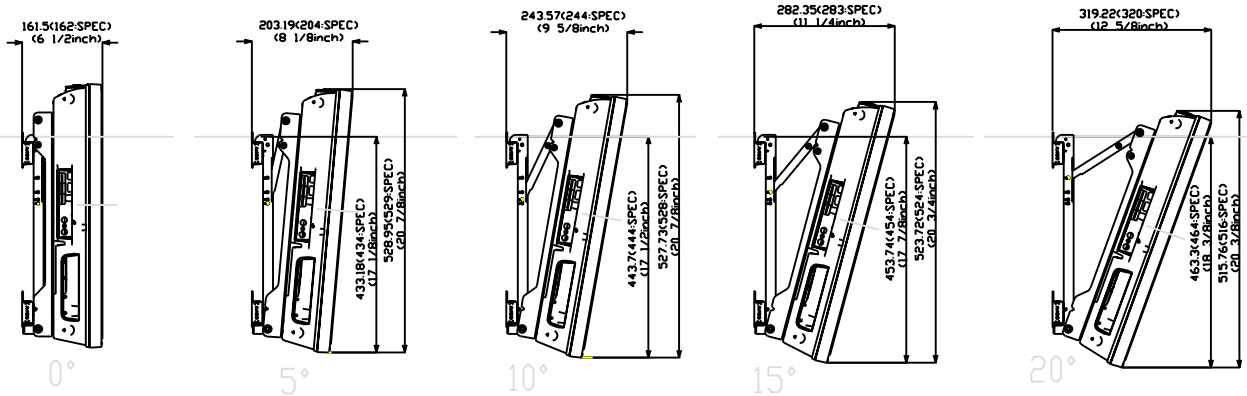
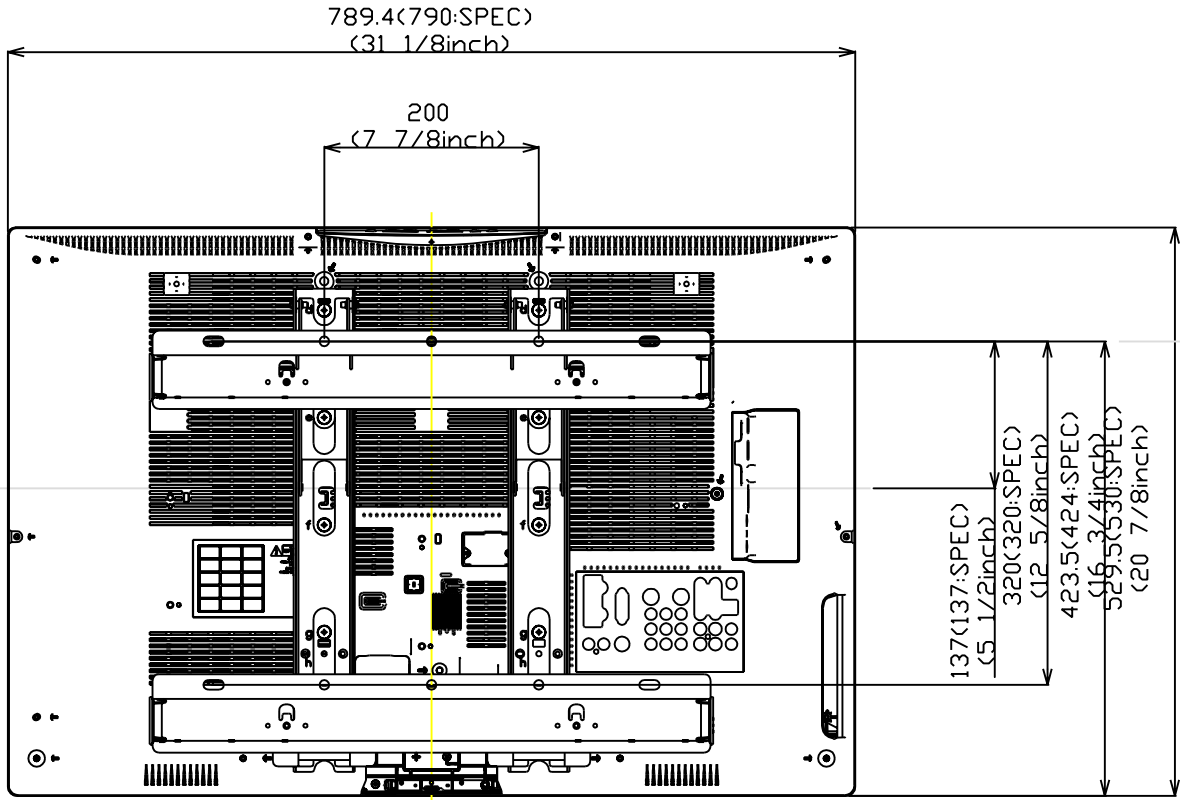
Features and specifications subject to change without notice. Non-Metric weights and measurements are approximate.

SONY

Model: KDL-32S3000

Description:  
Dimensions: 31 1/8" 20 7/8" 4"  
(WHD): 31 1/8" 22 7/8" 8 1/2" with stand"  
Weight: 38 lb

Power 120V AC  
requirements: 60HZ  
Power 120V AC  
requirements: 60HZ



Note: This drawing is based on prototype and/or pre-production models, not final product and should be used to estimate space and electrical requirements only!

NOTE:  
WHERE THERE ARE CLOSE TOLERANCES INVOLVED IN CABINET BUILDING OR APPLICATIONS WHICH REQUIRE A GREAT DEGREE OF PRECISION, WE RECOMMEND THAT THE PRODUCT ITSELF BE USED TO MAKE THE ACTUAL MEASUREMENTS. SONY WILL NOT BE HELD RESPONSIBLE FOR INACCURACIES IN THE DESIGN OR MANUFACTURE OF ENCLOSURES.

Sony Electronics - Park Ridge, New Jersey 07656 - Fax (201)930-7891 - www.sony.com/dn

Features and specifications subject to change without notice. Non-Metric weights and measurements are approximate.