

SONY

KDL-32XBR950

DESCRIPTION: 32" Flat Panel LCD TV
 DIMENSIONS (WHD): 41 1/2" x 25" x 3 7/8"
 WEIGHT: Approx 65 lbs
 49 lbs w/o stand

POWER REQUIREMENTS: 120V AC 60Hz
 POWER CONSUMPTION: 150 w
 1.5w stby

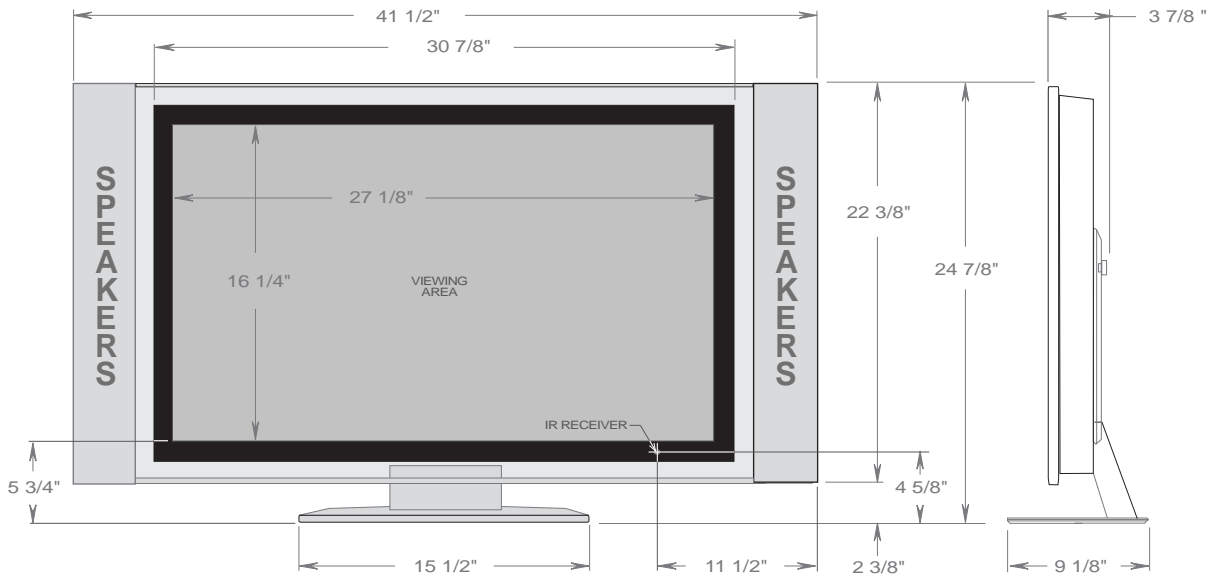
**RMY-914 REMOTE CONTROL
 w/supplied MDB-XBR950**

TOP VIEW

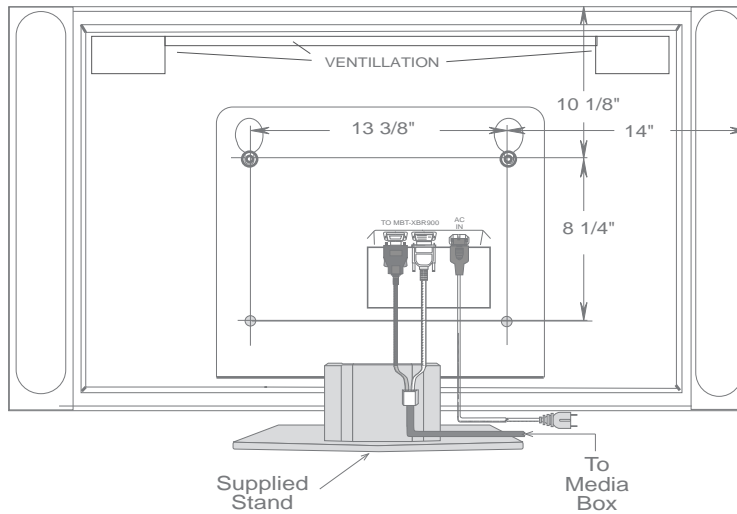


FRONT VIEW

SIDE VIEW



BACK VIEW



NOTE :

WHERE THERE ARE CLOSE TOLERANCES INVOLVED IN CABINET BUILDING OR APPLICATIONS WHICH REQUIRE A GREAT DEGREE OF PRECISION WE RECOMMEND THAT THE PRODUCT ITSELF BE USED TO MAKE THE ACTUAL MEASUREMENTS. SONY WILL NOT BE RESPONSIBLE FOR INACCURACIES IN THE DESIGN OR MANUFACTURE OF ENCLOSURES .