

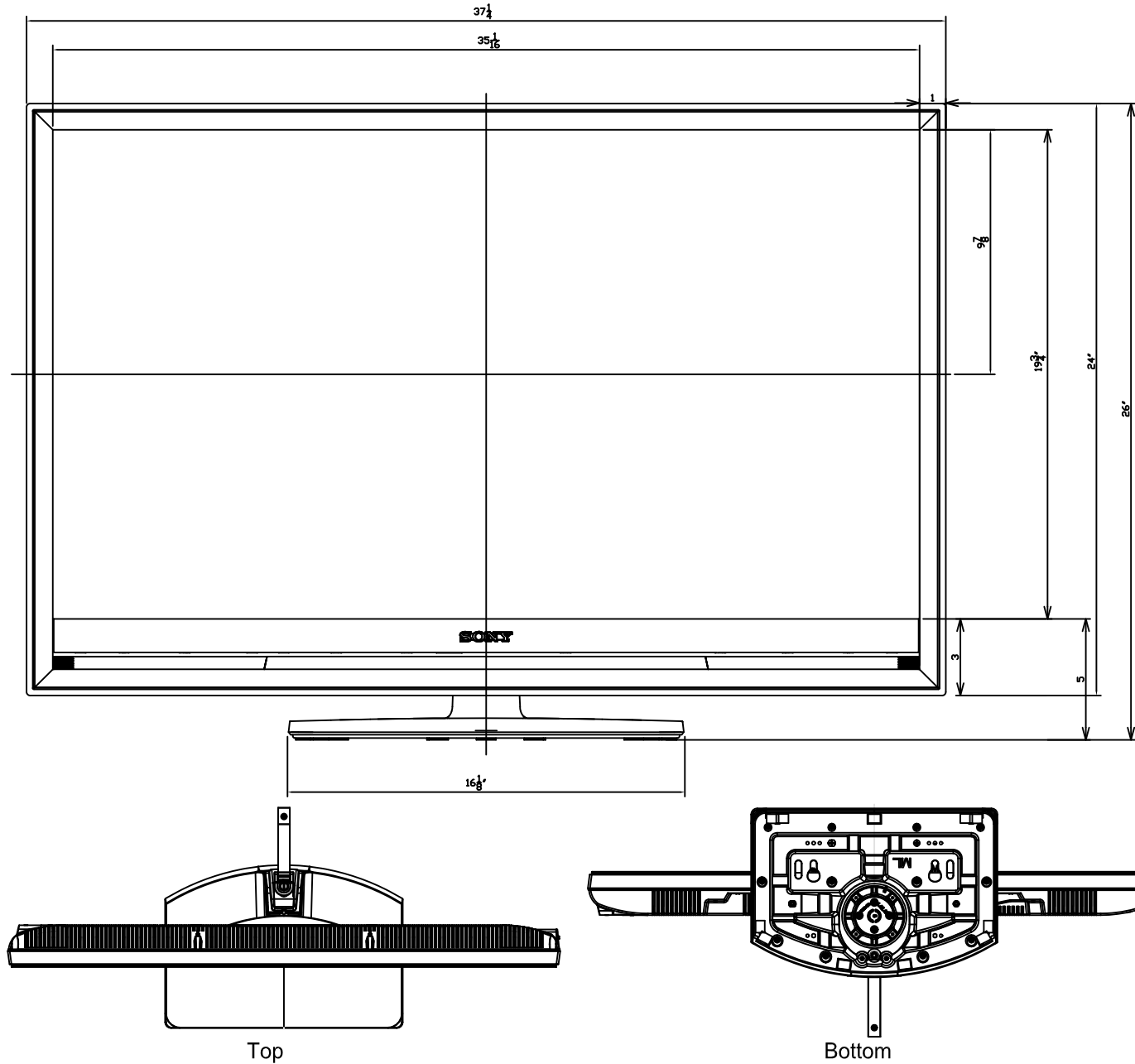
SONY

Model: KDL-40Z4100

Description: LCD TV
Dimensions: $37\frac{1}{4}'' \times 24'' \times 2\frac{7}{8}''$
(Without Base)
(WHD): $37\frac{1}{4}'' \times 26'' \times 11''$
(With Base)
Weight: 48 lb
(With Base)

Carton Dimensions: $48'' \times 30\frac{1}{4}'' \times 9''$
(WHD): w h d

Power 120V AC
requirements: 60HZ



NOTE:
WHERE THERE ARE CLOSE TOLERANCES INVOLVED IN CABINET BUILDING OR APPLICATIONS WHICH REQUIRE A GREAT DEGREE OF PRECISION, WE RECOMMEND THAT THE PRODUCT ITSELF BE USED TO MAKE THE ACTUAL MEASUREMENTS. SONY WILL NOT BE HELD RESPONSIBLE FOR INACCURACIES IN THE DESIGN OR MANUFACTURE OF ENCLOSURES.

Consumer Integrated Systems - Park Ridge, New Jersey 07656 - Fax (201)930-7891 - www.sony.com/dn

Features and specifications subject to change without notice. Non-Metric weights and measurements are approximate.

SONY

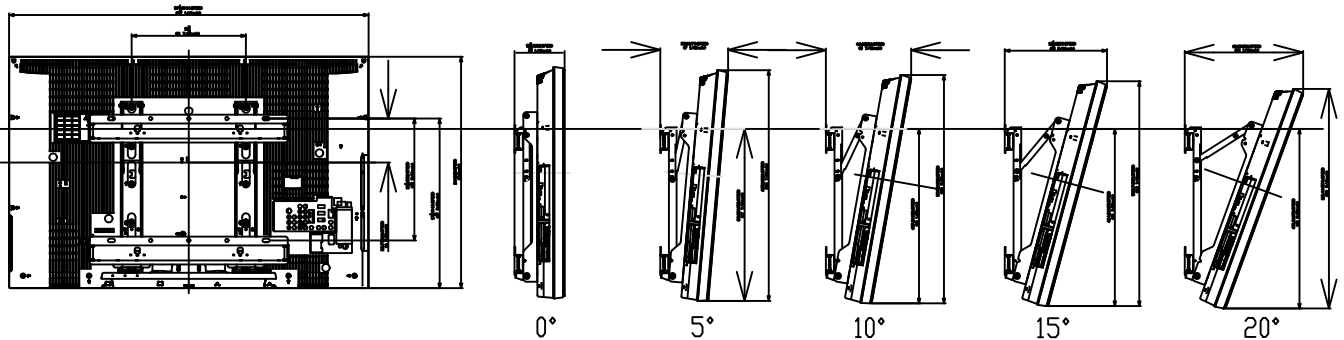
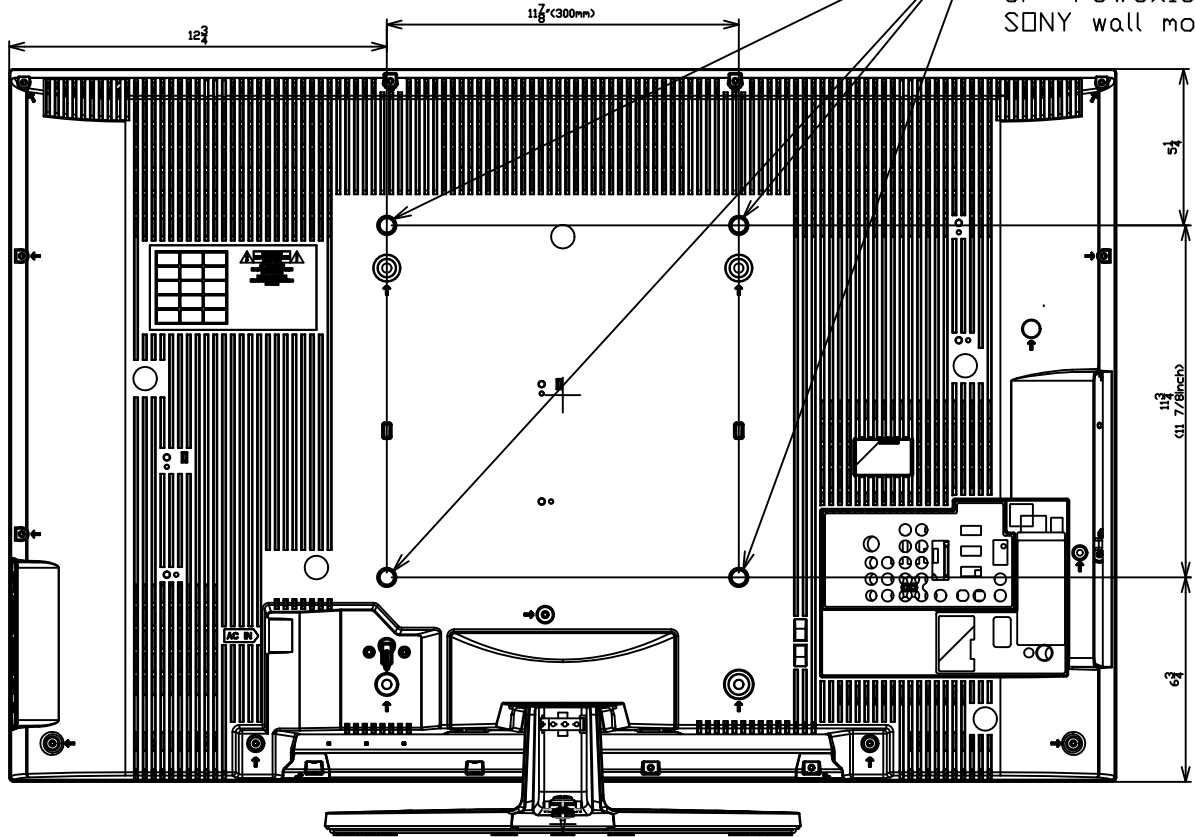
Model:KDL-40Z4100

Description: LCD TV
Dimensions: 37 1/4" x 24" x 2 7/8"
(Without Base)
(WHD): 37 3/4" x 26" x 11"
(With Base)
Weight: 48 lb
(With Base)

Carton Dimensions: 48" x 30 1/4" x 9"
(WHD): w h d

Power 120V AC
requirements: 60HZ

M6x(10+t) (t: VESA
PLATE THICKNESS)
or +PSW6x16 (for
SONY wall mount)



NOTE:
WHERE THERE ARE CLOSE TOLERANCES INVOLVED IN CABINET BUILDING OR APPLICATIONS WHICH REQUIRE A GREAT DEGREE OF PRECISION, WE RECOMMEND THAT THE PRODUCT ITSELF BE USED TO MAKE THE ACTUAL MEASUREMENTS. SONY WILL NOT BE HELD RESPONSIBLE FOR INACCURACIES IN THE DESIGN OR MANUFACTURE OF ENCLOSURES.

Consumer Integrated Systems - Park Ridge, New Jersey 07656 - Fax (201)930-7891 - www.sony.com/dn

Features and specifications subject to change without notice. Non-Metric weights and measurements are approximate.