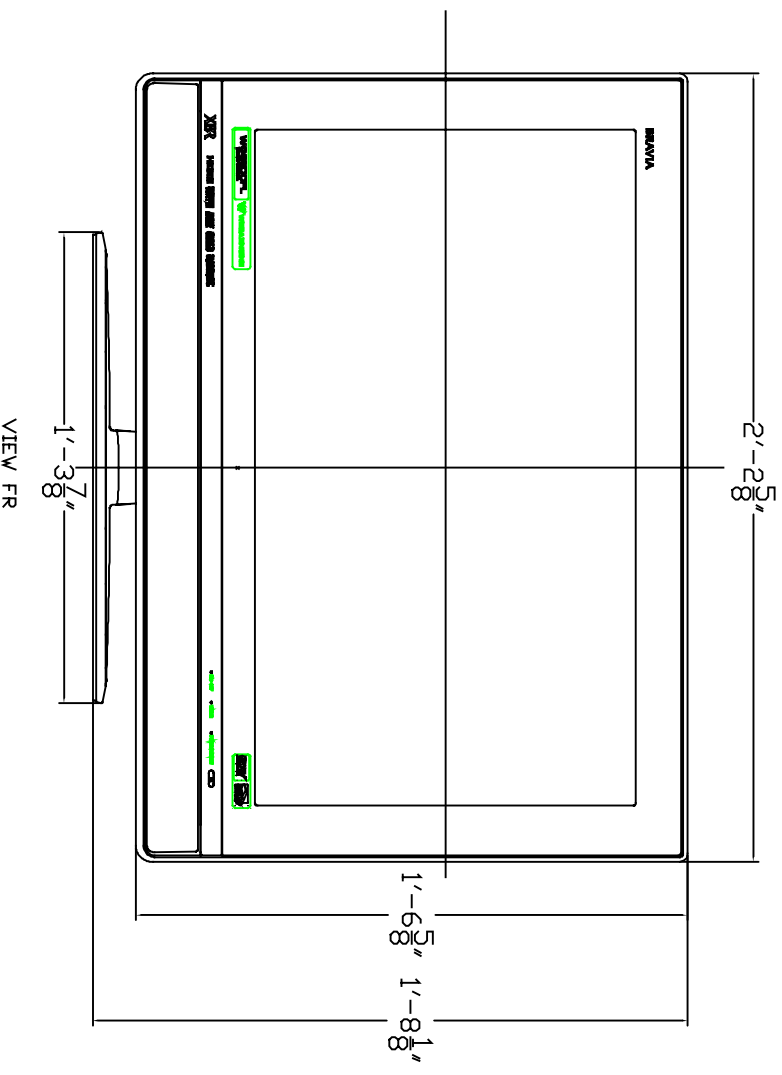
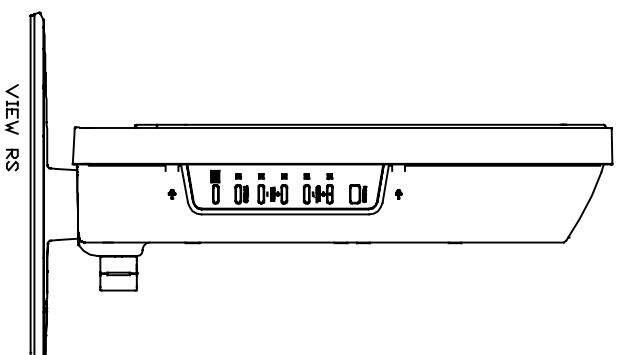
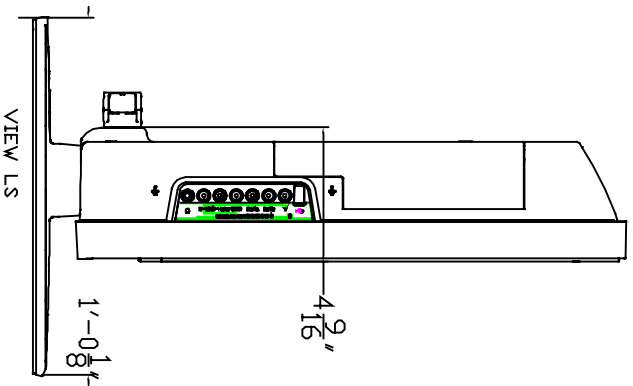


SONY

# Model: KDL-S26XBR1

Description:	26 5/8" 18 5/8" 4 3/16"	Power	120V AC
Dimensions: (Without Base)		requirements:	60HZ
(WHD):	26 5/8" 20 5/8" 12 5/8"	Power	120V AC
Weight:	40 lb	requirements:	60HZ
(With Base)			



NOTE:  
WHERE THERE ARE CLOSE TOLERANCES INVOLVED IN CABINET BUILDING OR APPLICATIONS WHICH REQUIRE A GREAT DEGREE OF PRECISION, WE RECOMMEND THAT THE PRODUCT ITSELF BE USED TO MAKE THE ACTUAL MEASUREMENTS. SONY WILL NOT BE HELD RESPONSIBLE FOR INACCURACIES IN THE DESIGN OR MANUFACTURE OF ENCLOSURES.

Consumer Integrated Systems - Park Ridge, New Jersey 07656 - Fax (201)930-7891 - [www.sony.com/dn](http://www.sony.com/dn)

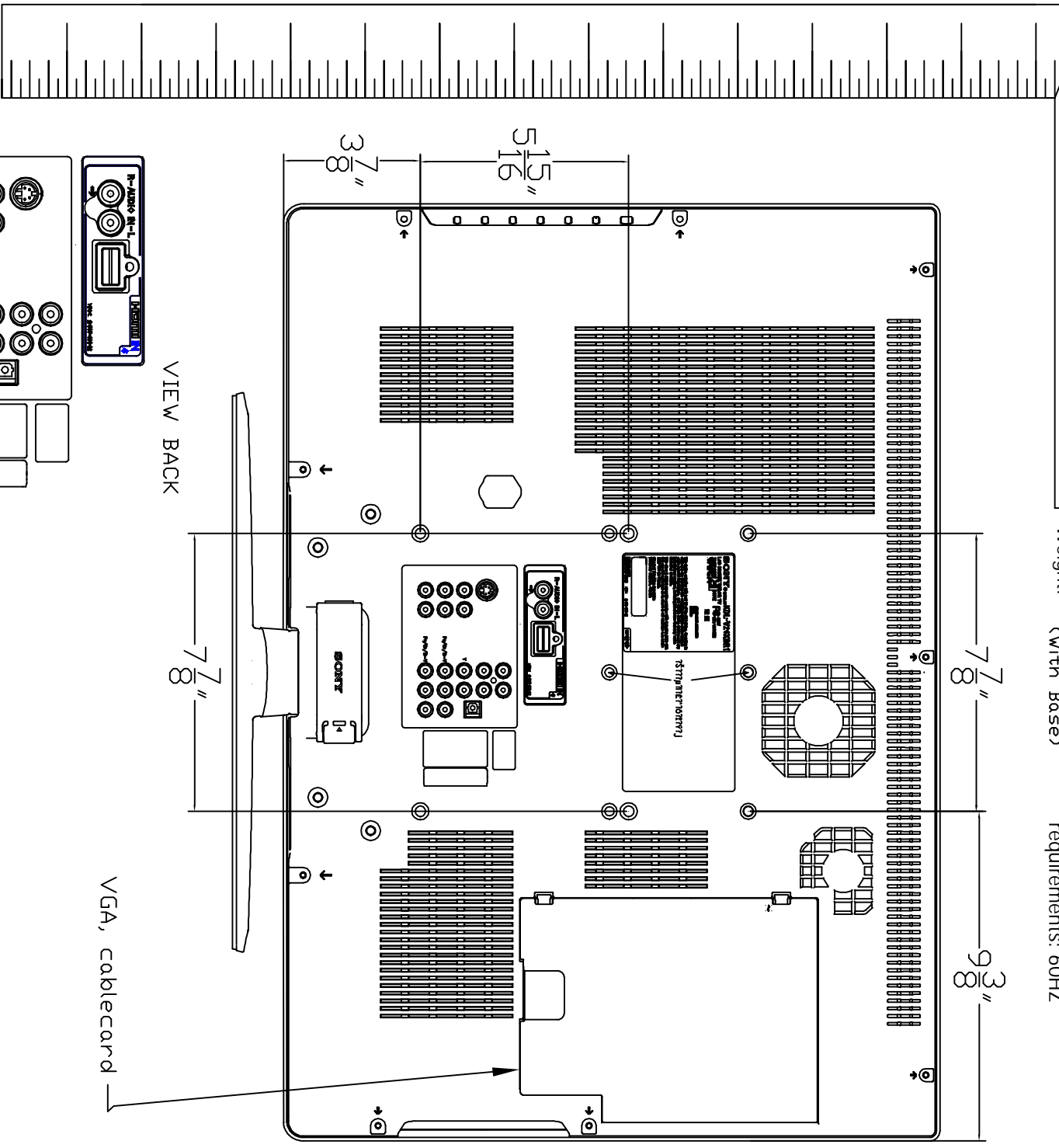
Features and specifications subject to change without notice. Non-Metric weights and measurements are approximate.

SONY

# Model: KDL-S26XBR1

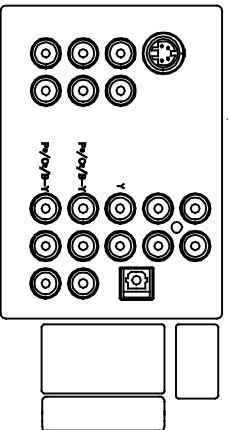
Description: 26  $\frac{5}{8}$ " 18 $\frac{3}{8}$ " 4 $\frac{1}{8}$ "  
Dimensions: (Without Base)  
(WHD): 26  $\frac{3}{8}$ " 20  $\frac{3}{8}$ " 12 $\frac{3}{8}$ "  
Weight: 40 lb  
(With Base)

Power 120V AC  
requirements: 60HZ  
Power 120V AC  
requirements: 60HZ



VIEW BACK

VGA, cablecard



NOTE:

WHERE THERE ARE CLOSE TOLERANCES INVOLVED IN CABINET BUILDING OR APPLICATIONS WHICH REQUIRE A GREAT DEGREE OF PRECISION, WE RECOMMEND THAT THE PRODUCT ITSELF BE USED TO MAKE THE ACTUAL MEASUREMENTS, SONY WILL NOT BE HELD RESPONSIBLE FOR INACCURACIES IN THE DESIGN OR MANUFACTURE OF ENCLOSURES.

Consumer Integrated Systems - Park Ridge, New Jersey 07656 - Fax (201)930-7891 - [www.sony.com/dn](http://www.sony.com/dn)

Features and specifications subject to change without notice. Non-Metric weights and measurements are approximate.