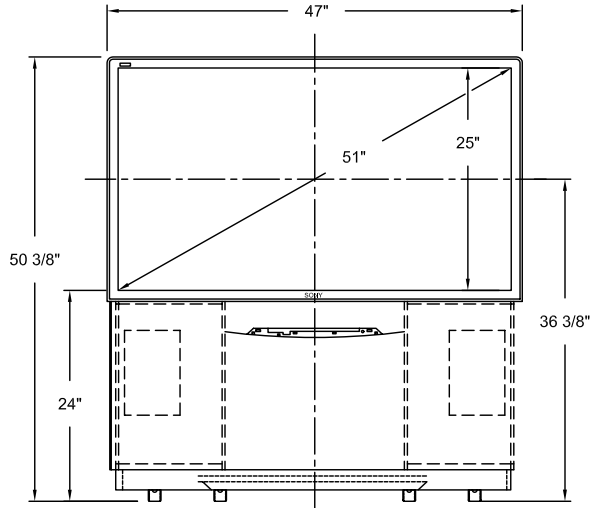


SONY

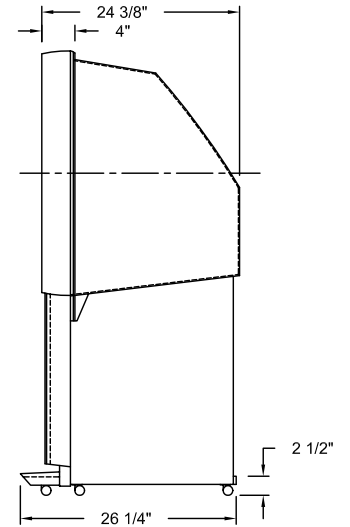
KDP51WS655

DESCRIPTION: _____ POWER REQUIREMENTS: _____
DIMENSIONS (WHD): 47"x50 3/8"x26 1/4" POWER CONSUMPTION: _____
WEIGHT: _____

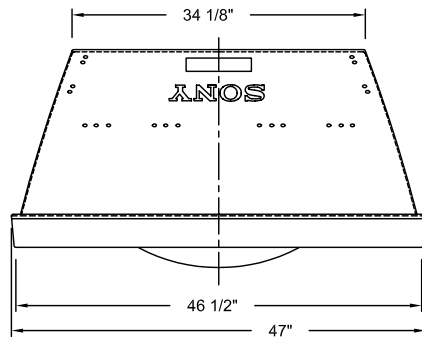
FRONT VIEW



SIDE VIEW



TOP VIEW



NOTE: This drawing is based on prototype and/or pre-production models, not final product and should be used to estimate space and electrical requirements only!

NOTE :
WHERE THERE ARE CLOSE TOLERANCES INVOLVED IN CABINET BUILDING OR APPLICATIONS WHICH REQUIRE A GREAT DEGREE OF PRECISION WE RECOMMEND THAT THE PRODUCT ITSELF BE USED TO MAKE THE ACTUAL MEASUREMENTS. SONY WILL NOT BE RESPONSIBLE FOR INACCURACIES IN THE DESIGN OR MANUFACTURE OF ENCLOSURES.