

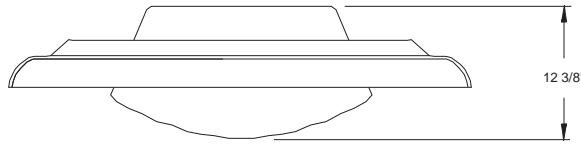
SONY

KE-42M1

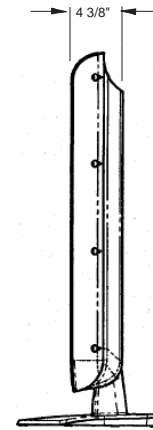
DESCRIPTION: 42" Plasma Wega® POWER
 DIMENSIONS: Monitor/Receiver REQUIREMENTS: 120VAC
 (WHD): 42 3/8" x 32 5/8" x 4 3/8" POWER 60Hz
 WEIGHT: 99 lbs 3 oz With TV Stand CONSUMPTION: 370 w
 87 lbs 1 oz W/O TV Stand <1w(stby)

SUPPLIED REMOTE RMY-1003

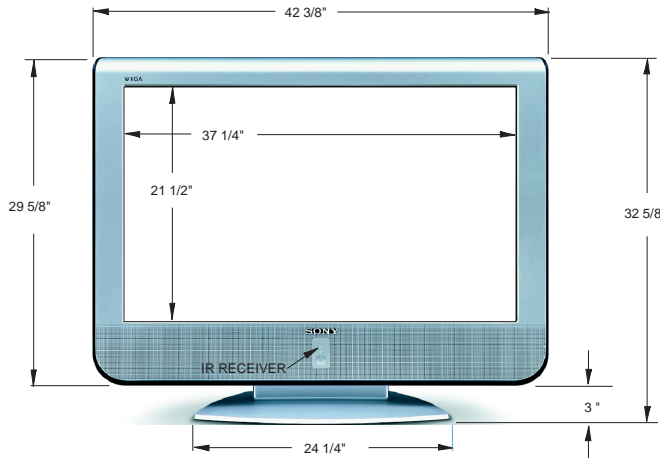
TOP VIEW



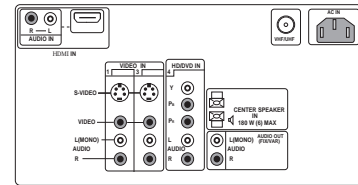
SIDE VIEW



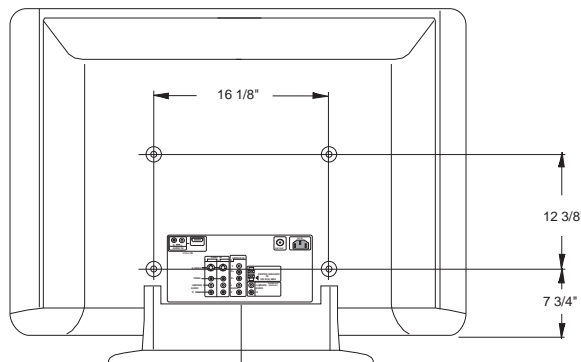
FRONT VIEW



JACK PACK



BACK VIEW



NOTE :
 WHERE THERE ARE CLOSE TOLERANCES INVOLVED IN CABINET BUILDING OR APPLICATIONS WHICH REQUIRE A GREAT DEGREE OF PRECISION WE RECOMMEND THAT THE PRODUCT ITSELF BE USED TO MAKE THE ACTUAL MEASUREMENTS. SONY WILL NOT BE RESPONSIBLE FOR INACCURACIES IN THE DESIGN OR MANUFACTURE OF ENCLOSURES .