

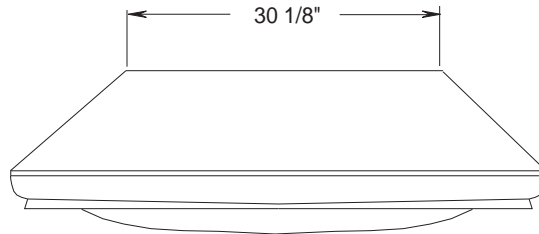
SONY

KF-50WE610

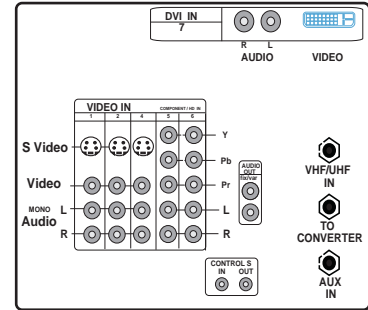
RM-913 REMOTE COMMANDER

DESCRIPTION: Grand Wega POWER
 DIMENSIONS: 16:9 Rear PJTV REQUIREMENTS: 120V
 (WHD): 54 1/4" x 36 1/2" x 17 3/4" POWER AC
 WEIGHT: 87 lbs 1 oz CONSUMPTION: 210w
<1w(stby)

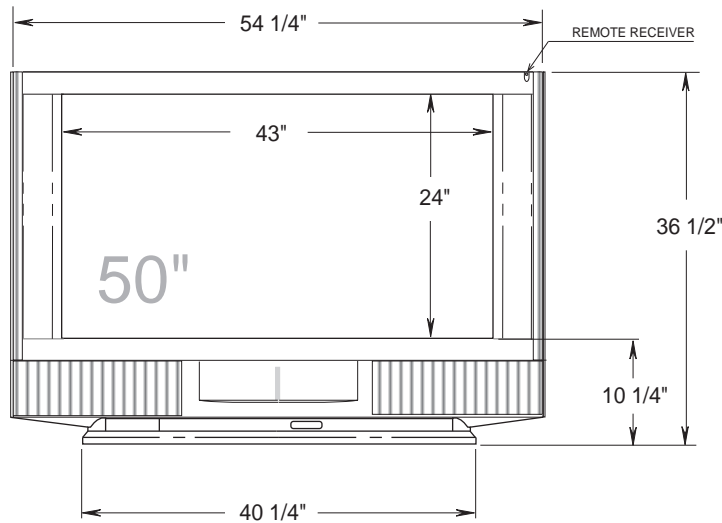
TOP VIEW



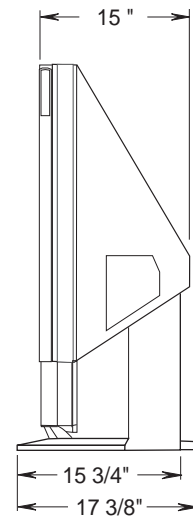
JACK PACK



FRONT VIEW



SIDE VIEW



SPARE LAMP XL-2100U
 OPTIONAL A/V STAND SU-GW1
 WHD 54 1/4" x 15 3/4" x 21 1/2"

NOTE:
 WHERE THERE ARE CLOSE TOLERANCES INVOLVED IN CABINET BUILDING OR APPLICATIONS WHICH REQUIRE A GREAT DEGREE OF PRECISION WE RECOMMEND THAT THE PRODUCT ITSELF BE USED TO MAKE THE ACTUAL MEASUREMENTS. SONY WILL NOT BE RESPONSIBLE FOR INACCURACIES IN THE DESIGN OR MANUFACTURE OF ENCLOSURES .