

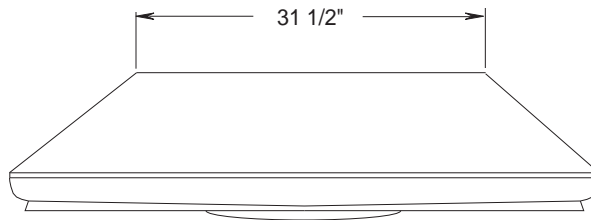
**SONY**

# KF-60WE610

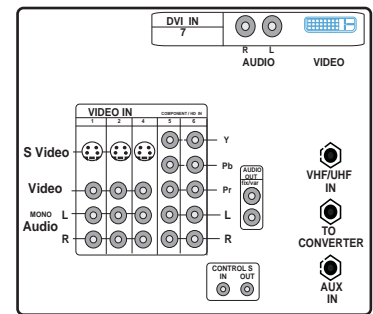
RM-913 REMOTE COMMANDER

DESCRIPTION: Grand Wega POWER  
 DIMENSIONS: 16:9 Rear PJTV REQUIREMENTS: 120V  
 (WHD): 63 1/4" x 42" x 21 1/4" POWER AC  
 WEIGHT: 109 lbs CONSUMPTION: 210w  
<1w(stby)

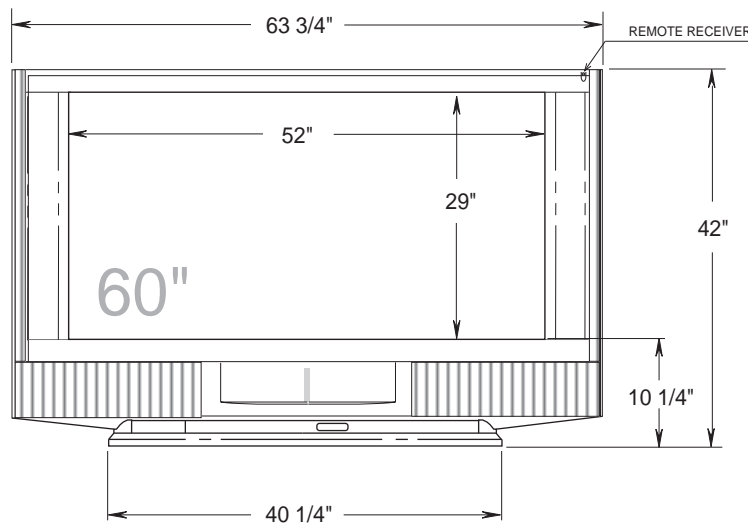
**TOP VIEW**



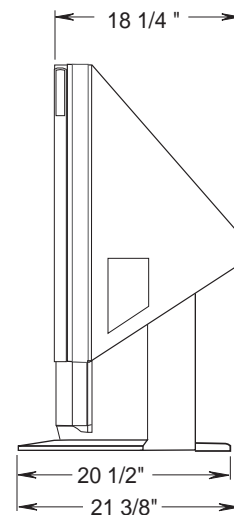
**JACK PACK**



**FRONT VIEW**



**SIDE VIEW**



SPARE LAMP XL-2100U  
 OPTIONAL A/V STAND SU-GW1  
 WHD 54 1/4" x 15 3/4" x 21 1/2"

NOTE:  
 WHERE THERE ARE CLOSE TOLERANCES INVOLVED IN CABINET BUILDING OR APPLICATIONS WHICH REQUIRE A GREAT DEGREE OF PRECISION WE RECOMMEND THAT THE PRODUCT ITSELF BE USED TO MAKE THE ACTUAL MEASUREMENTS. SONY WILL NOT BE RESPONSIBLE FOR INACCURACIES IN THE DESIGN OR MANUFACTURE OF ENCLOSURES .