

SONY

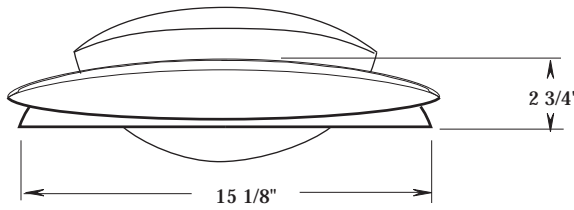
KLV-15SR1

DESCRIPTION: LCD TV
DIMENSIONS
(WHD): 16" x 15 7/8" x 7 1/4"*
WEIGHT: 11 lbs 11 oz

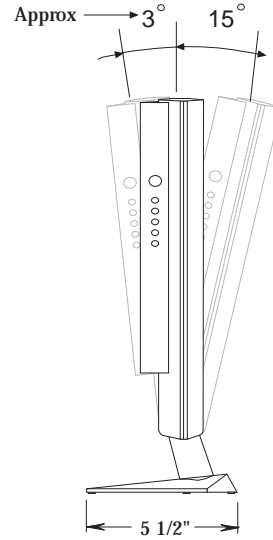
POWER REQUIREMENTS: 120V AC
60Hz
POWER CONSUMPTION: 39W
1.9(stby)

RM-917Y REMOTE CONTROL

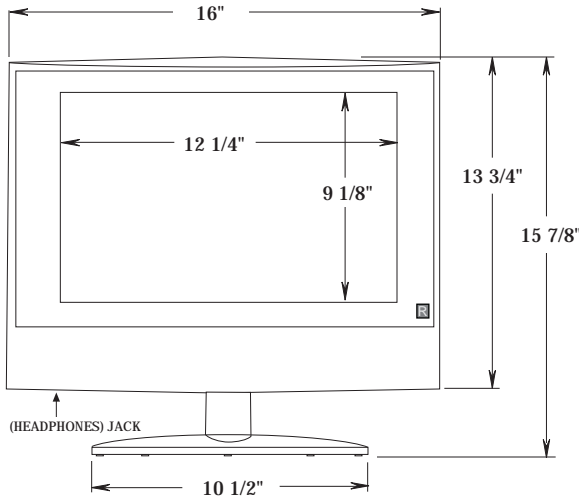
TOP VIEW



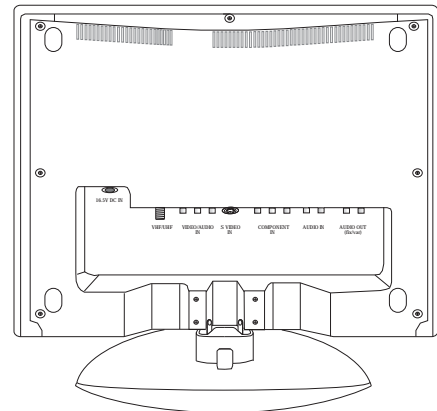
SIDE VIEW



FRONT VIEW



BACK VIEW



OPTIONAL WALL MOUNT SU-W100
* INCLUDES SUPPLIED STAND

NOTE:
WHERE THERE ARE CLOSE TOLERANCES INVOLVED IN CABINET BUILDING OR APPLICATIONS WHICH REQUIRE A GREAT DEGREE OF PRECISION WE RECOMMEND THAT THE PRODUCT ITSELF BE USED TO MAKE THE ACTUAL MEASUREMENTS. SONY WILL NOT BE RESPONSIBLE FOR INACCURACIES IN THE DESIGN OR MANUFACTURE OF ENCLOSURES .