

KLV-32U100M  
KLV-40U100M

# Quick Setup Guide

For further information, see the operating instruction supplied with the unit. Please retain this guide for your future reference.

If after reading this Quick Setup Guide and reviewing the Operating Instructions, you still need Service or Technical assistance, please contact our Website or our Customer Information Service Center Toll Free:

Website Support: Sony.Com/TVsupport  
US Residents: 1-800-222-SONY (7669)  
Canadian Residents: 1-877-899-SONY (7669)

**DO NOT RETURN TO THE STORE**

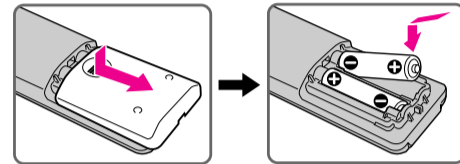
Sony Corporation © 2006 Printed in China

## Checking the Supplied Accessories

- Remote control (RM-YA004) (1) and size AA batteries (2)
- AC power cord (1)
- HD15-HD15 cable (1)
- Support belt (1), securing screw (1) and wood screw (1)
- Operating Instructions (1)
- Quick Setup Guide (1)
- Leaflet (Installing the Wall-Mount Bracket, KLV-32U100M only) (1)
- Warranty Card (1)

## Inserting Batteries into the Remote Control

Insert two size AA batteries (supplied) by matching the **+** and **-** on the batteries to the diagram inside the remote control's battery compartment.



### Notes

- The connection diagrams shown below and on the reverse side are recommendations only; other possible solutions may exist. Connections that include an A/V receiver can often be complex, so check your A/V receiver's instruction manual for additional details.
- See the "Cables Required" chart that appears with the diagram to determine which cables you'll need. You may need to purchase extra accessories, such as cables and splitters, depending on the components you plan to connect.

## Making Video Connections

Your unit includes several types of video inputs. Use the inputs that are available on your components that provide the best video performance, as shown in the table on the right.

Best Video Performance



Connector type	Image
HDMI* (High-Definition Multimedia Interface)	
Component video*	
S VIDEO	
Composite video	

\* Support 1080i, 720p, 480p, 480i

## A

Use this diagram if you have;



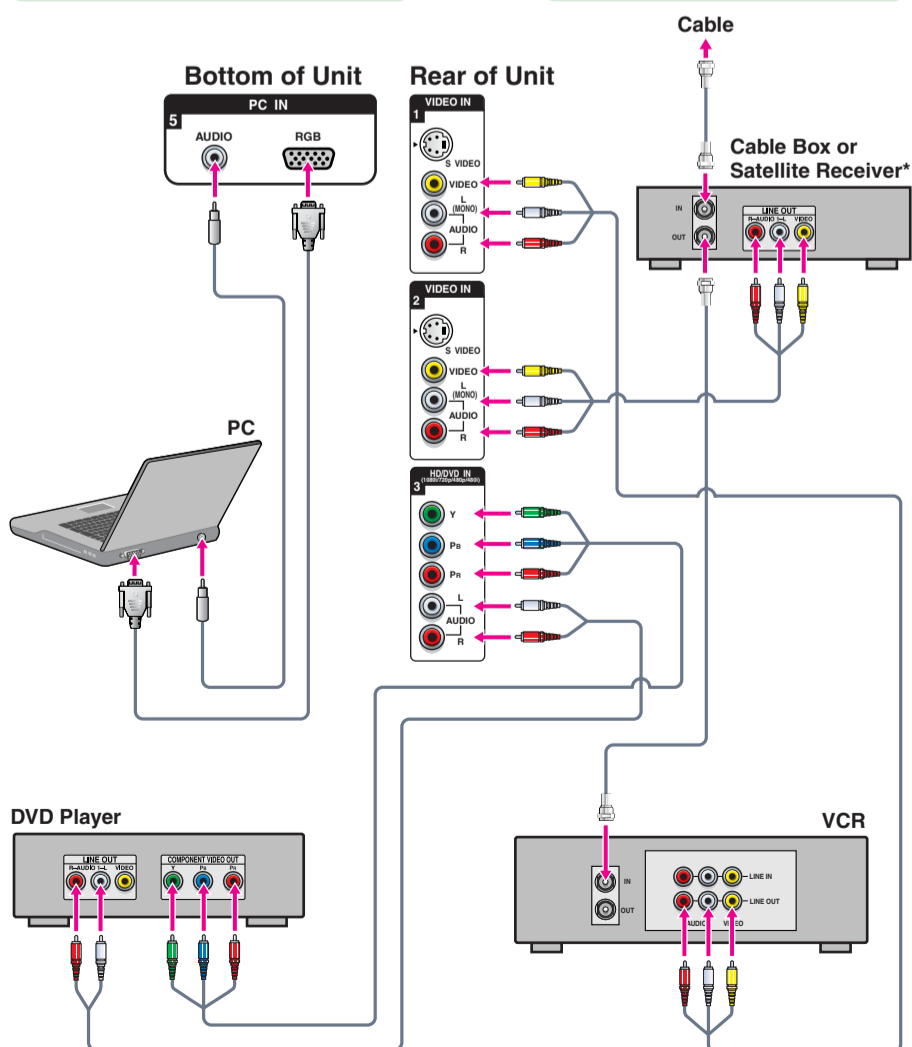
or

Satellite Receiver

Cables Required	
Coaxial	2
Composite	2
Component	1
Audio	2
HD15-HD15	1

If your DVD player or satellite receiver has an HDMI jack, use that instead of the video connections shown here.

If you are not using a cable box or satellite receiver, connect your cable to the VCR's RF IN jack.



## B

Use this diagram if you have;



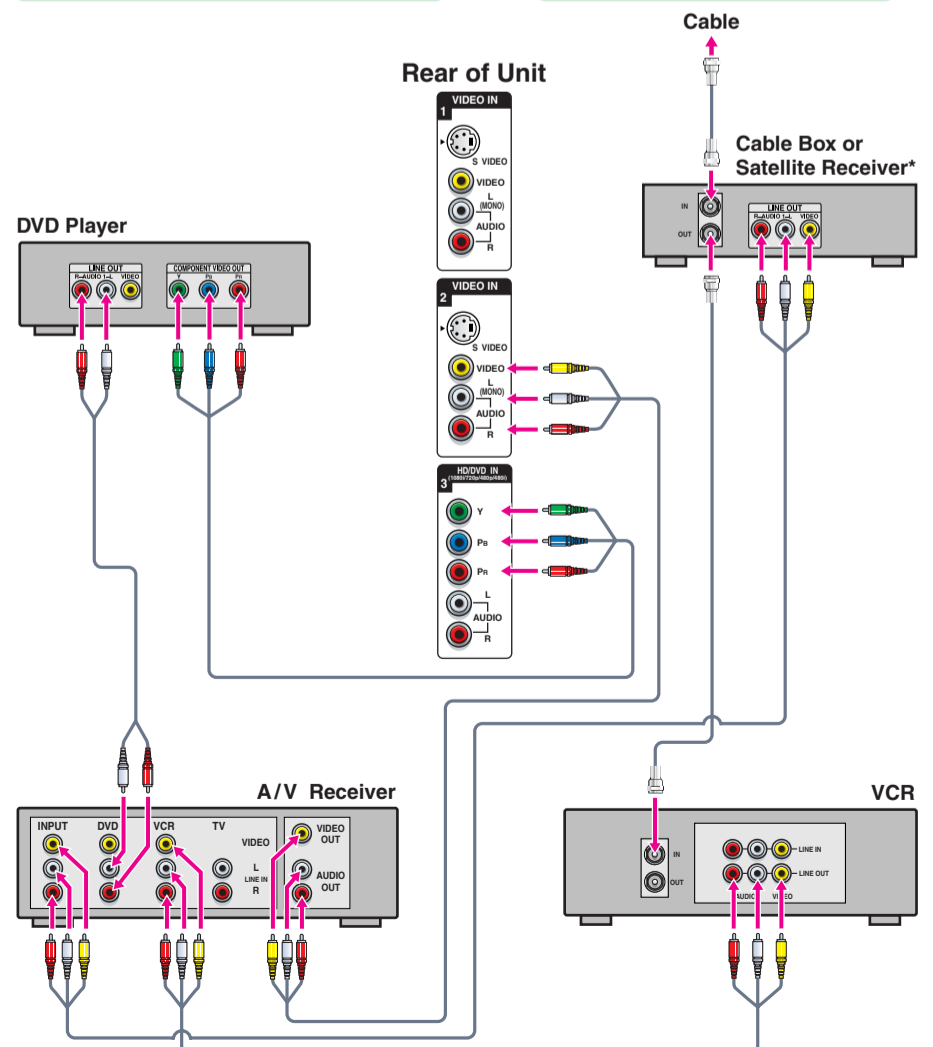
or

Satellite Receiver

Cables Required	
Coaxial	2
Composite	3
Component	1
Audio	2

If your DVD player or satellite receiver has an HDMI jack, use that instead of the video connections shown here.

If you are not using a cable box or satellite receiver, connect your cable to the VCR's RF IN jack.



Continued →

# C

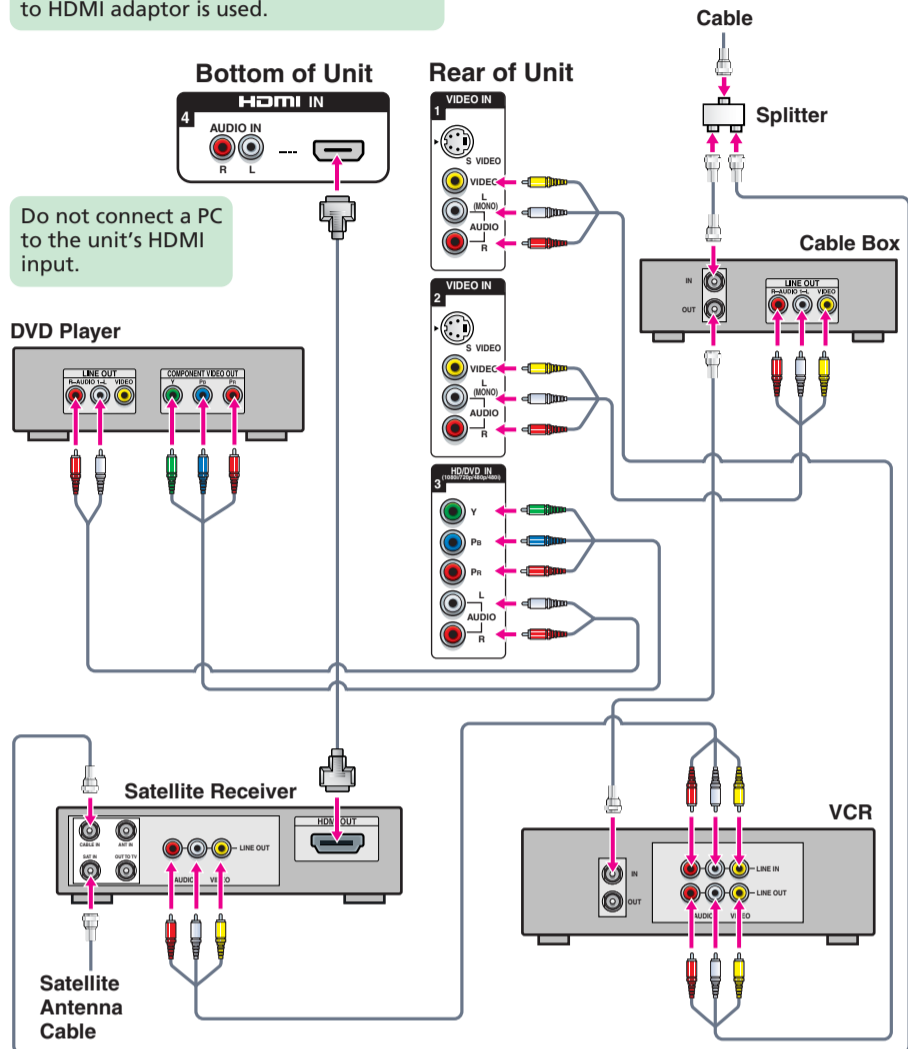
Use this diagram if you have;



Cables Required	
Splitter	1
Coaxial	5
Composite	3
Component	1
HDMI	1
Audio	1

The DVI-HDTV VIDEO connector does not provide audio, so audio cables must be connected to provide sound when a DVI to HDMI adaptor is used.

If you are not using a cable box, connect your cable to the VCR's RF IN jack.



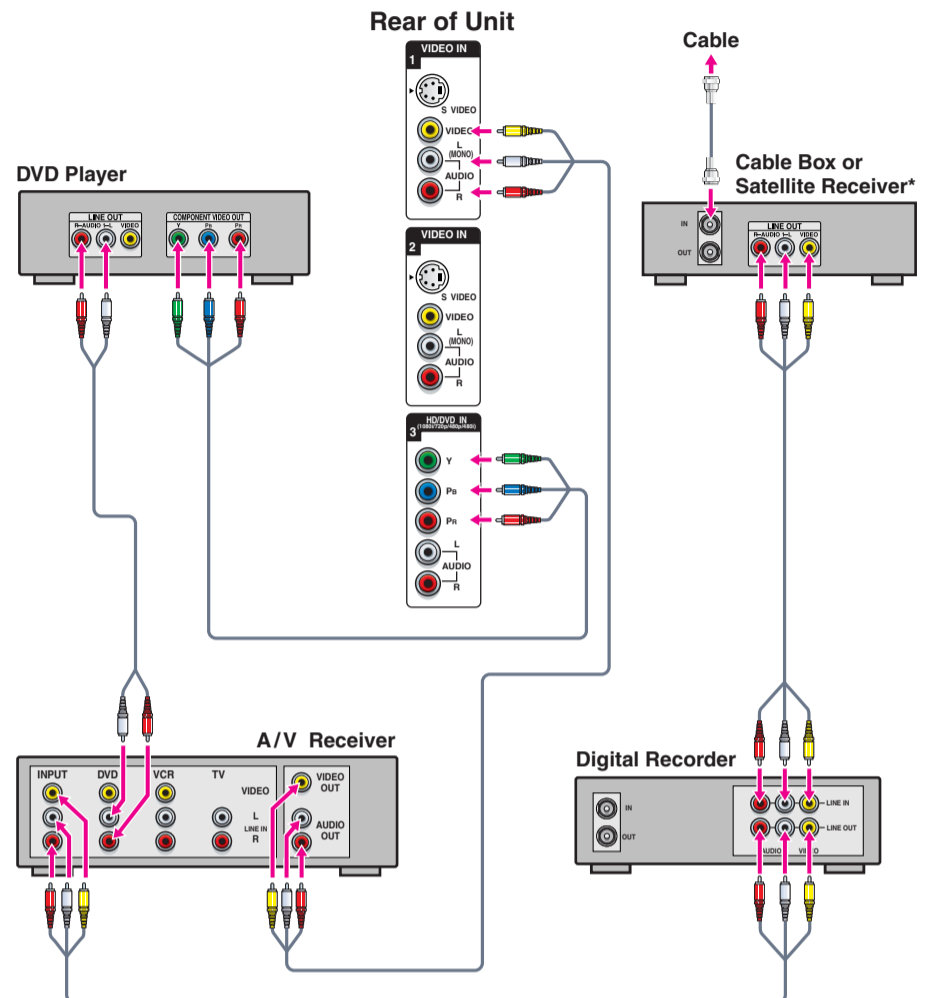
# D

Use this diagram if you have;



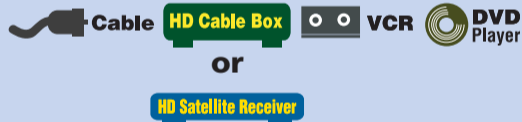
Cables Required	
Coaxial	1
Composite	3
Component	1
Audio	2

If your DVD player or satellite receiver has an HDMI jack, use that instead of the video connections shown here.



# E

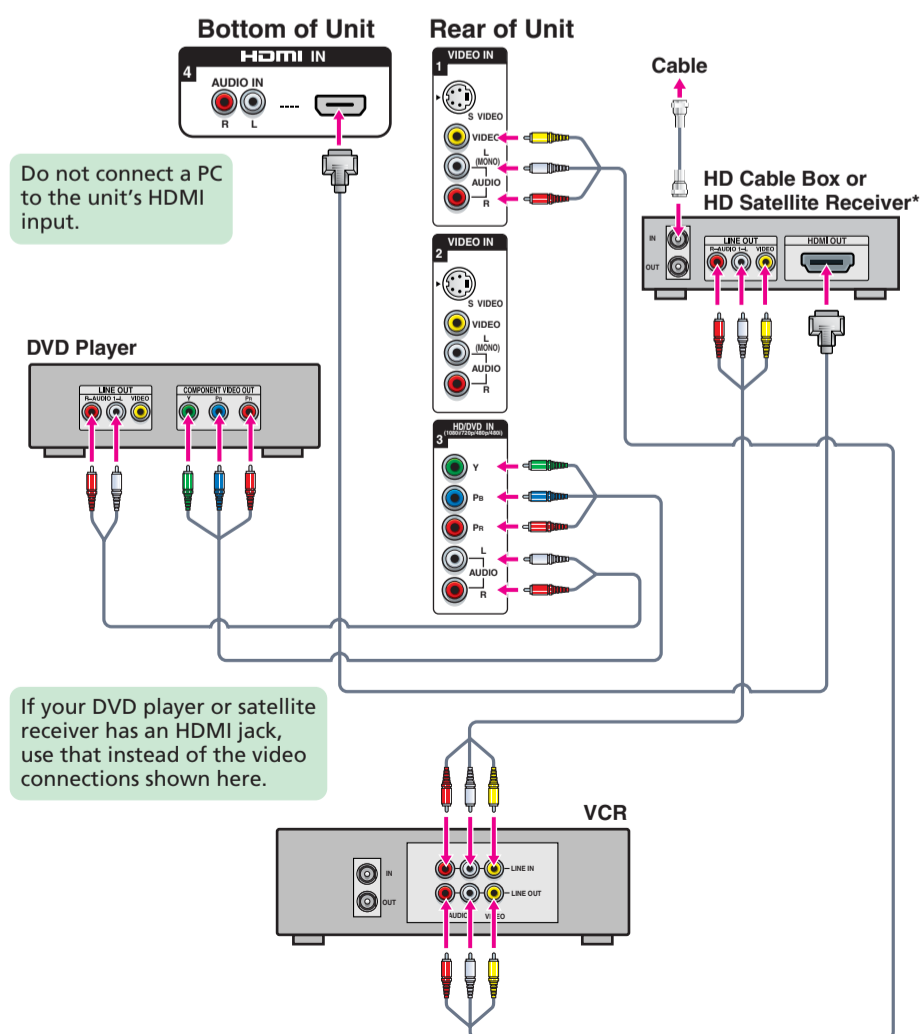
Use this diagram if you have;



Cables Required	
Coaxial	1
Composite	2
Component	1
HDMI	1
Audio	1

The DVI-HDTV VIDEO connector does not provide audio, so audio cables must be connected to provide sound when a DVI to HDMI adaptor is used.

If your cable box has a DVI jack, use that instead of the video connections shown here.



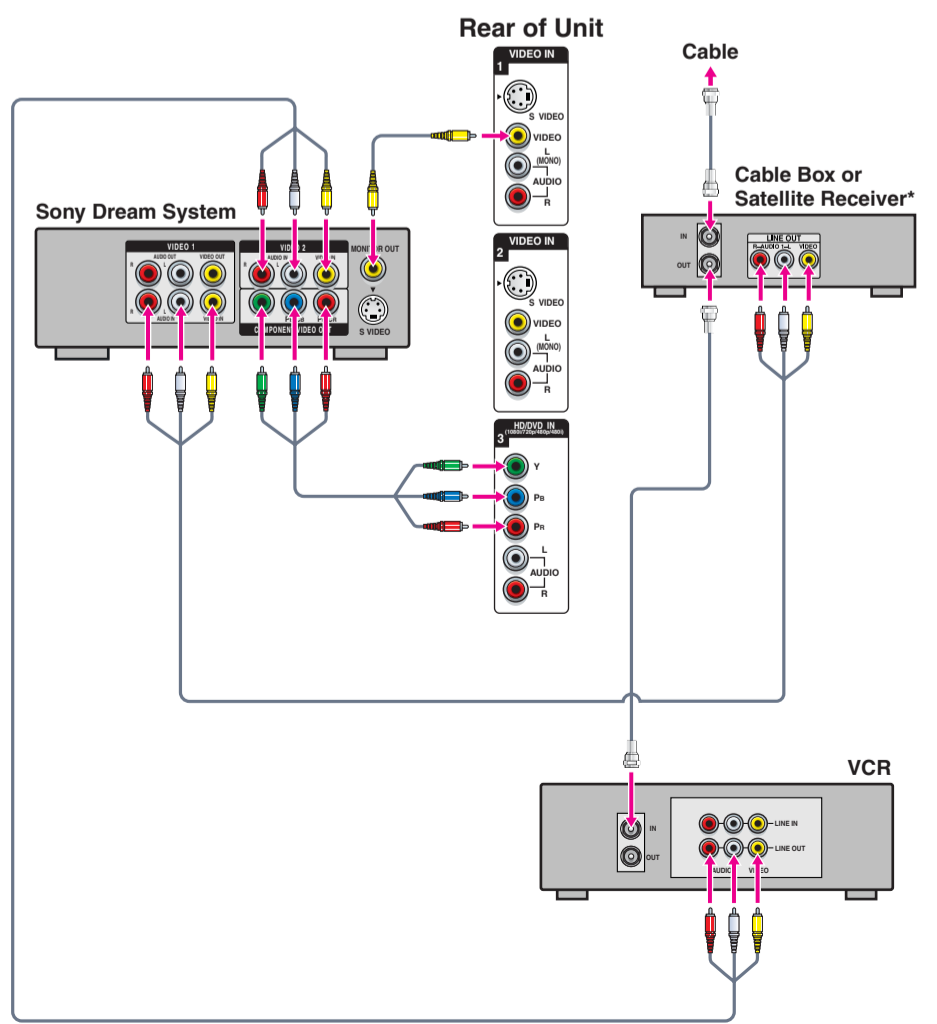
# F

Use this diagram if you have;



Cables Required	
Coaxial	2
Composite	2
Component	1
Composite (without Audio)	1
Component	1

If you are not using a cable box or satellite receiver, connect your cable to the VCR's RF IN jack.



\* Satellite Antenna Cable not shown.