

SONY

Model: KLV-40ZX1M

Description: LCD Monitor

Dimensions: 38 $\frac{3}{8}$ " 26 $\frac{3}{4}$ " 12"

(WHD): 38 $\frac{3}{8}$ " 23 $\frac{1}{2}$ " 18" w/o stand

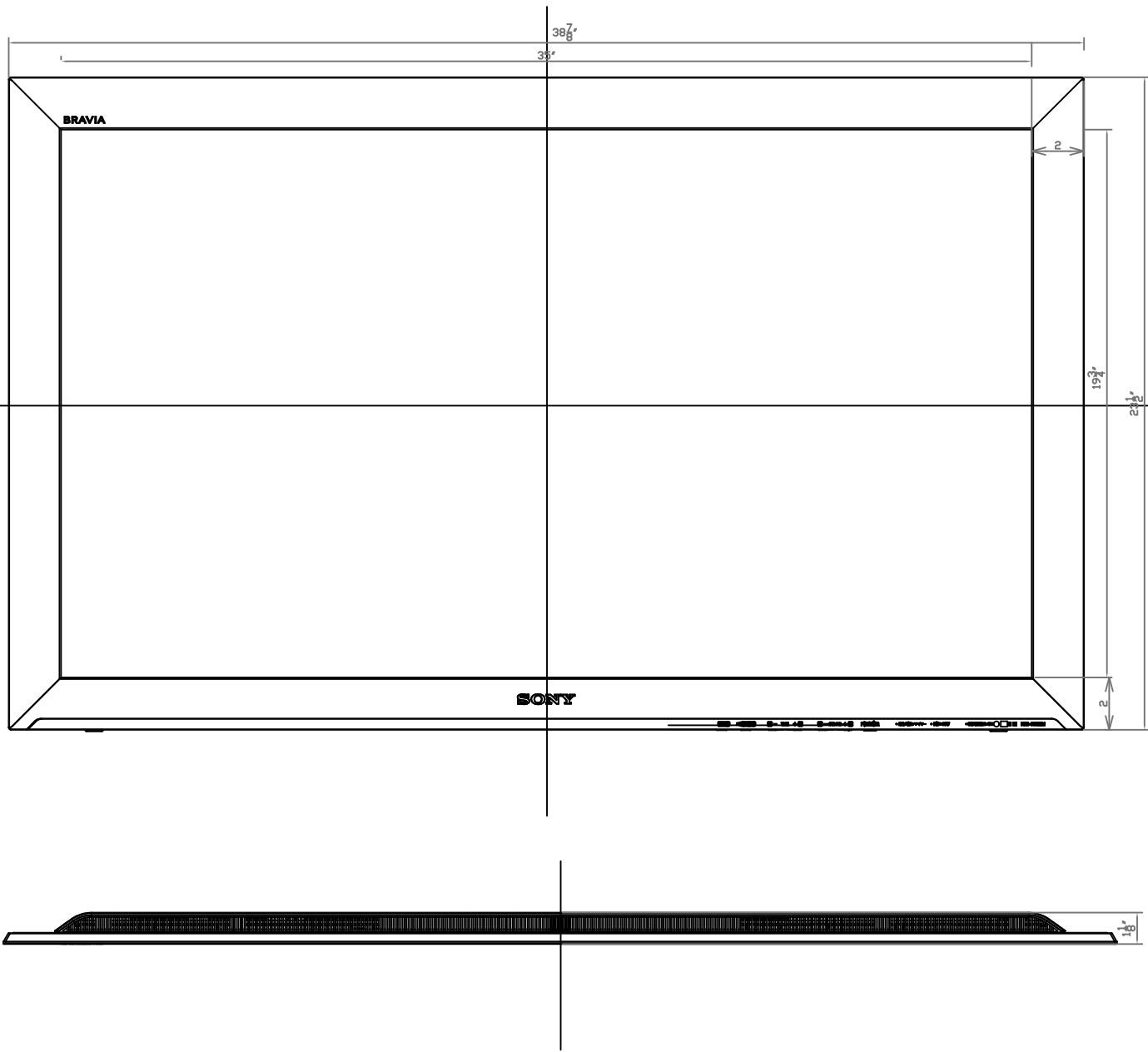
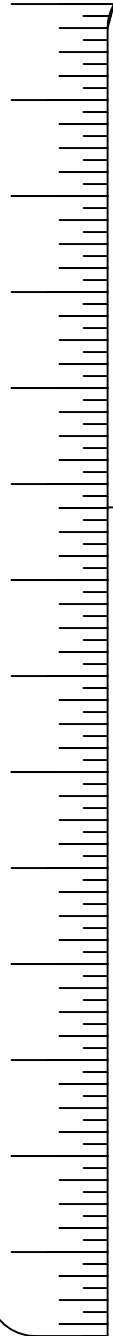
38 $\frac{3}{8}$ " 26 $\frac{3}{4}$ " 18" w/speaker
and optional wall bracket

Weight: 33.1 lb

Carton Dimensions: tbd
(WHD):

Power 120V AC

requirements: 60HZ



NOTE:

WHERE THERE ARE CLOSE TOLERANCES INVOLVED IN CABINET BUILDING OR APPLICATIONS WHICH REQUIRE A GREAT DEGREE OF PRECISION, WE RECOMMEND THAT THE PRODUCT ITSELF BE USED TO MAKE THE ACTUAL MEASUREMENTS. SONY WILL NOT BE HELD RESPONSIBLE FOR INACCURACIES IN THE DESIGN OR MANUFACTURE OF ENCLOSURES.

Consumer Integrated Systems - Park Ridge, New Jersey 07656 - Fax (201)930-7891 - www.sony.com/dn

Features and specifications subject to change without notice. Non-Metric weights and measurements are approximate.

SONY

Model: KLV-40ZX1M

Description: LCD Monitor

Dimensions: 38 $\frac{3}{4}$ " 26 $\frac{3}{4}$ " 12"

(WHD): 38 $\frac{3}{4}$ " 23 $\frac{1}{2}$ " 18" w/o stand

38 $\frac{3}{4}$ " 26 $\frac{3}{4}$ " 18" w/speaker
and optional wall bracket

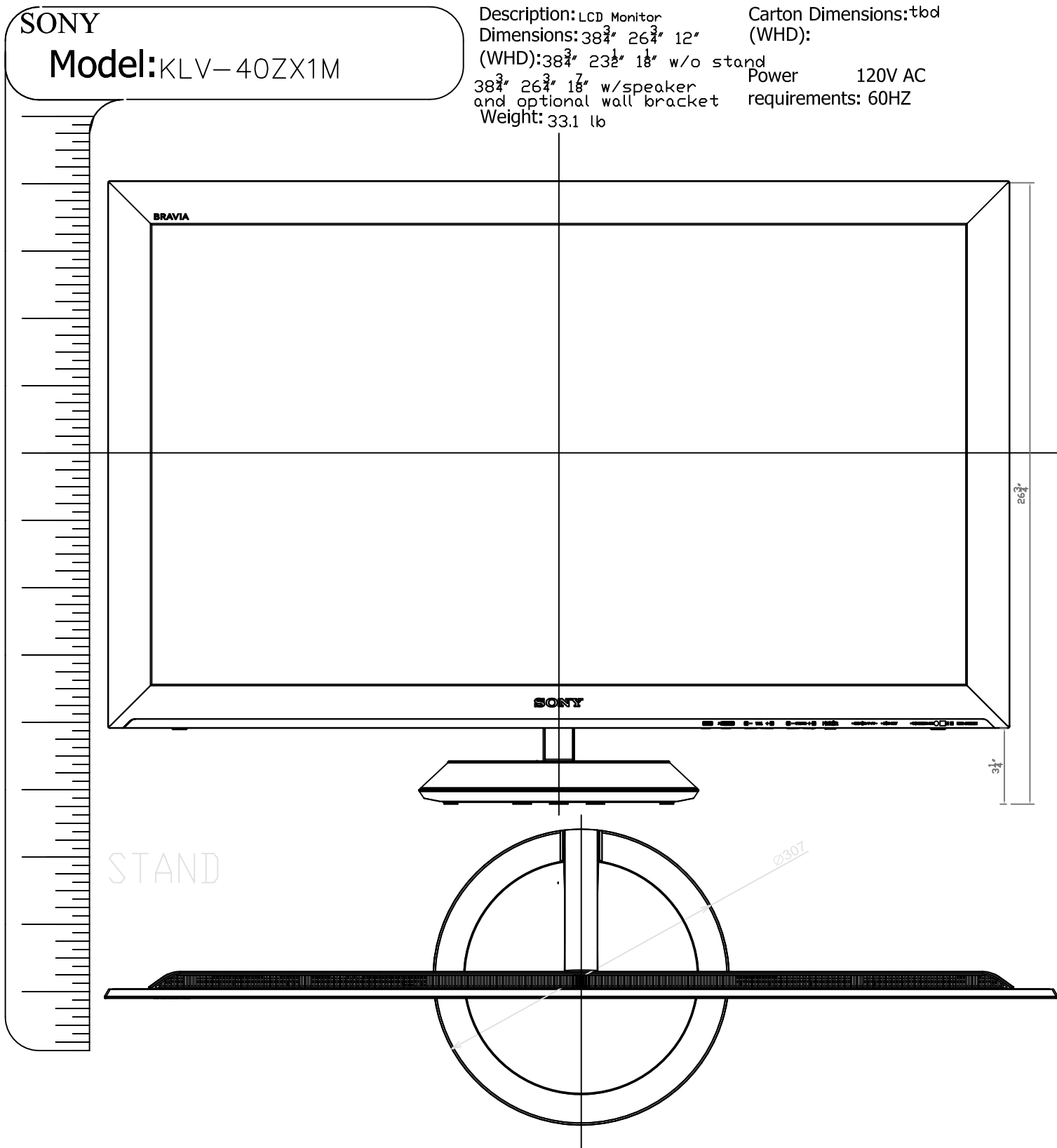
Weight: 33.1 lb

Carton Dimensions: tbd

(WHD):

Power 120V AC

requirements: 60HZ



STAND

NOTE:
WHERE THERE ARE CLOSE TOLERANCES INVOLVED IN CABINET BUILDING OR APPLICATIONS WHICH REQUIRE A GREAT DEGREE OF PRECISION, WE RECOMMEND THAT THE PRODUCT ITSELF BE USED TO MAKE THE ACTUAL MEASUREMENTS. SONY WILL NOT BE HELD RESPONSIBLE FOR INACCURACIES IN THE DESIGN OR MANUFACTURE OF ENCLOSURES.

Consumer Integrated Systems - Park Ridge, New Jersey 07656 - Fax (201)930-7891 - www.sony.com/dn

Features and specifications subject to change without notice. Non-Metric weights and measurements are approximate.

SONY

Model: KLV-40ZX1M

Description: LCD Monitor

Dimensions: 38 $\frac{3}{4}$ " 26 $\frac{3}{4}$ " 12"

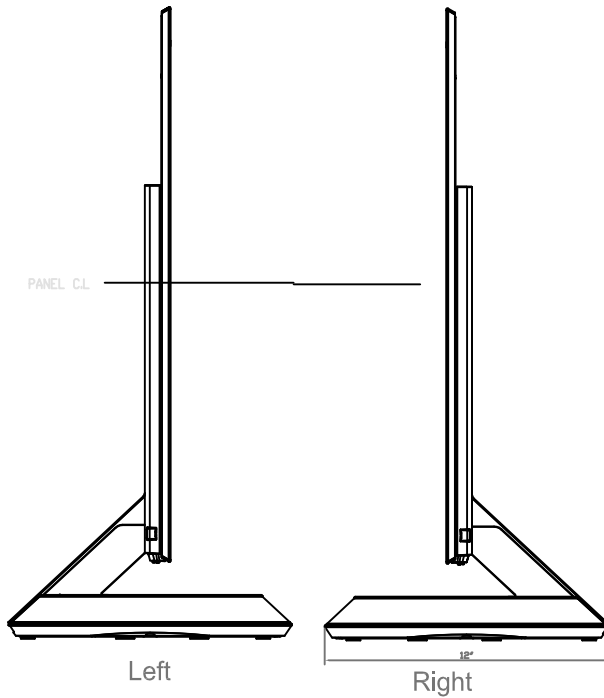
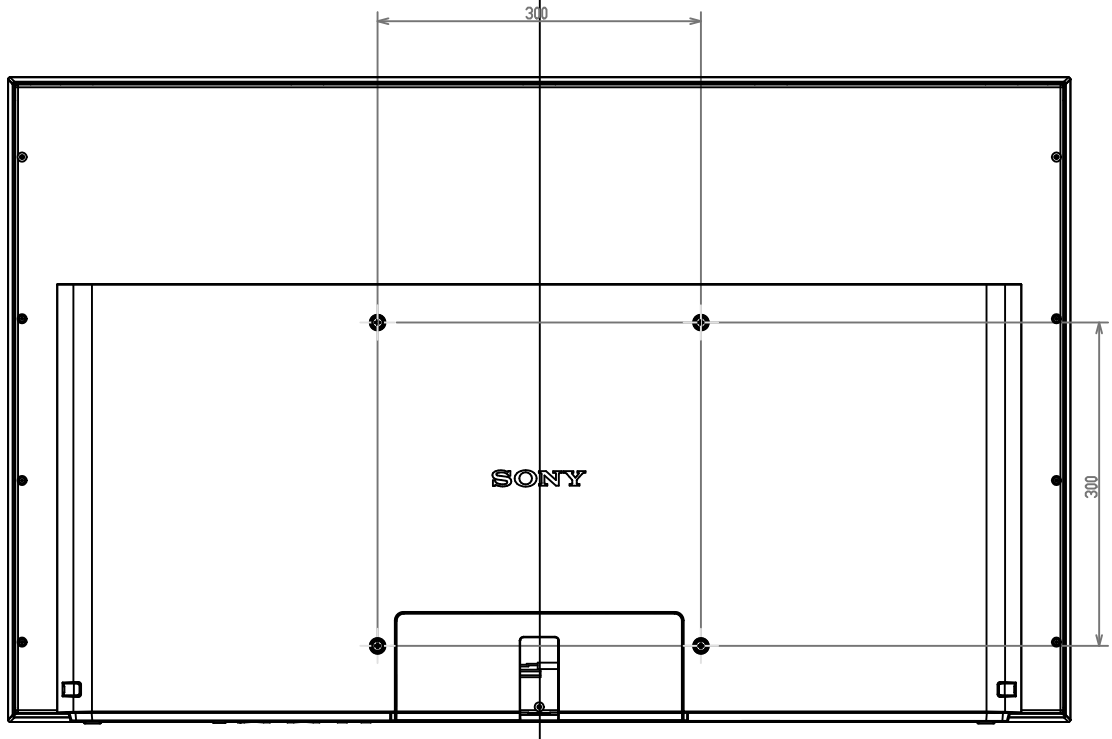
(WHD): 38 $\frac{3}{4}$ " 23 $\frac{1}{2}$ " 18" w/o stand

38 $\frac{3}{4}$ " 26 $\frac{3}{4}$ " 18" w/speaker
and optional wall bracket

Weight: 33.1 lb

Carton Dimensions: tbd
(WHD):

Power 120V AC
requirements: 60HZ



NOTE:
WHERE THERE ARE CLOSE TOLERANCES INVOLVED IN CABINET BUILDING OR APPLICATIONS WHICH REQUIRE A GREAT DEGREE OF PRECISION, WE RECOMMEND THAT THE PRODUCT ITSELF BE USED TO MAKE THE ACTUAL MEASUREMENTS. SONY WILL NOT BE HELD RESPONSIBLE FOR INACCURACIES IN THE DESIGN OR MANUFACTURE OF ENCLOSURES.

Consumer Integrated Systems - Park Ridge, New Jersey 07656 - Fax (201)930-7891 - www.sony.com/dn

Features and specifications subject to change without notice. Non-Metric weights and measurements are approximate.

SONY

Model: KLV-40ZX1M

Description: LCD Monitor

Dimensions: 38 $\frac{3}{4}$ " 26 $\frac{3}{4}$ " 12"

(WHD): 38 $\frac{3}{4}$ " 23 $\frac{1}{2}$ " 18" w/o stand

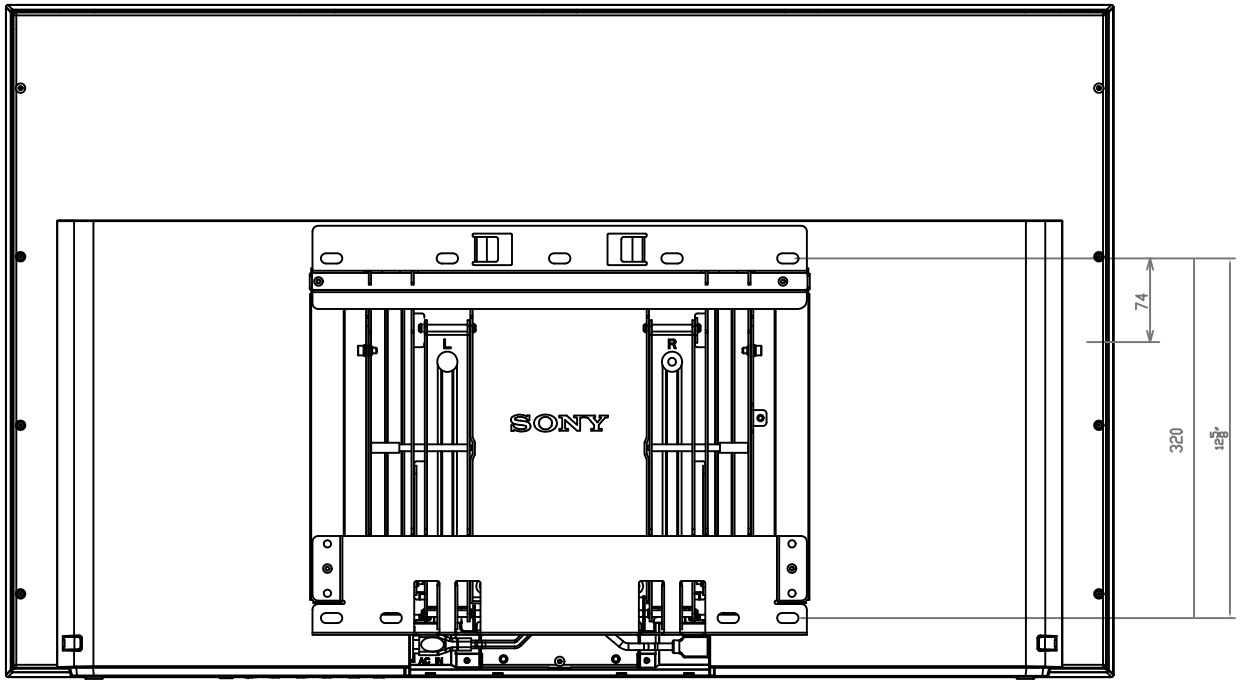
38 $\frac{3}{4}$ " 26 $\frac{3}{4}$ " 18" w/speaker
and optional wall bracket
Weight: 33.1 lb

Carton Dimensions: tbd

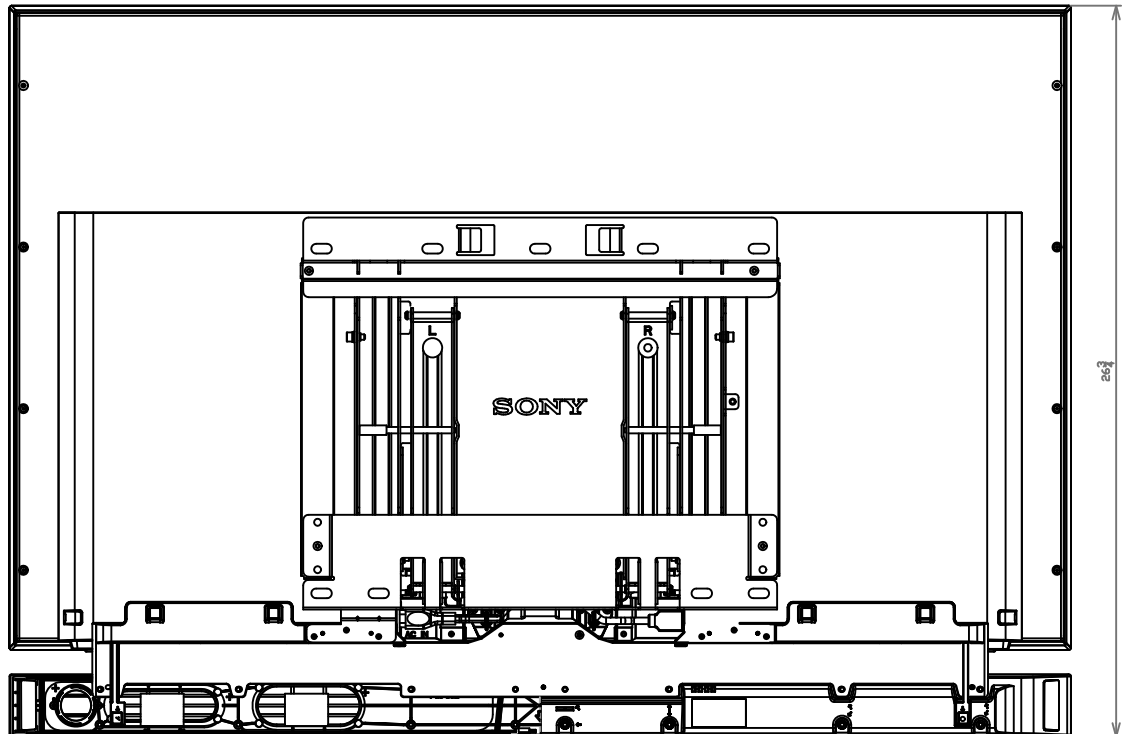
(WHD):

Power 120V AC
requirements: 60HZ

MONITOR & WALL-MOUNT BRACKET



MONITOR + WALL-MOUNT BRACKET & SPEAKER SYSTEM



NOTE:
WHERE THERE ARE CLOSE TOLERANCES INVOLVED IN CABINET BUILDING OR APPLICATIONS WHICH REQUIRE A GREAT DEGREE OF PRECISION, WE RECOMMEND THAT THE PRODUCT ITSELF BE USED TO MAKE THE ACTUAL MEASUREMENTS. SONY WILL NOT BE HELD RESPONSIBLE FOR INACCURACIES IN THE DESIGN OR MANUFACTURE OF ENCLOSURES.

Consumer Integrated Systems - Park Ridge, New Jersey 07656 - Fax (201)930-7891 - www.sony.com/dn

Features and specifications subject to change without notice. Non-Metric weights and measurements are approximate.

SONY

Model: KLV-40ZX1M

Description: LCD Monitor

Dimensions: 38 3/4" x 26 3/4" x 12"

(WHD): 38 3/4" x 23 1/2" x 18" w/o stand

38 3/4" x 26 3/4" x 18" w/speaker and optional wall bracket

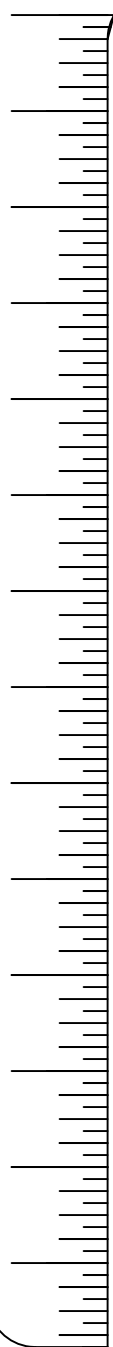
Weight: 33.1 lb

Carton Dimensions: tbd

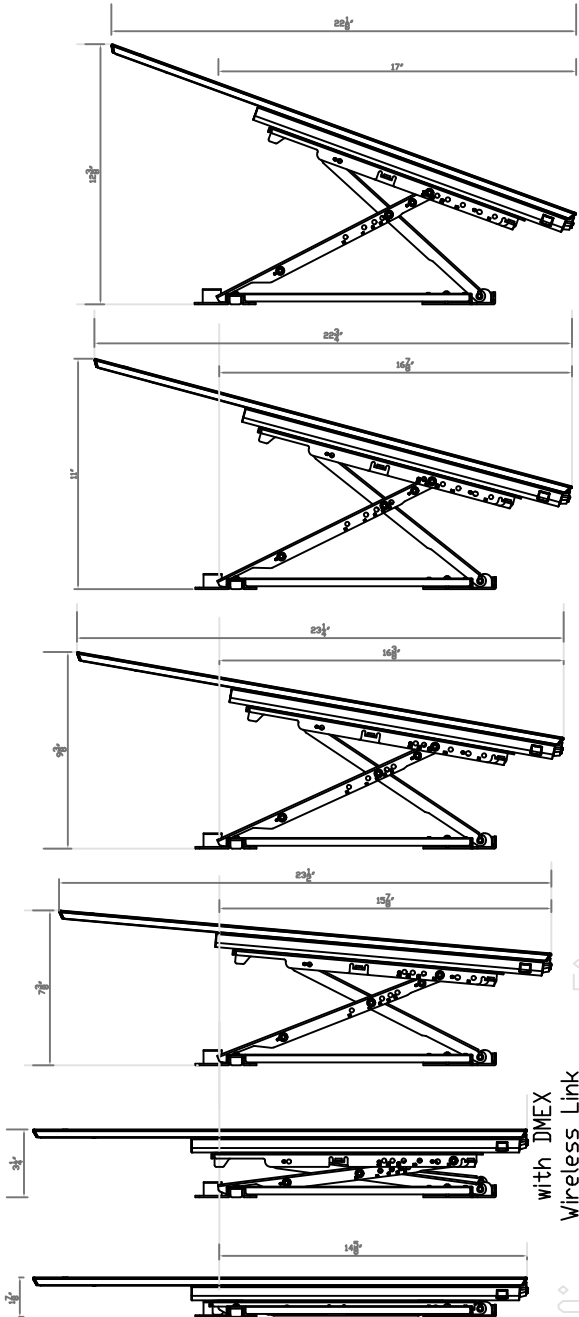
(WHD):

Power 120V AC

requirements: 60HZ

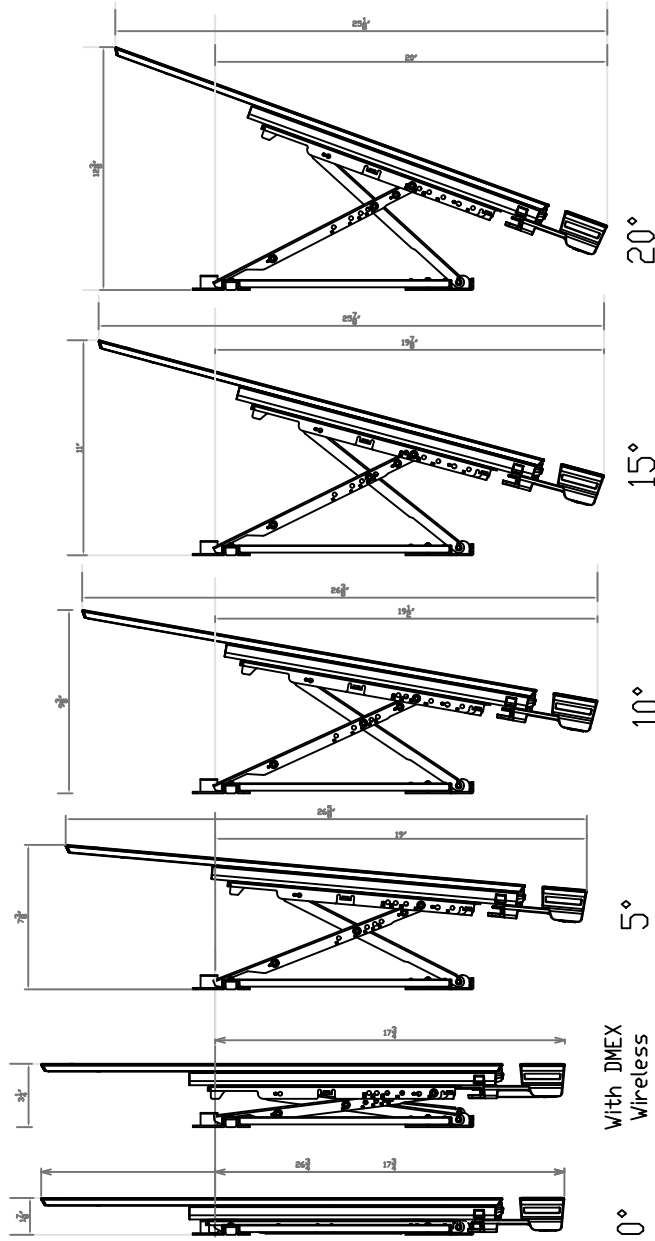


MONITOR + WALL-MOUNT BRACKET



with DMEX Wireless Link

MONITOR + WALL-MOUNT BRACKET & SPEAKER SYSTEM



With DMEX Wireless Link

NOTE:

WHERE THERE ARE CLOSE TOLERANCES INVOLVED IN CABINET BUILDING OR APPLICATIONS WHICH REQUIRE A GREAT DEGREE OF PRECISION, WE RECOMMEND THAT THE PRODUCT ITSELF BE USED TO MAKE THE ACTUAL MEASUREMENTS. SONY WILL NOT BE HELD RESPONSIBLE FOR INACCURACIES IN THE DESIGN OR MANUFACTURE OF ENCLOSURES.

Consumer Integrated Systems - Park Ridge, New Jersey 07656 - Fax (201)930-7891 - www.sony.com/dn

Features and specifications subject to change without notice. Non-Metric weights and measurements are approximate.