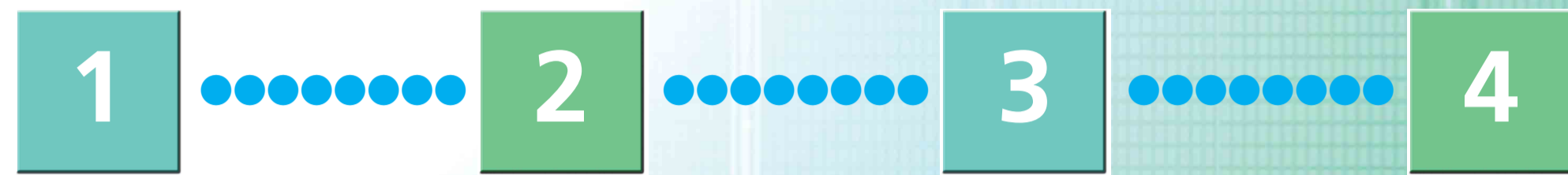


KLVS15G10
KLV-S20G10

Quick Setup Guide

Please follow the steps to setup your TV:



1 Checking the Supplied Accessories

2 Connecting Your TV (See reverse side)

3 Running Initial Setup

4 Programming the Remote Control

If your product is not working properly **DO NOT RETURN TO THE STORE.** For service and technical assistance Call our Customer Information Service Center (Toll Free): 1-800-222-SONY (7669) for US residents. 1-877-899-SONY (7669) for Canadian residents.

Sony Corporation © 2005 Printed in Taiwan

Making Video Connections

Your TV includes several types of video inputs. Use the inputs that are available on your components that provide the best video performance, as shown in the table on the right.

Connector type	Best Video Performance
Component video*	
S VIDEO	
Composite video	
RF/Coaxial	

* Support 480i, 480p

Additional Connections

Depending on which components are in your system, you may need to complete additional connections. For example, if you have a satellite receiver, you'll need to connect the satellite antenna. If you have an A/V receiver, you'll need to connect speakers.

Note

The connection diagrams shown on the reverse side are recommendations only; other possible solutions may exist. Connections that include an A/V receiver can often be very complex, so check your A/V receiver's instruction manual for additional details.

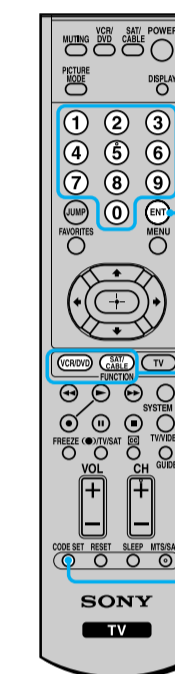
4 Programming the Remote Control

The remote control is preset to operate Sony brand video equipment.

Sony Equipment	Programmable Code Number
VCR/DVD	301 (Sony VCR)
SAT/CABLE	801 (Sony Satellite Receiver)

Follow the steps below to program your TV's remote control to operate non-Sony video equipment.

Using the code list below, find the three-digit code number for the manufacturer of your equipment. (If more than one code number is listed, use the number listed first.)



- Press CODE SET.
- Press the **VCR/DVD** or **SAT/CABLE** FUNCTION button you want to program on the remote control. The selected FUNCTION button (VCR/DVD or SAT/CABLE) will flash.
- Enter the three-digit manufacturer's code number using the **0-9** buttons while the button is lit (approximately 10 seconds).
- Press **ON** button. When the programming is correct, the selected FUNCTION button will flash twice slowly, and when not, flashes five times quickly.

To check if the code works

Aim your TV's remote control at the equipment, and press the VCR/DVD and/or SAT/CABLE (POWER) button that corresponds with the equipment. If the equipment responds, the programming is completed. If not, try the next code listed.

Notes

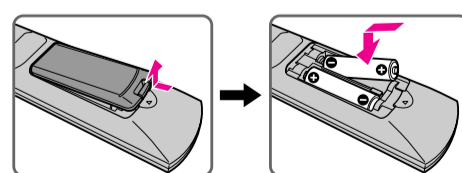
- If you enter a new code number, the code number you previously entered at that setting is erased.
- If no code is input within the above specified time, or an invalid or incorrect code number is input, the remote control automatically goes back to the previous setting.
- In some cases, you may not be able to program your remote control to operate other equipment. In such cases, use the equipment's own remote control.
- Dead batteries or removing the batteries may cause the programmable codes to be lost and revert back to factory settings. Reprogramming the codes may be necessary.

1 Checking the Supplied Accessories

- Remote control (RM-Y1104) (1) and size AA batteries (2)
- 75-ohm coaxial cable (ferrite core attached) (1)
- AC power cord (1)
- AC power adaptor (1) (KLV-S15G10 only)
- VESA adaptor: bracket A (1), bracket B (1) and screws (2) (KLV-S15G10 only)
- Operating Instructions
- Quick Setup Guide
- Leaflet (Installing the Wall-Mount Bracket to the TV, KLV-S20G10 only) (1)
- Warranty Card

Inserting Batteries into the Remote Control

Insert two size AA batteries (supplied) by matching the **+** and **-** on the batteries to the diagram inside the remote control's battery compartment.



2 Connecting Your TV

- Review the following chart to determine which diagram to use to connect the components in your system:

For these components	See reverse side
Cable/Antenna OR Cable Box OR Satellite Receiver OR VCR	A
Cable/Antenna OR Cable Box OR Satellite Receiver OR DVD Player	B
Cable/Antenna OR Cable Box OR Satellite Receiver OR VCR OR DVD Player	C

- See the "Cables Required" chart that appears with the diagram to determine which cables you'll need. You may need to purchase extra accessories, such as cables and splitters, depending on the components you plan to connect.
- Turn off and unplug all components before making connections.
- If you are connecting a digital cable box, you'll need a special bi-directional splitter that's compatible with your cable box. Contact your cable provider for details.

3 Running Initial Setup

- Press POWER to turn on the TV. The Initial Setup screen appears.
- Press **↑** or **↓** on the remote control to select the on-screen display language. Then press **OK**. The message "First please connect cable/antenna" appears.

Note

By default, Auto Program is set to scan cable TV channels.

- Press CH+ to start Auto Program.

Auto Program automatically creates a list of receivable channels. When finished, the lowest numbered channel is displayed. When all the receivable channels are stored, the "Show/Hide Channels" menu appears.

To scan available VHF/UHF antenna channels instead of the cable TV channels

- Press MENU, then go to Channels menu.
- Set Cable to Off.
- Start Auto Program by pressing **CH+**.

To perform Auto Program again, follow the above instructions. Depending on your signal source, be sure to set Cable to On or Off accordingly (see Operating Instructions).

Note

The Initial Setup menu will appear each time the TV is turned on until you complete the scanning for the available channels.

Manufacturer's Codes	Manufacturer	Code	DVD Players	Manufacturer	Code
VCRs	Minolta	305, 304	Manufacturer	Code	
Sony	Mitsubishi/MGA	323, 324, 325, 326	Sony	751	
Admiral (M. Ward)	Multitech	325, 338, 321	Panasonic	753	
Aiwa *	NEC	314, 336, 337	Pioneer	752	
Audio Dynamic	Philco	309, 308	RCA	755	
Broksonic	Philips	309, 308	Toshiba	754	
Canon	Pioneer	308			
Citizen	Quasar	308, 309, 306			
Craig	RCA/PROSCAN	304, 305, 308, 309, 311, 312, 313, 310, 329	Cable Boxes	Manufacturer	Code
Criterion	Realistic	309, 330, 328, 335, 324, 338	Sony	230	
Curtis Mathes	Sansui	314	Hamlin/Regal	222, 223, 224, 225, 226	
Daewoo	Samsung	322, 313, 321	Jerrold/G. I/ Motorola	201, 202, 203, 204, 205, 206, 207, 208, 218	
DBX	Sanyo	330, 335	Oak	227, 228, 229	
Dimensia	Scott	312, 313, 321, 335, 323, 324, 325, 326	Panasonic	219, 220, 221	
Emerson	Sharp	327, 328	Pioneer	214, 215	
Fisher	Shintom	315	Scientific Atlanta	209, 210, 211	
Funai	Signature 2000 (M. Ward)	338, 327	Tocom	216, 217	
General Electric	SV2000	338	Zenith	212, 213	
Go Video	Sylvania	308, 309, 338, 310			
Goldstar	Symphonic	338	Satellite Receivers	Manufacturer	Code
Hitachi	Tashiro	332	Sony	801	
Instant Replay	Tatung	314, 336, 337	General Electric	802	
JC Penney	Teac	314, 336, 338, 337	Hitachi	805	
JVC	Technics	309, 308	Hughes	804	
Kenwood	Toshiba	312, 311	Panasonic	803	
LXI (Sears)	Wards	327, 328, 335, 331, 332	RCA/PROSCAN	802, 808	
LG	Yamaha	314, 330, 336, 337	Toshiba	806, 807	
Magnavox	Zenith	331			
Marantz					
Marta					
Memorex					

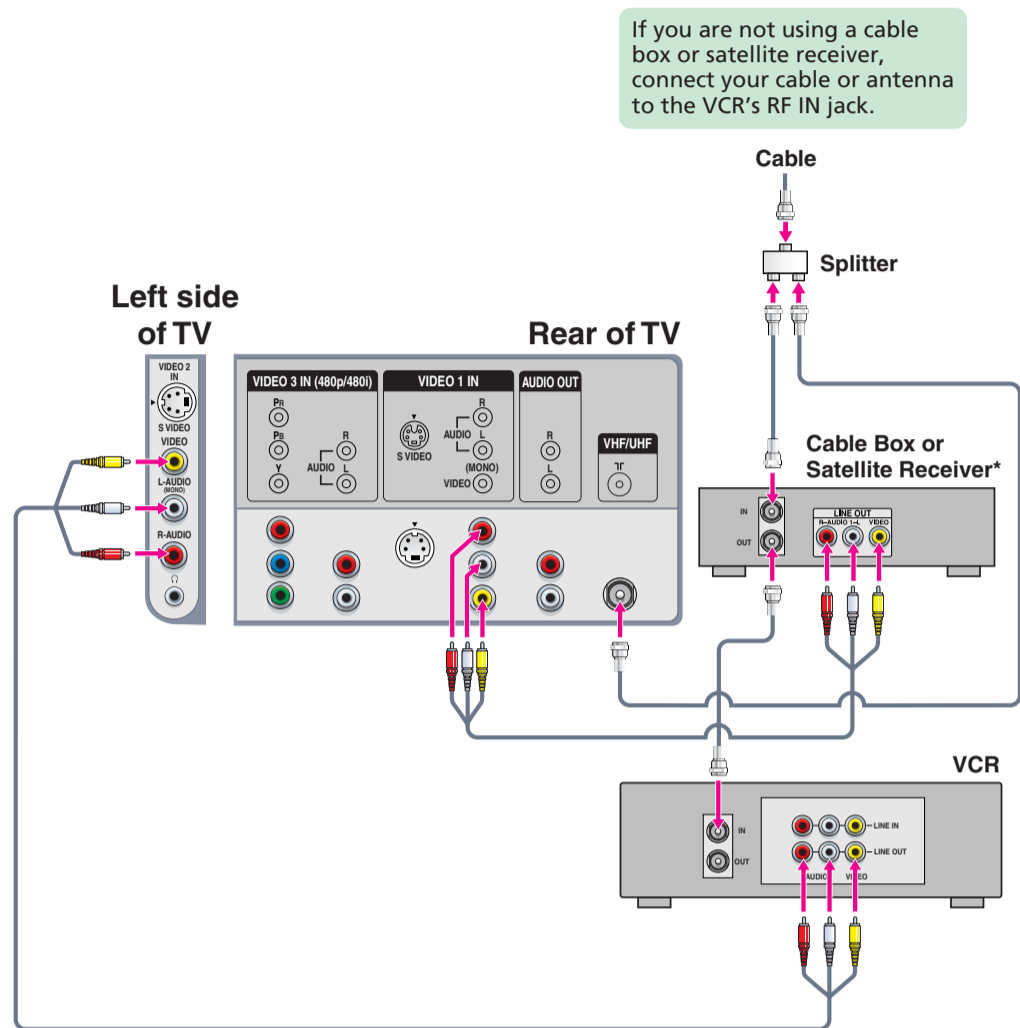
* If an Aiwa VCR does not work even though you enter the code for Aiwa, enter the code for Sony instead.

A (KLV-S15G10)

Use this diagram if you have;

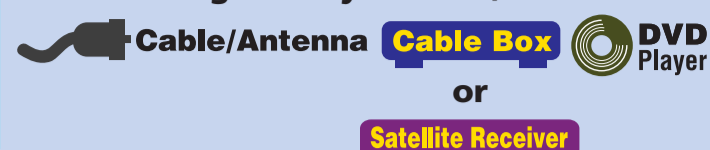


Cables Required	
Splitter	1
Coaxial	4
Composite	2

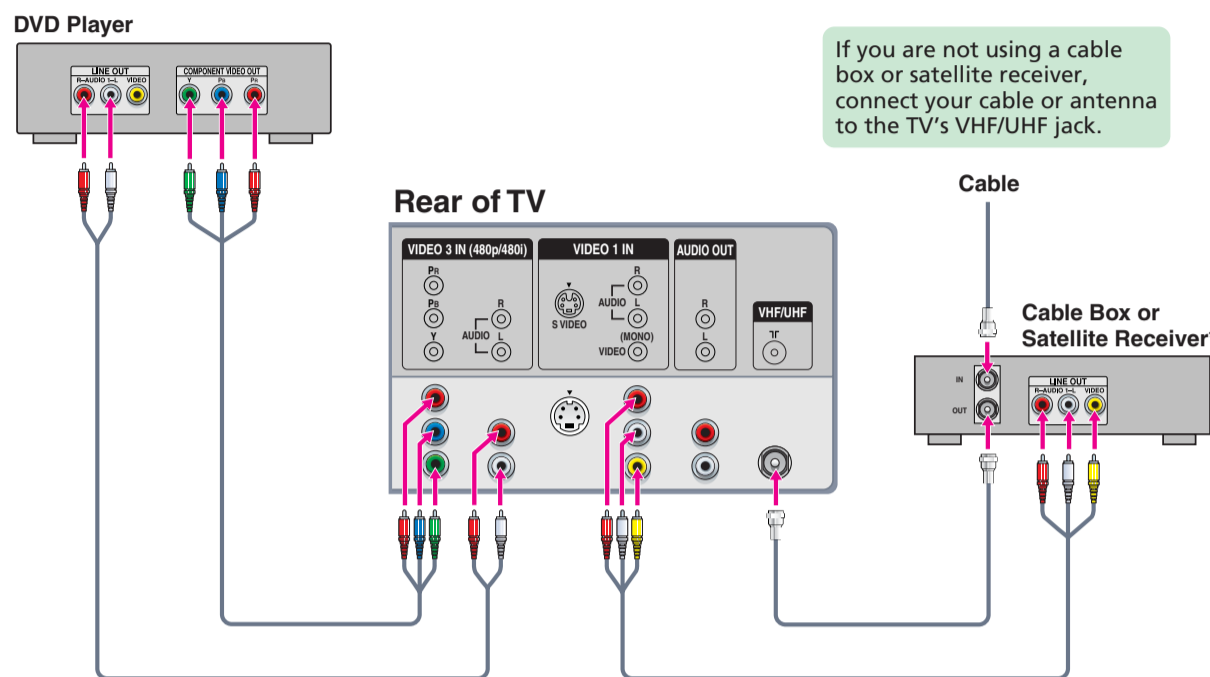


B (KLV-S15G10)

Use this diagram if you have;

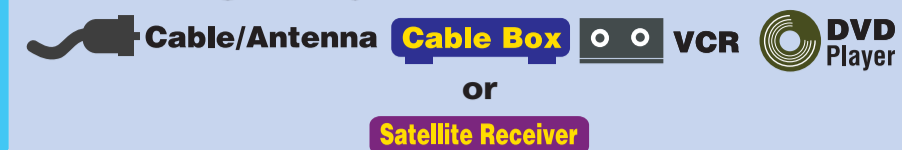


Cables Required	
Coaxial	2
Composite	1
Component	1
Audio	1

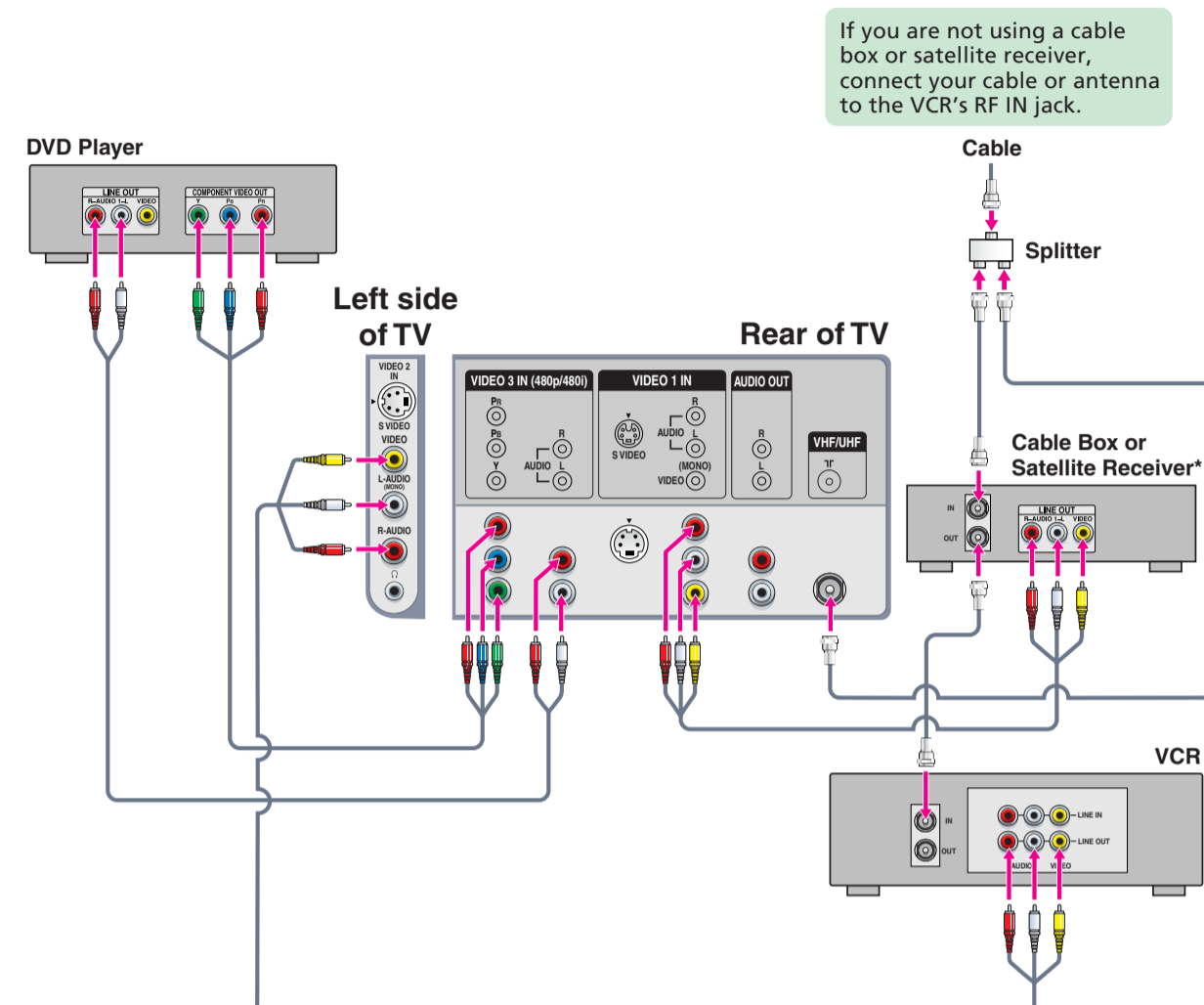


C (KLV-S15G10)

Use this diagram if you have;



Cables Required	
Splitter	1
Coaxial	4
Composite	2
Component	1
Audio	1

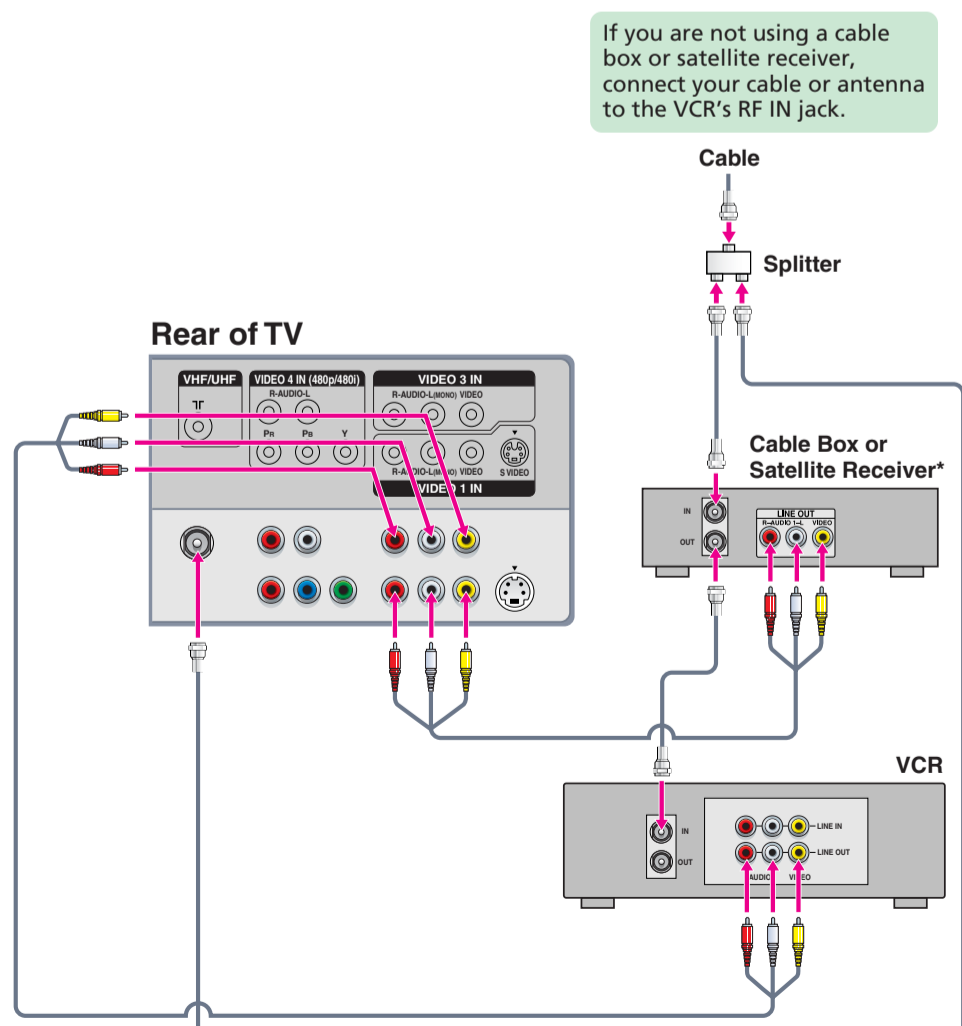


A (KLV-S20G10)

Use this diagram if you have;

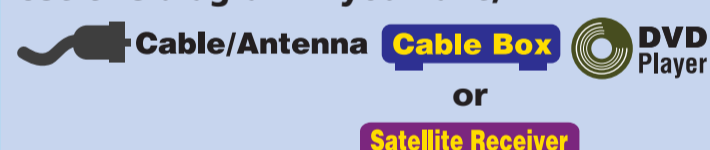


Cables Required	
Splitter	1
Coaxial	4
Composite	2

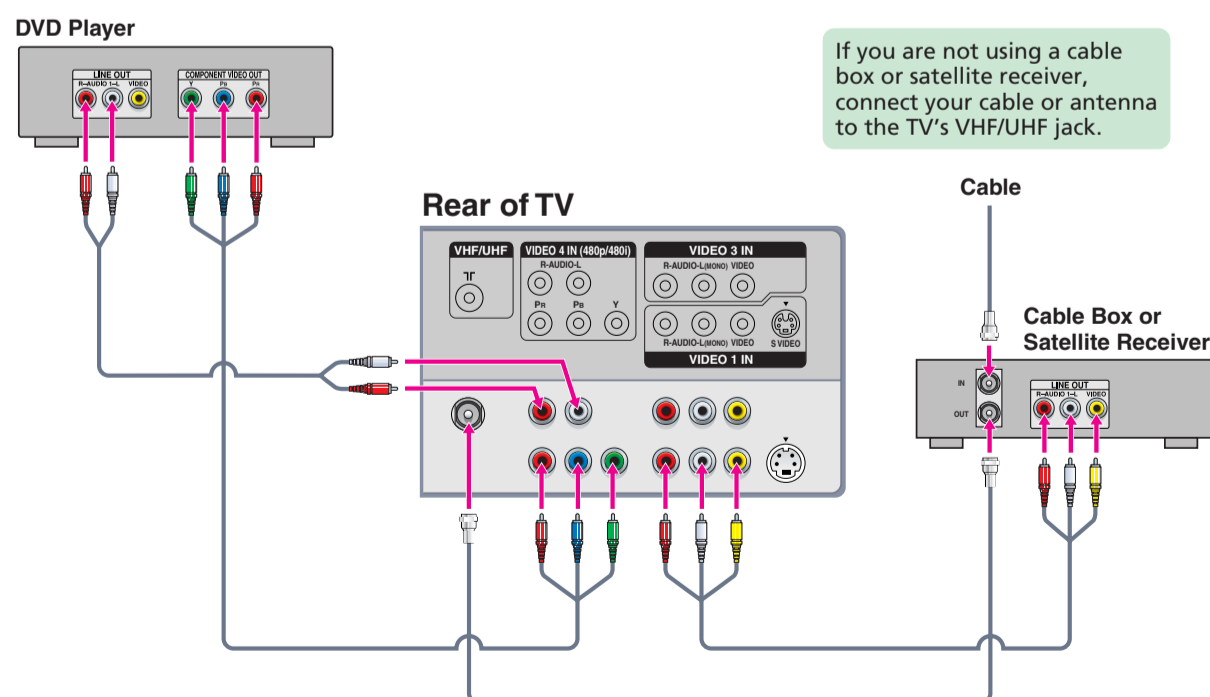


B (KLV-S20G10)

Use this diagram if you have;



Cables Required	
Coaxial	2
Composite	1
Component	1
Audio	1

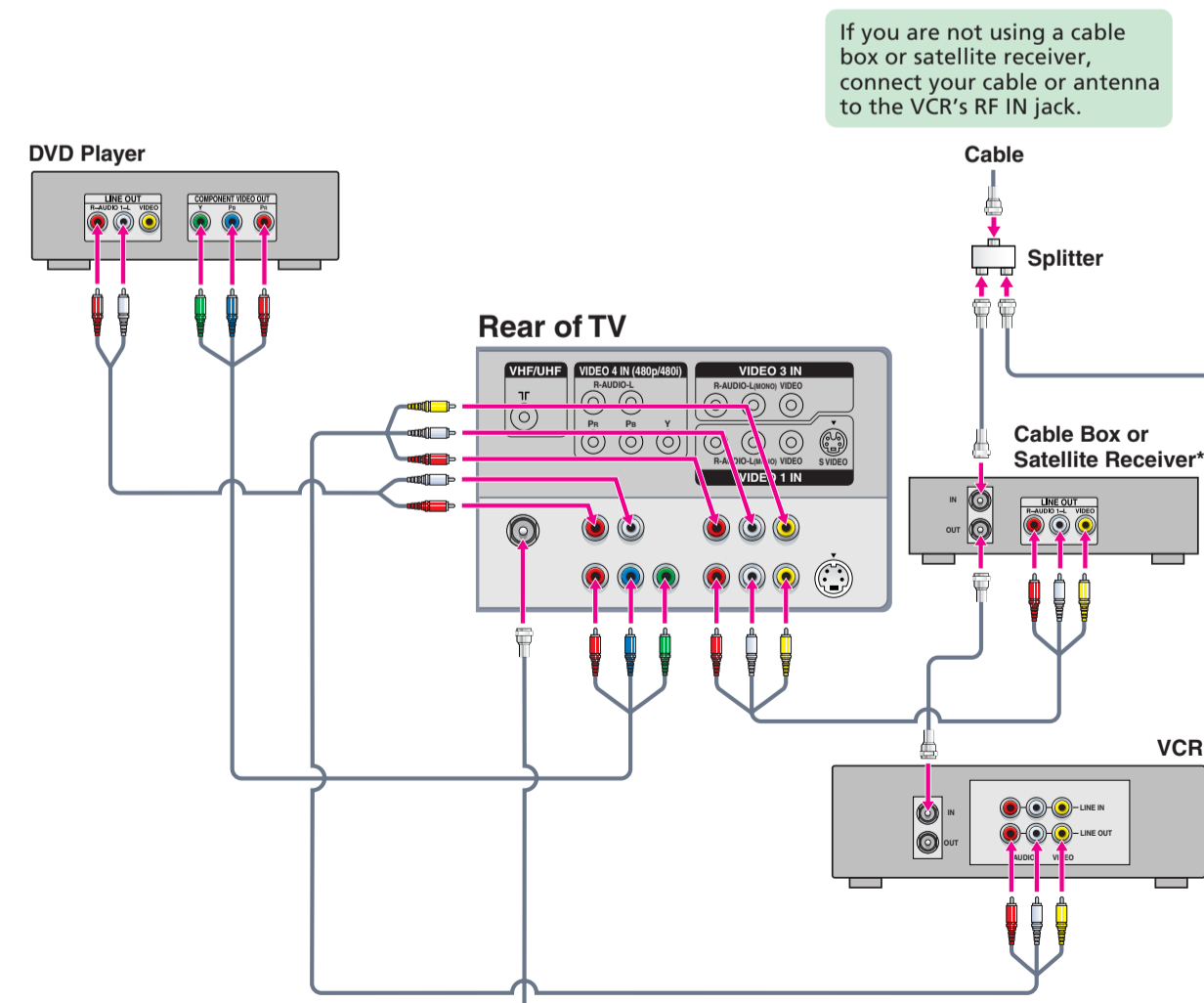


C (KLV-S20G10)

Use this diagram if you have;



Cables Required	
Splitter	1
Coaxial	4
Composite	2
Component	1
Audio	1



* Satellite Antenna Cable not shown.