

SONY

KLVS15G10

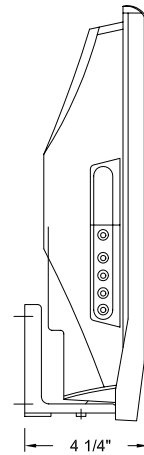
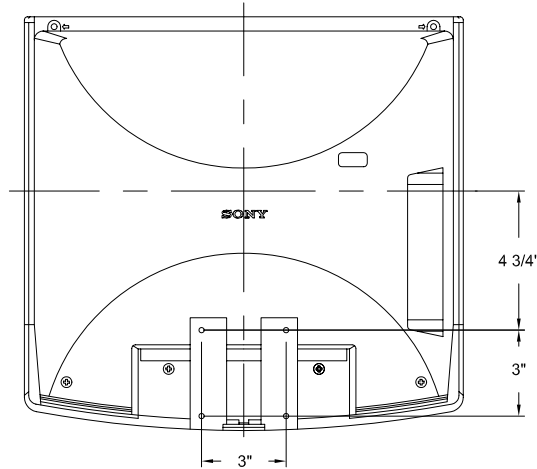
DESCRIPTION: - POWER
 DIMENSIONS 15" x 15 5/8" x 7 1/16" REQUIREMENTS: 120VAC
 (WHD): *(15" x 14 1/4" x 3 5/8") POWER 60Hz
 WEIGHT: 9Lb 40z *(7Lb 150z) CONSUMPTION: _____
 *WITHOUT STAND

WITH VESA ADAPTOR

VESA

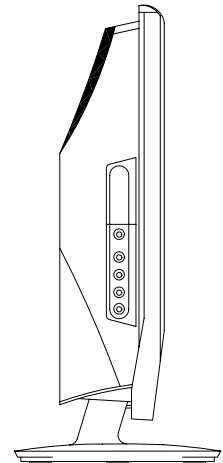
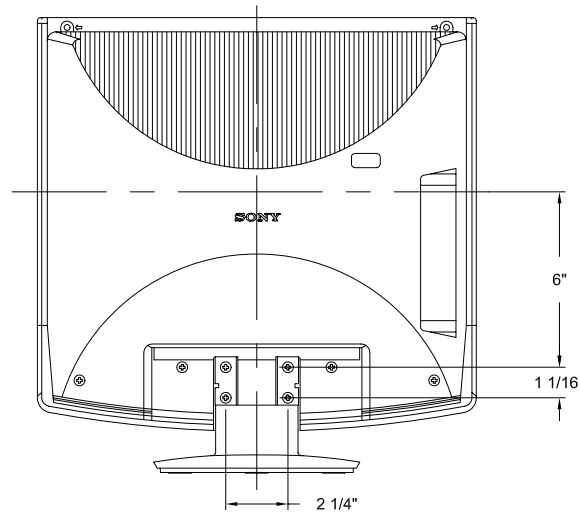
BACK VIEW

SIDE VIEW



BACK VIEW

SIDE VIEW



NOTE: This drawing is based on prototype and/or pre-production models, not final product and should be used to estimate space and electrical requirements only!

NOTE:
 WHERE THERE ARE CLOSE TOLERANCES INVOLVED IN CABINET BUILDING OR APPLICATIONS WHICH REQUIRE A GREAT DEGREE OF PRECISION WE RECOMMEND THAT THE PRODUCT ITSELF BE USED TO MAKE THE ACTUAL MEASUREMENTS. SONY WILL NOT BE RESPONSIBLE FOR INACCURACIES IN THE DESIGN OR MANUFACTURE OF ENCLOSURES.

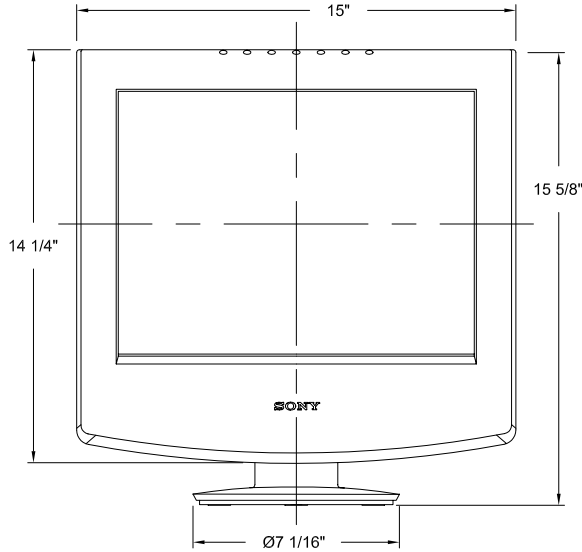
SONY

KLVS15G10

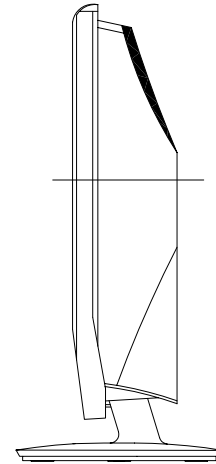
DESCRIPTION: - POWER
 DIMENSIONS 15" x 15 5/8" x 7 1/16" REQUIREMENTS: 120VAC
 (WHD): *(15" x 14 1/4" x 3 5/8") POWER 60Hz
 WEIGHT: 9Lb 40z *(7Lb 150z) CONSUMPTION: _____
 *WITHOUT STAND

WITH VESA ADAPTOR

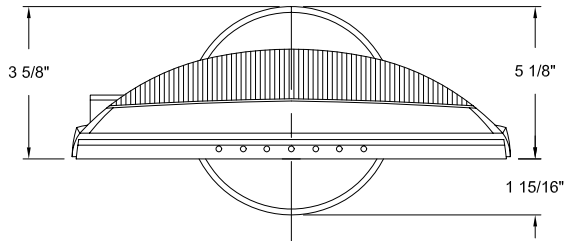
FRONT VIEW



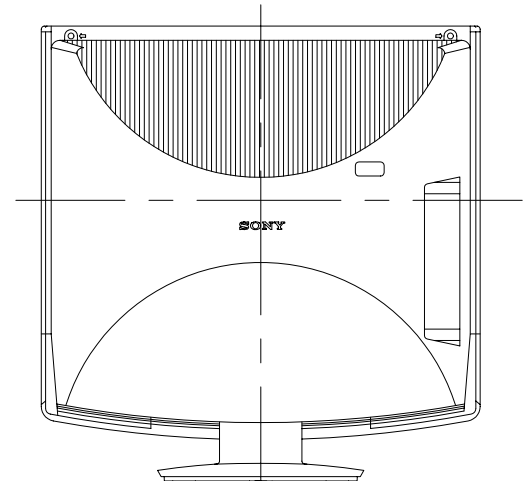
SIDE VIEW



TOP VIEW



BACK VIEW



NOTE: This drawing is based on prototype and/or pre-production models, not final product and should be used to estimate space and electrical requirements only!

NOTE:
 WHERE THERE ARE CLOSE TOLERANCES INVOLVED IN CABINET BUILDING OR APPLICATIONS WHICH REQUIRE A GREAT DEGREE OF PRECISION WE RECOMMEND THAT THE PRODUCT ITSELF BE USED TO MAKE THE ACTUAL MEASUREMENTS. SONY WILL NOT BE RESPONSIBLE FOR INACCURACIES IN THE DESIGN OR MANUFACTURE OF ENCLOSURES.