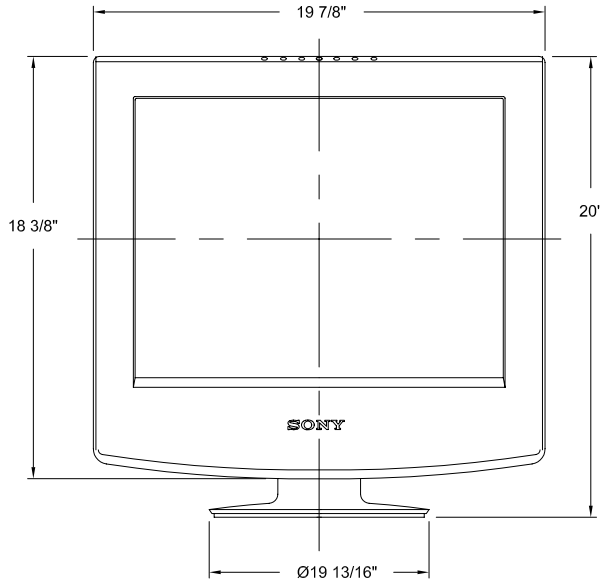


SONY

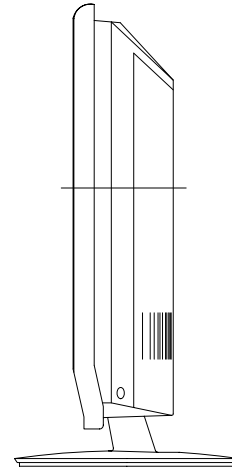
KLV-S20G10

DESCRIPTION: - POWER
DIMENSIONS 19 7/8" x 20" x 9 13/16" REQUIREMENTS: 120VAC
(WHD): *(19 7/8" x 18 3/8" x 4 1/32") POWER 60Hz
WEIGHT: 19Lb 130z *(16Lb 80z) CONSUMPTION: _____
*WITHOUT STAND

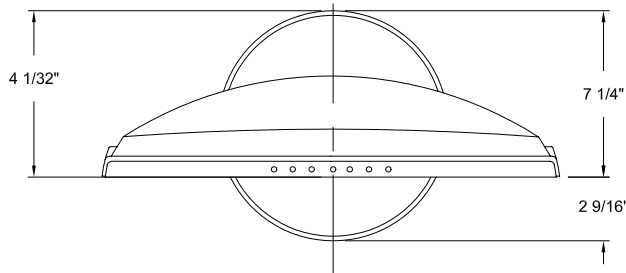
FRONT VIEW



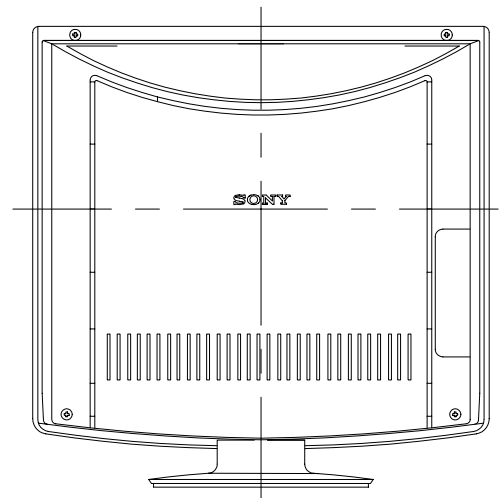
SIDE VIEW



TOP VIEW



BACK VIEW



NOTE: This drawing is based on prototype and/or pre-production models, not final product and should be used to estimate space and electrical requirements only!

NOTE:

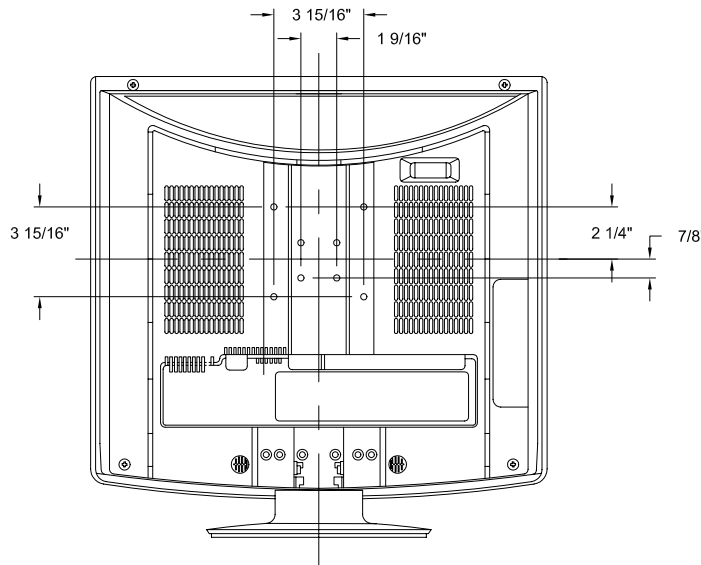
WHERE THERE ARE CLOSE TOLERANCES INVOLVED IN CABINET BUILDING OR APPLICATIONS WHICH REQUIRE A GREAT DEGREE OF PRECISION WE RECOMMEND THAT THE PRODUCT ITSELF BE USED TO MAKE THE ACTUAL MEASUREMENTS. SONY WILL NOT BE RESPONSIBLE FOR INACCURACIES IN THE DESIGN OR MANUFACTURE OF ENCLOSURES.

SONY

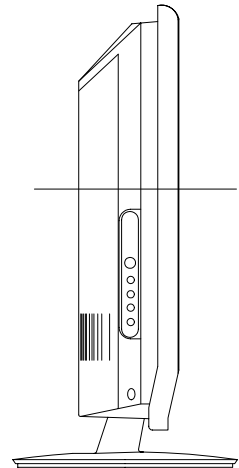
KLV-S20G10

DESCRIPTION: - POWER
 DIMENSIONS 19 7/8" x 20" x 9 13/16" REQUIREMENTS: 120VAC
 (WHD): *(19 7/8" x 18 3/8" x 4 1/32") POWER 60Hz
 WEIGHT: 19Lb 13oz *(16Lb 80z) CONSUMPTION: _____
 *WITHOUT STAND

BACK VIEW



SIDE VIEW



NOTE: This drawing is based on prototype and/or pre-production models, not final product and should be used to estimate space and electrical requirements only!

NOTE:
 WHERE THERE ARE CLOSE TOLERANCES INVOLVED IN CABINET BUILDING
 OR APPLICATIONS WHICH REQUIRE A GREAT DEGREE OF PRECISION WE
 RECOMMEND THAT THE PRODUCT ITSELF BE USED TO MAKE THE ACTUAL
 MEASUREMENTS. SONY WILL NOT BE RESPONSIBLE FOR INACCURACIES
 IN THE DESIGN OR MANUFACTURE OF ENCLOSURES.