

SONY

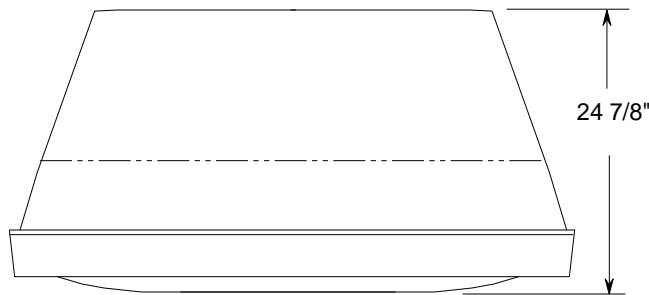
KP-51WS500

DESCRIPTION: 51" Hi-Scan
Projection TV
DIMENSIONS (WHD): 47" x 51 5/8" x 24 7/8"
WEIGHT: 168 Lbs (approx.)

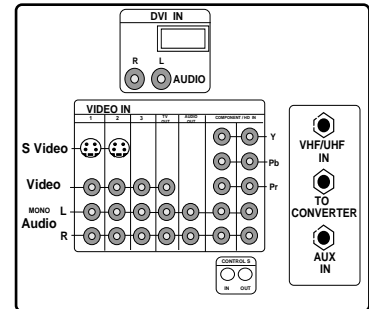
POWER REQUIREMENTS: 120V AC
60Hz
CONSUMPTION: 260w(max)
1w(stby)

RM-Y909 REMOTE CONTROL

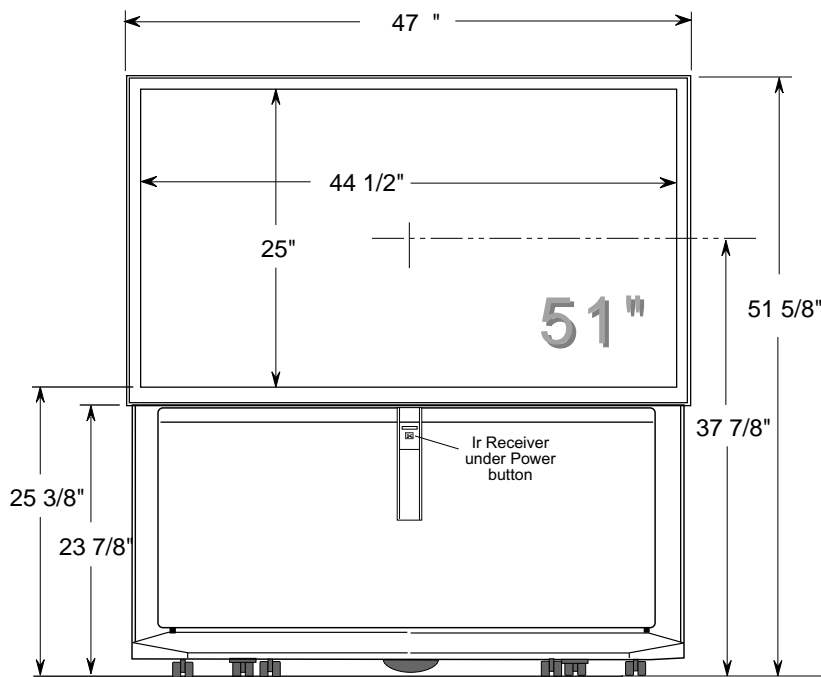
TOP VIEW



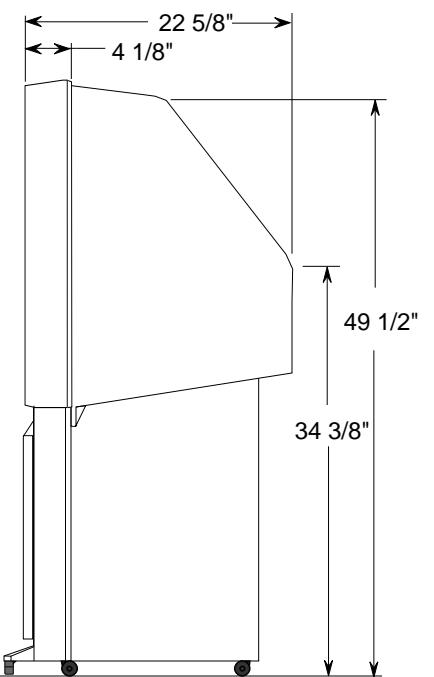
JACK PACK



FRONT VIEW



SIDE VIEW



NOTE :

WHERE THERE ARE CLOSE TOLERANCES INVOLVED IN CABINET BUILDING OR APPLICATIONS WHICH REQUIRE A GREAT DEGREE OF PRECISION WE RECOMMEND THAT THE PRODUCT ITSELF BE USED TO MAKE THE ACTUAL MEASUREMENTS. SONY WILL NOT BE RESPONSIBLE FOR INACCURACIES IN THE DESIGN OR MANUFACTURE OF ENCLOSURES .