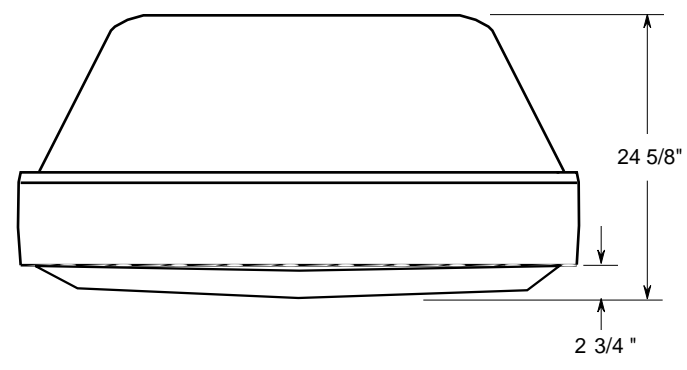


# SONY KP-53HS20/30

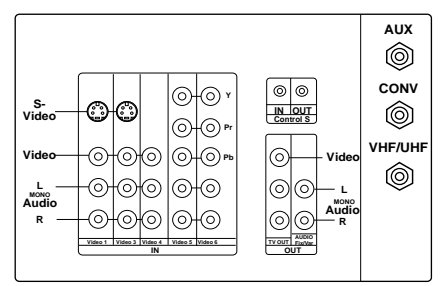
DESCRIPTION: 53" Hi-Scan POWER  
 Projection TV REQUIREMENTS: 120V AC  
 DIMENSIONS 60Hz  
 (WHD): 46 1/2" x 55 5/8" x 24 5/8" POWER  
 WEIGHT: 157 Lbs (approx.) CONSUMPTION: 250w(max)  
1w(stby)

## RM-Y908 REMOTE CONTROL

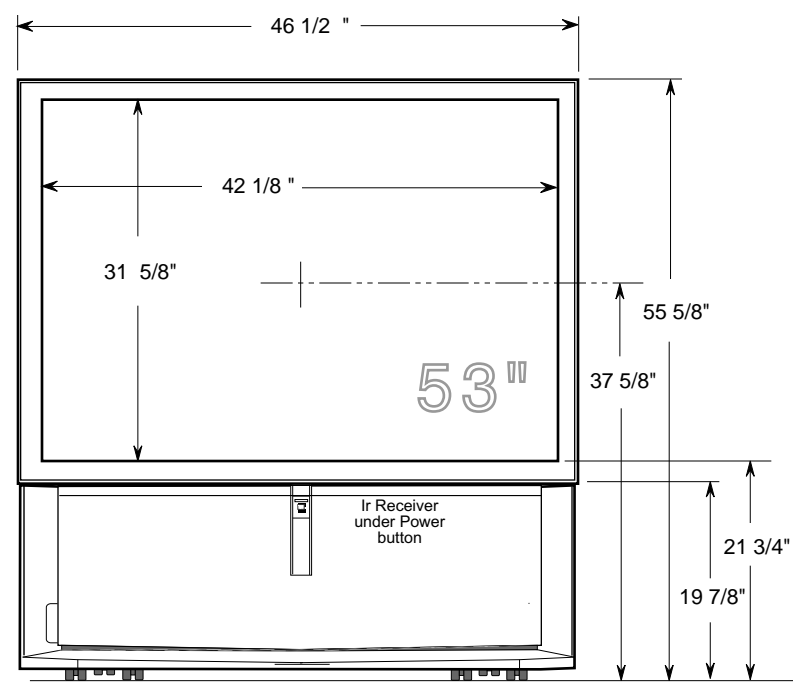
TOP VIEW



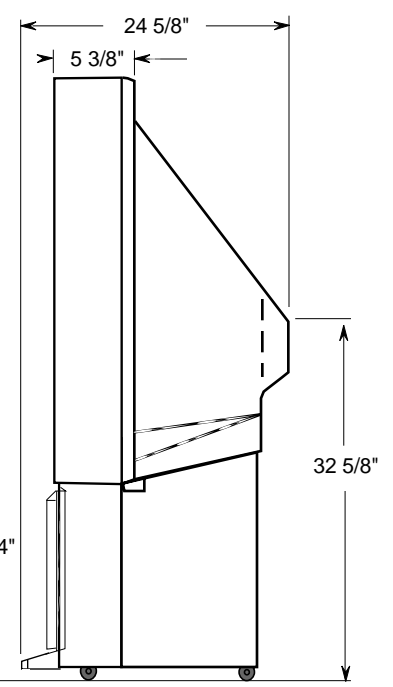
JACK PACK



FRONT VIEW



SIDE VIEW



NOTE:  
 WHERE THERE ARE CLOSE TOLERANCES INVOLVED IN CABINET BUILDING OR APPLICATIONS WHICH REQUIRE A GREAT DEGREE OF PRECISION WE RECOMMEND THAT THE PRODUCT ITSELF BE USED TO MAKE THE ACTUAL MEASUREMENTS. SONY WILL NOT BE RESPONSIBLE FOR INACCURACIES IN THE DESIGN OR MANUFACTURE OF ENCLOSURES .