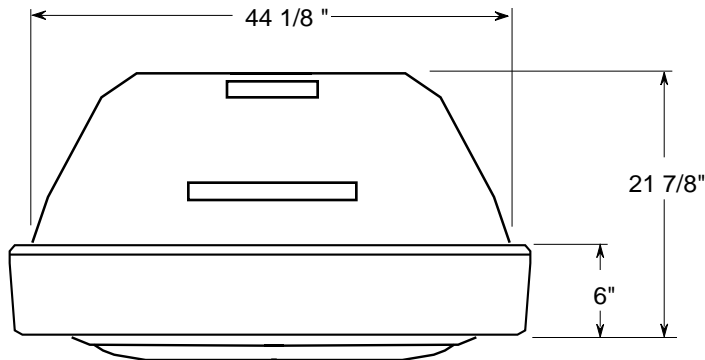


SONY

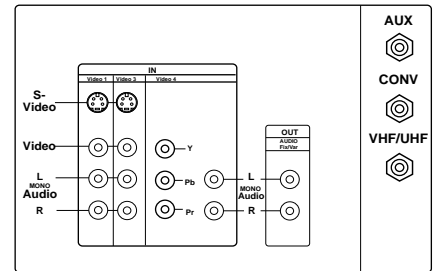
KP-53V90

DESCRIPTION: 53" Projection TV POWER REQUIREMENTS: 120V AC
DIMENSIONS (WHD): 46 3/8" x 55 7/8" x 24 7/8" POWER 60Hz
WEIGHT: 145 Lbs (approx.) CONSUMPTION: 170w(max)
1w(stby)

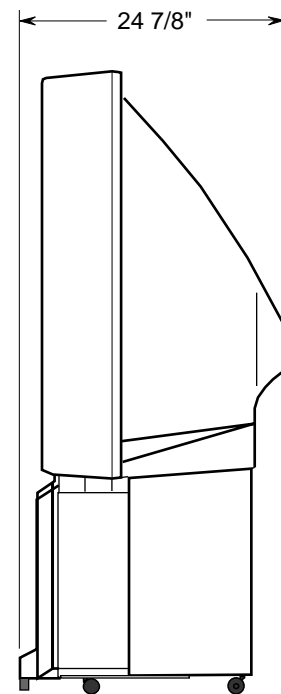
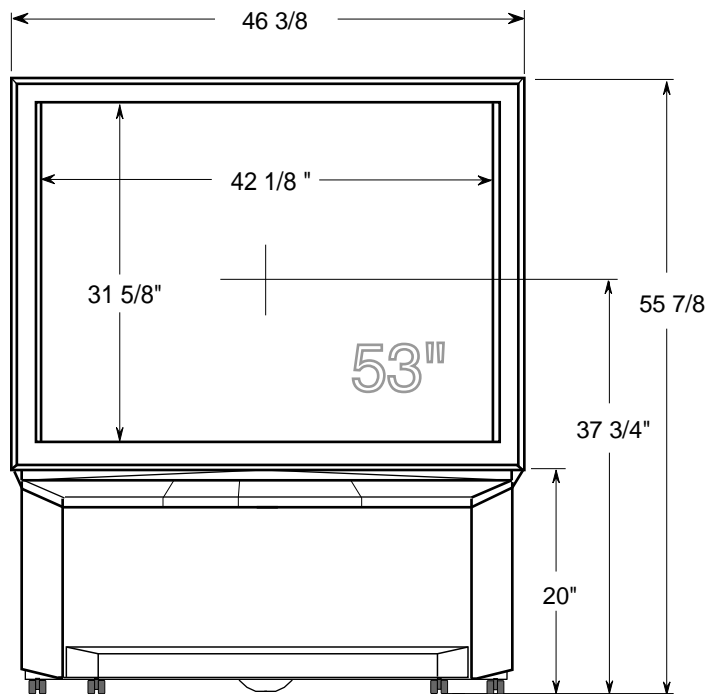
TOP VIEW



JACK PACK



FRONT VIEW



NOTE :

WHERE THERE ARE CLOSE TOLERANCES INVOLVED IN CABINET BUILDING OR APPLICATIONS WHICH REQUIRE A GREAT DEGREE OF PRECISION WE RECOMMEND THAT THE PRODUCT ITSELF BE USED TO MAKE THE ACTUAL MEASUREMENTS. SONY WILL NOT BE RESPONSIBLE FOR INACCURACIES IN THE DESIGN OR MANUFACTURE OF ENCLOSURES .