

SONY

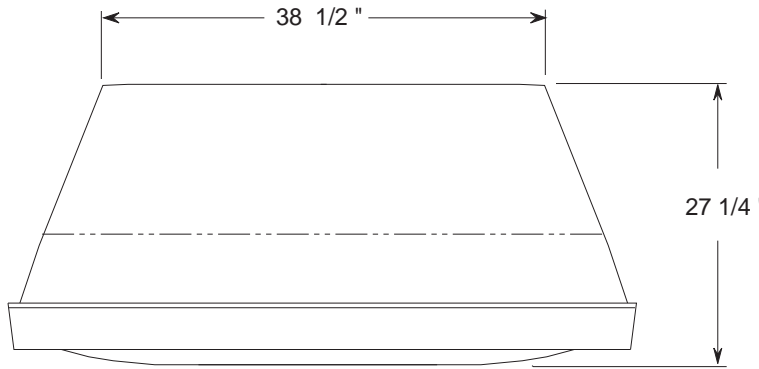
KP-57WS510

DESCRIPTION: 57" Hi-Scan
 DIMENSIONS Projection TV
 (WHD): 52 1/4" x 54 1/4" x 27 1/4"
 WEIGHT: 195 lbs Approx

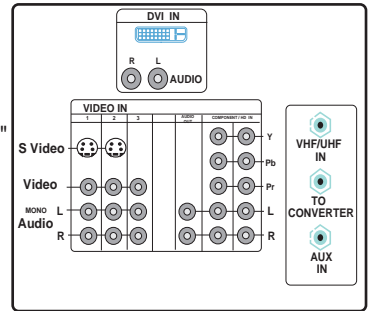
POWER REQUIREMENTS: 120VAC
 POWER 60Hz
 CONSUMPTION: 230 watts
<1 w (stby)

RM-Y909 REMOTE CONTROL

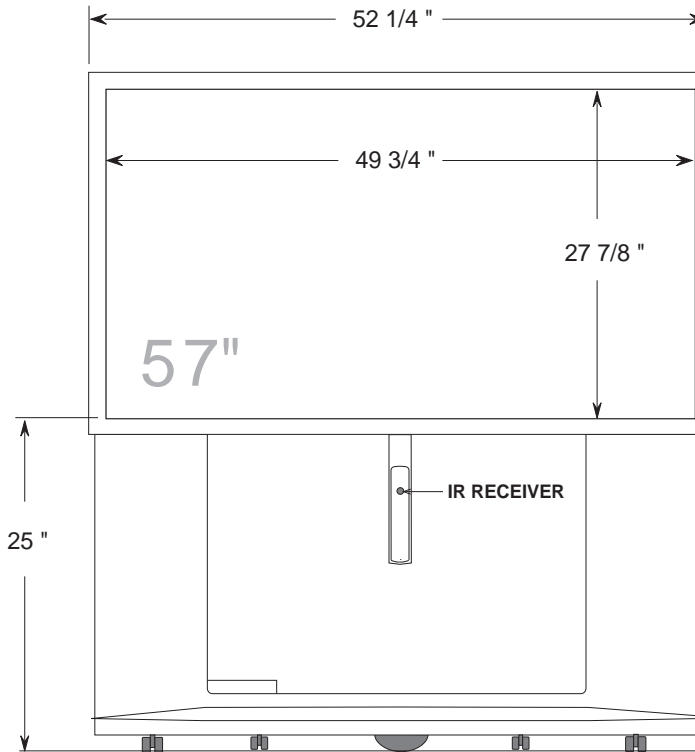
TOP VIEW



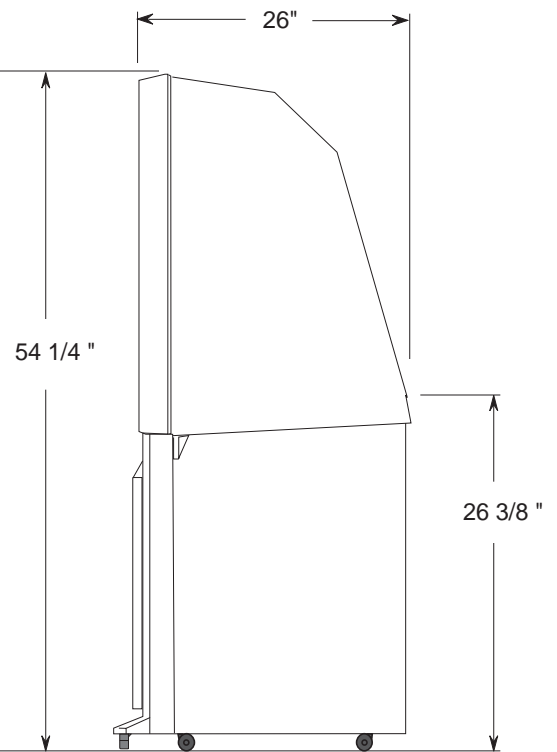
JACK PACK



FRONT VIEW



SIDE VIEW



NOTE:
 WHERE THERE ARE CLOSE TOLERANCES INVOLVED IN CABINET BUILDING OR APPLICATIONS WHICH REQUIRE A GREAT DEGREE OF PRECISION WE RECOMMEND THAT THE PRODUCT ITSELF BE USED TO MAKE THE ACTUAL MEASUREMENTS. SONY WILL NOT BE RESPONSIBLE FOR INACCURACIES IN THE DESIGN OR MANUFACTURE OF ENCLOSURES .