

**SONY**

**KP-61V90**

DESCRIPTION: 61" Projection TV

POWER

DIMENSIONS

REQUIREMENTS: 120V AC

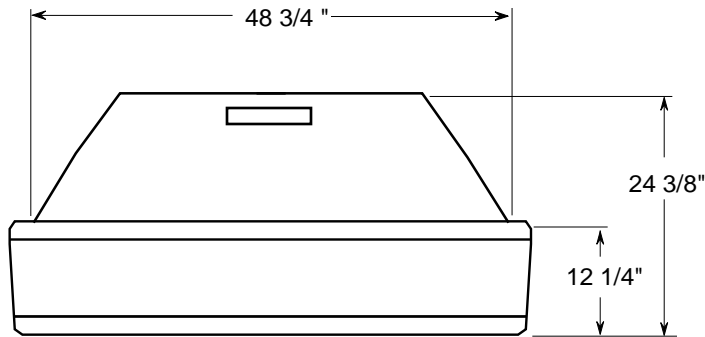
(WHD): 54" x 61 1/2" x 26 1/2"

POWER 60Hz

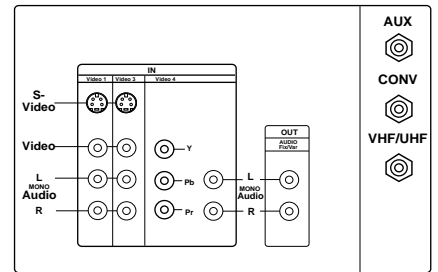
WEIGHT: 186 Lbs (approx.)

CONSUMPTION: 170w(max)  
1w(stby)

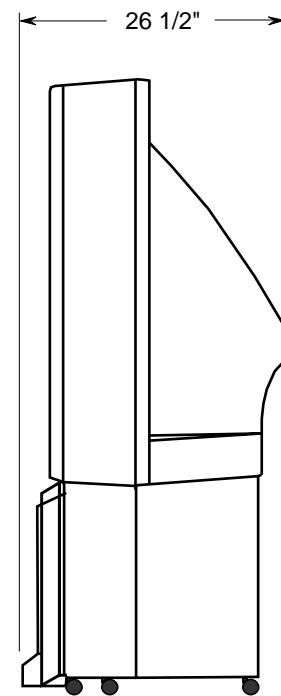
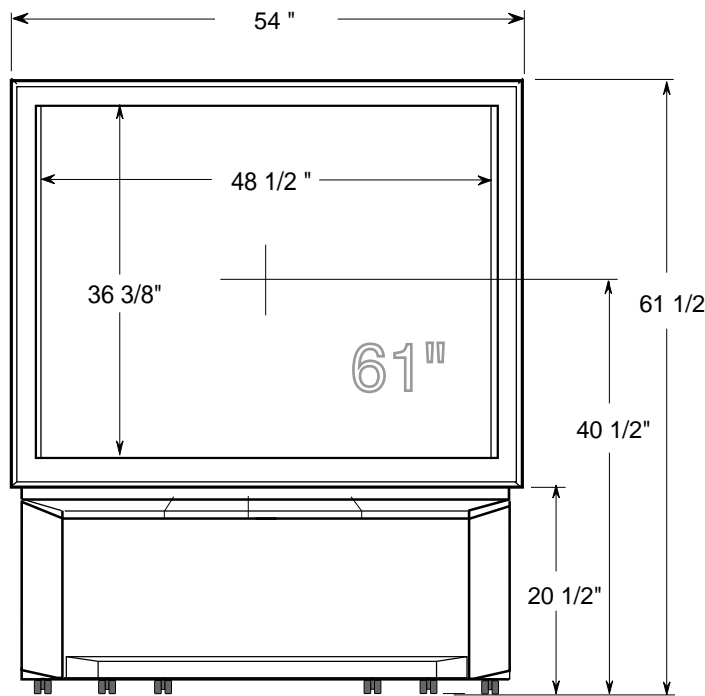
**TOP VIEW**



**JACK PACK**



**FRONT VIEW**



**NOTE :**

WHERE THERE ARE CLOSE TOLERANCES INVOLVED IN CABINET BUILDING OR APPLICATIONS WHICH REQUIRE A GREAT DEGREE OF PRECISION WE RECOMMEND THAT THE PRODUCT ITSELF BE USED TO MAKE THE ACTUAL MEASUREMENTS. SONY WILL NOT BE RESPONSIBLE FOR INACCURACIES IN THE DESIGN OR MANUFACTURE OF ENCLOSURES .