

# SONY

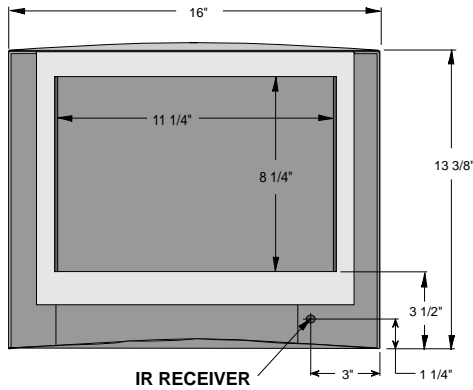
## KV-13FS100/110

### RM-Y173 REMOTE CONTROL

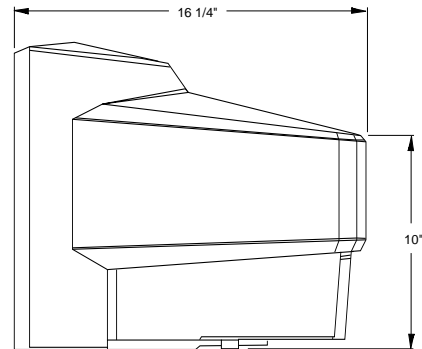
DESCRIPTION: 13" Wega®  
DIMENSIONS Monitor/Receiver  
(WHD): 16" x 13 3/8" x 16 1/4"  
WEIGHT: 26 lbs 7 oz

POWER REQUIREMENTS: 120VAC  
60Hz  
POWER CONSUMPTION: 100w  
1w(stby)

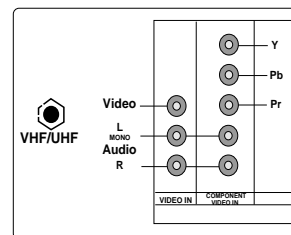
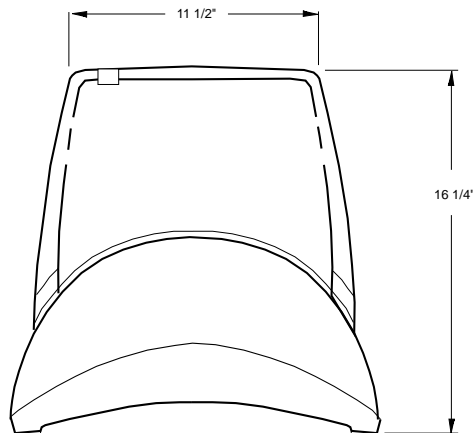
#### FRONT VIEW



#### SIDE VIEW



#### TOP VIEW



NOTE :  
WHERE THERE ARE CLOSE TOLERANCES INVOLVED IN CABINET BUILDING  
OR APPLICATIONS WHICH REQUIRE A GREAT DEGREE OF PRECISION WE  
RECOMMEND THAT THE PRODUCT ITSELF BE USED TO MAKE THE ACTUAL  
MEASUREMENTS. SONY WILL NOT BE RESPONSIBLE FOR INACCURACIES  
IN THE DESIGN OR MANUFACTURE OF ENCLOSURES .