

**SONY**

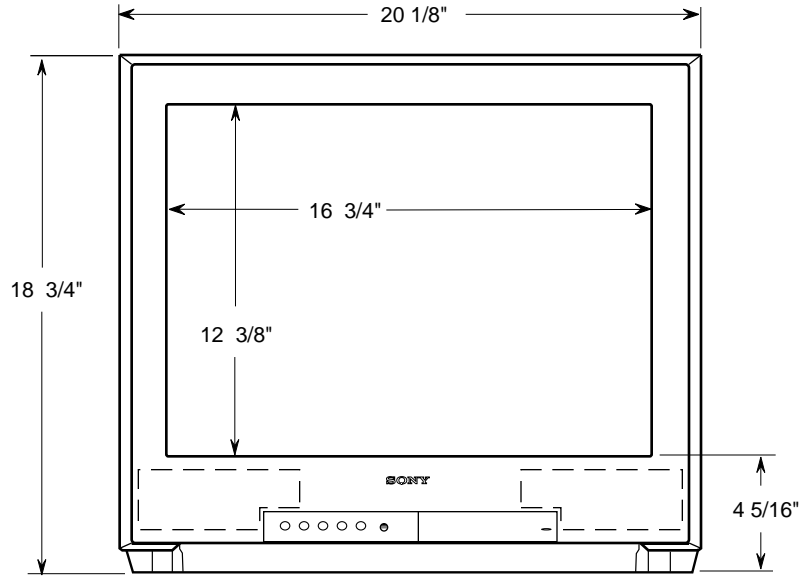
**KV-20FS12**

DESCRIPTION: 20" FD Trinitron® Monitor/Receiver  
DIMENSIONS (WHD): 20 1/8" x 18 3/4" x 19 3/8"  
WEIGHT: 53 lbs

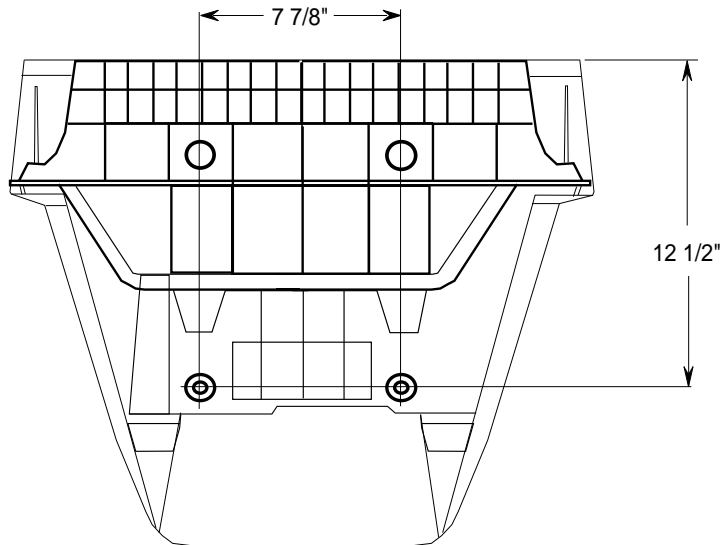
POWER REQUIREMENTS: 120V AC 60Hz  
CONSUMPTION: 115w(max) 1w(stby)

**RM-Y173 REMOTE CONTROL**

**FRONT VIEW**



**BOTTOM VIEW**



NOTE:  
WHERE THERE ARE CLOSE TOLERANCES INVOLVED IN CABINET BUILDING OR APPLICATIONS WHICH REQUIRE A GREAT DEGREE OF PRECISION WE RECOMMEND THAT THE PRODUCT ITSELF BE USED TO MAKE THE ACTUAL MEASUREMENTS. SONY WILL NOT BE RESPONSIBLE FOR INACCURACIES IN THE DESIGN OR MANUFACTURE OF ENCLOSURES .