

# SONY

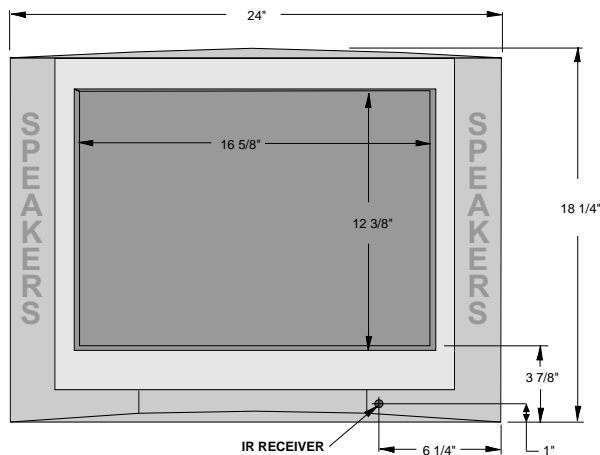
## KV-20FV300

RM-Y180 REMOTE CONTROL

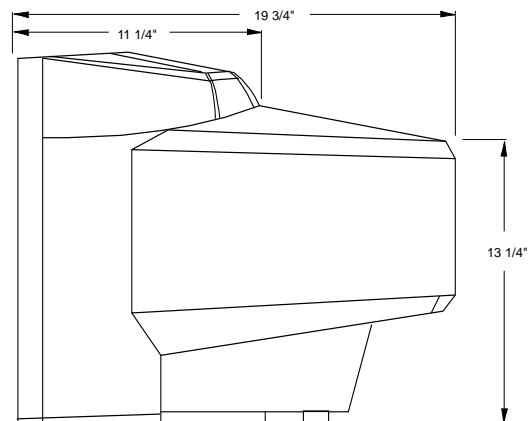
DESCRIPTION: 20" Wega®  
DIMENSIONS Monitor/Receiver  
(WHD): 24" x 18 1/4" x 19 3/4"  
WEIGHT: 59 lbs 8 oz

POWER REQUIREMENTS: 120VAC  
60Hz  
POWER CONSUMPTION: 155w  
1w(stby)

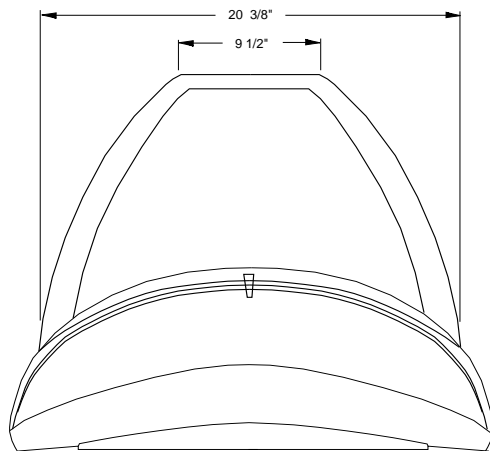
### FRONT VIEW



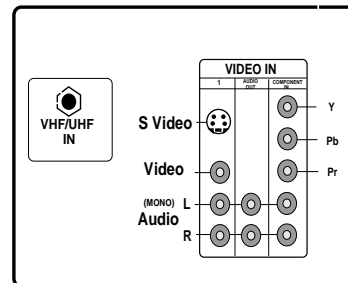
### SIDE VIEW



### TOP VIEW



### JACK PACK



NOTE :  
WHERE THERE ARE CLOSE TOLERANCES INVOLVED IN CABINET BUILDING OR APPLICATIONS WHICH REQUIRE A GREAT DEGREE OF PRECISION WE RECOMMEND THAT THE PRODUCT ITSELF BE USED TO MAKE THE ACTUAL MEASUREMENTS. SONY WILL NOT BE RESPONSIBLE FOR INACCURACIES IN THE DESIGN OR MANUFACTURE OF ENCLOSURES .