

SONY

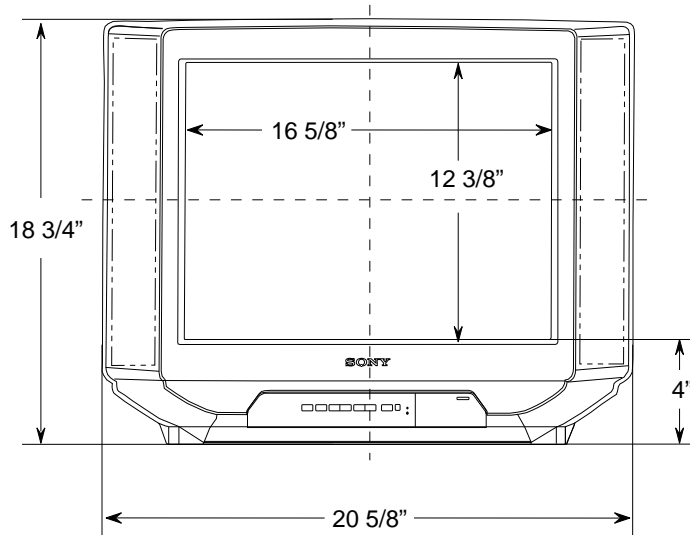
KV-20M42
KV-20S42/43

DESCRIPTION: 20" Trinitron®
DIMENSIONS Monitor/Receiver
(WHD): 20 5/8" x 18 3/4" x 18 7/8"
WEIGHT: 48 lbs

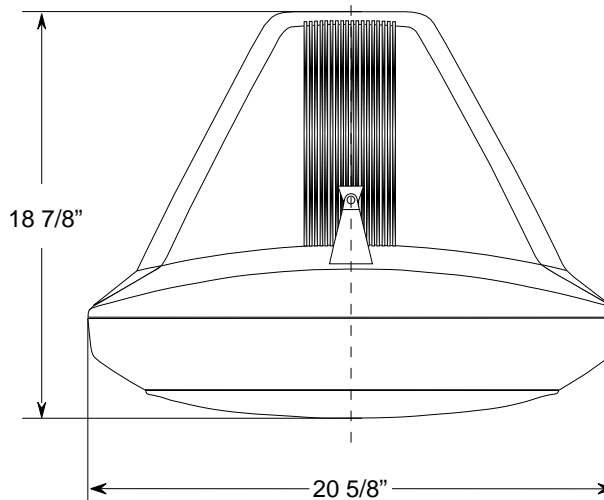
POWER REQUIREMENTS: 120V., 60H
POWER CONSUMPTION: 90w(m), 1w(stb)

1/8 inch = 1 inch Scale 8:1

FRONT VIEW



TOP VIEW



NOTE :

WHERE THERE ARE CLOSE TOLERANCES INVOLVED IN CABINET BUILDING OR APPLICATIONS WHICH REQUIRE A GREAT DEGREE OF PRECISION WE RECOMMEND THAT THE PRODUCT ITSELF BE USED TO MAKE THE ACTUAL MEASUREMENTS. SONY WILL NOT BE RESPONSIBLE FOR INACCURACIES IN THE DESIGN OR MANUFACTURE OF ENCLOSURES .