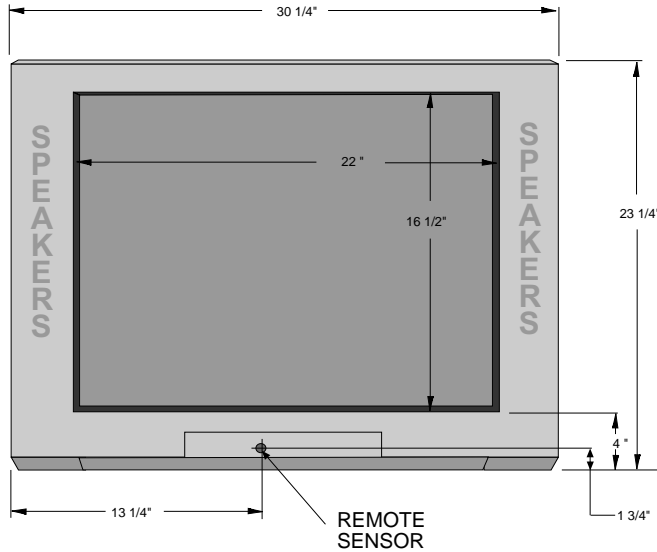


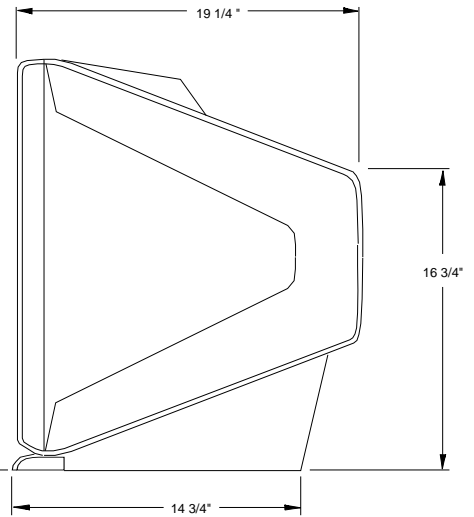
SONY KV-27FS100/200

DESCRIPTION: 27" Wega® POWER
 DIMENSIONS Monitor/Receiver REQUIREMENTS: 120VAC
 (WHD): 30 1/4" x 23 1/4" x 19 5/8" POWER 60Hz
 WEIGHT: 99 lbs 3 oz CONSUMPTION: 220w
 1w(stby)

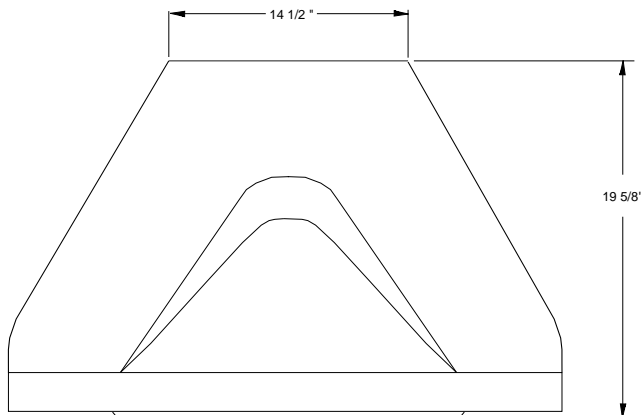
(FS100) RM-Y180 REMOTE
 (FS200) RM-Y181 REMOTE
FRONT VIEW



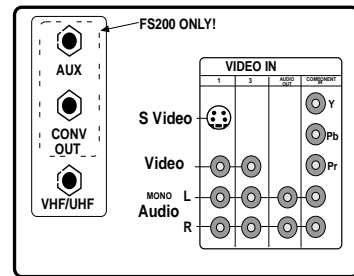
SIDE VIEW



TOP VIEW



JACK PACK



OPTIONAL STAND SU-27FS1

NOTE:
 WHERE THERE ARE CLOSE TOLERANCES INVOLVED IN CABINET BUILDING OR APPLICATIONS WHICH REQUIRE A GREAT DEGREE OF PRECISION WE RECOMMEND THAT THE PRODUCT ITSELF BE USED TO MAKE THE ACTUAL MEASUREMENTS. SONY WILL NOT BE RESPONSIBLE FOR INACCURACIES IN THE DESIGN OR MANUFACTURE OF ENCLOSURES .