

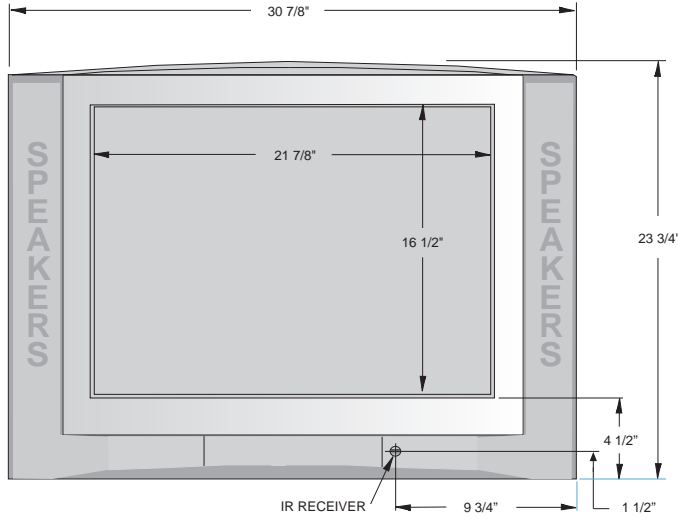
# SONY

## KV-27FS210

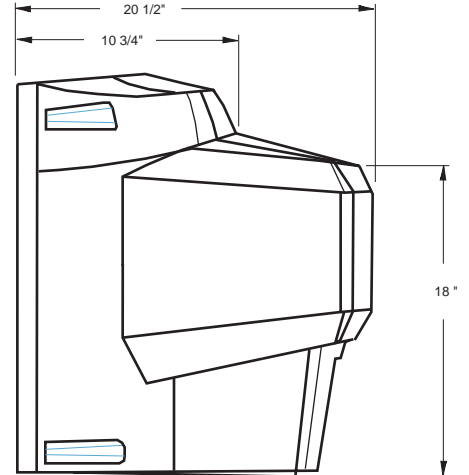
DESCRIPTION: 27" Wega®  
 DIMENSIONS Monitor/Receiver (WHD): 30 7/8" x 23 3/4" x 20 1/2"  
 WEIGHT: 105 lbs 13 oz

POWER REQUIREMENTS: 120VAC 60Hz  
 POWER CONSUMPTION: 185w 1w(stby)

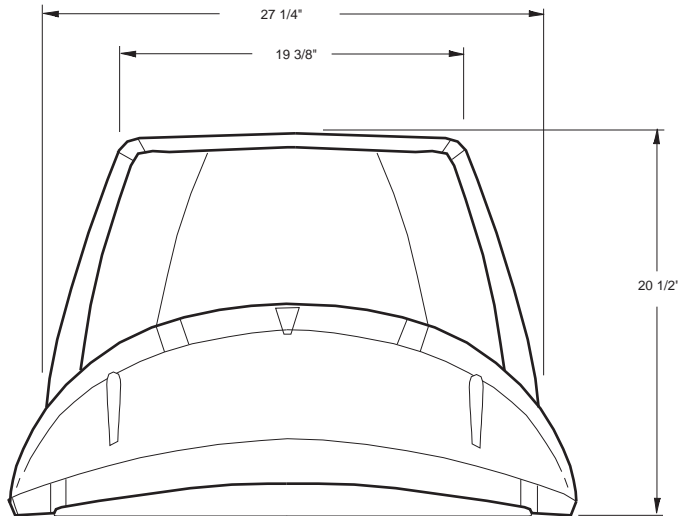
### FRONT VIEW



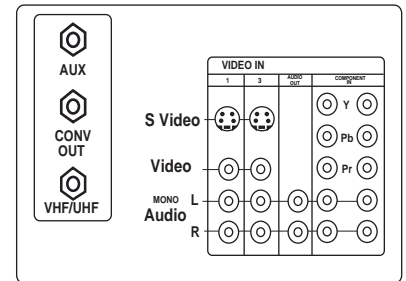
### SIDE VIEW



### TOP VIEW



### JACK PACK



**RM-Y181 SUPPLIED REMOTE**  
**OPTIONAL STAND SU-27F1**  
 (WHD) 32" x 20" x 23"

NOTE:  
 WHERE THERE ARE CLOSE TOLERANCES INVOLVED IN CABINET BUILDING OR APPLICATIONS WHICH REQUIRE A GREAT DEGREE OF PRECISION WE RECOMMEND THAT THE PRODUCT ITSELF BE USED TO MAKE THE ACTUAL MEASUREMENTS. SONY WILL NOT BE RESPONSIBLE FOR INACCURACIES IN THE DESIGN OR MANUFACTURE OF ENCLOSURES .