

Pre-Release Cut Sheet!

SONY

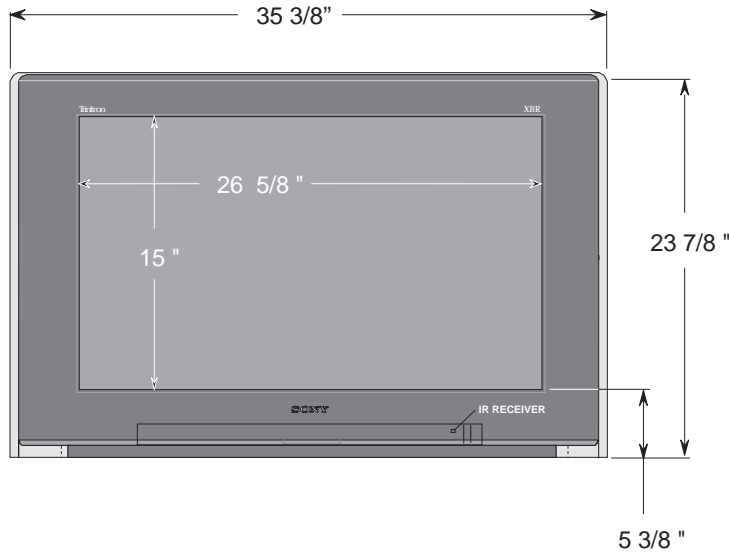
KV-30XBR910

DESCRIPTION: 30" Trinitron®XBR
 DIMENSIONS Monitor/Receiver
 (WHD): 35 3/8" x 23 7/8" x 22 1/4"
 WEIGHT: 152 lbs

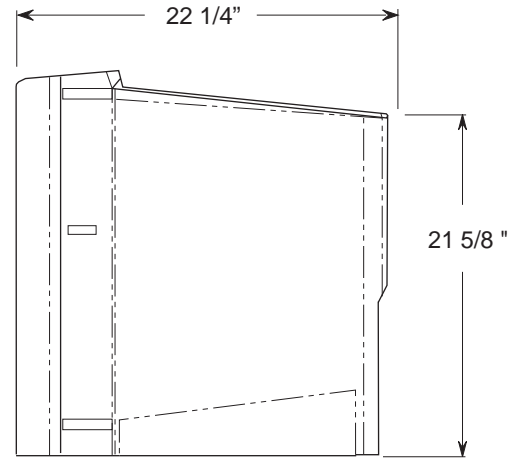
POWER REQUIREMENTS: 120V AC 60Hz
 POWER CONSUMPTION: TBD

RM-Y188 REMOTE CONTROL

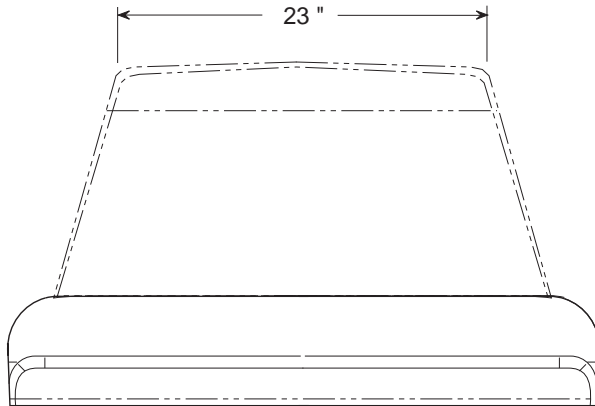
FRONT VIEW



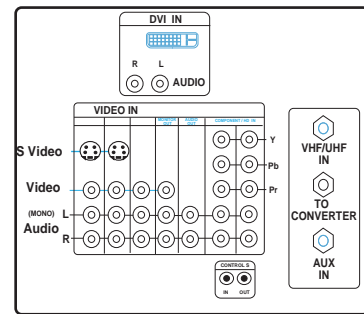
SIDE VIEW



TOP VIEW



JACK PACK



NOTE :

WHERE THERE ARE CLOSE TOLERANCES INVOLVED IN CABINET BUILDING OR APPLICATIONS WHICH REQUIRE A GREAT DEGREE OF PRECISION WE RECOMMEND THAT THE PRODUCT ITSELF BE USED TO MAKE THE ACTUAL MEASUREMENTS. SONY WILL NOT BE RESPONSIBLE FOR INACCURACIES IN THE DESIGN OR MANUFACTURE OF ENCLOSURES .

Consumer Integrated Systems • Park Ridge, New Jersey 07656 • FAX (201) 930 7891 • b2b.sel.sony.com
 Features and specifications subject to change without notice. • Non-metric weights and measurements are approximate.

Pre-Release Cut Sheet!