

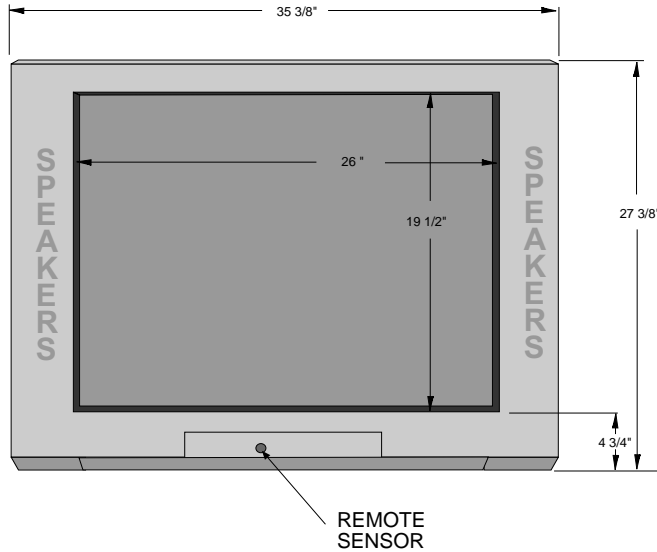
# SONY KV-32FS100/200

DESCRIPTION: 32" Wega®  
 DIMENSIONS: Monitor/Receiver  
 (WHD): 35 3/8" x 27 3/8" x 22 5/8"  
 WEIGHT: 165 lbs 6 oz

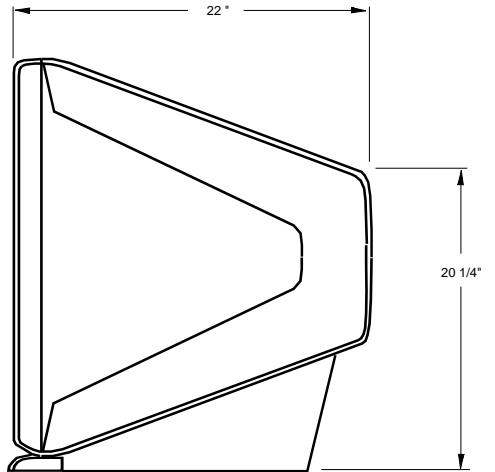
POWER REQUIREMENTS: 120VAC 60Hz  
 POWER CONSUMPTION: 220w 1w(stby)

(FS100) RM-Y180 REMOTE  
 (FS200) RM-Y181 REMOTE

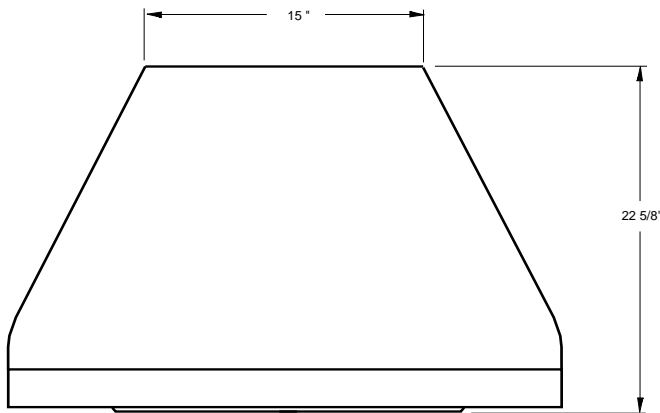
**FRONT VIEW**



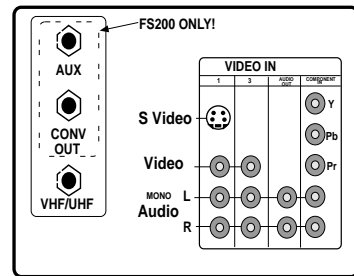
**SIDE VIEW**



**TOP VIEW**



**JACK PACK**



**OPTIONAL STAND SU-32FS1**

NOTE:  
 WHERE THERE ARE CLOSE TOLERANCES INVOLVED IN CABINET BUILDING OR APPLICATIONS WHICH REQUIRE A GREAT DEGREE OF PRECISION WE RECOMMEND THAT THE PRODUCT ITSELF BE USED TO MAKE THE ACTUAL MEASUREMENTS. SONY WILL NOT BE RESPONSIBLE FOR INACCURACIES IN THE DESIGN OR MANUFACTURE OF ENCLOSURES .