

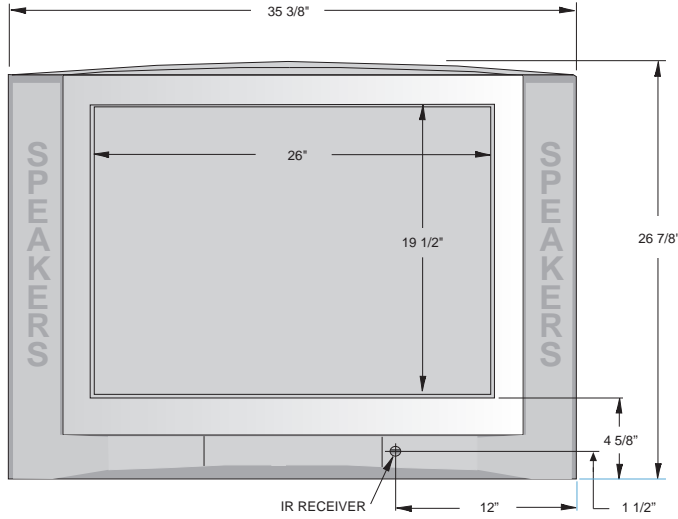
SONY

KV-32FS210

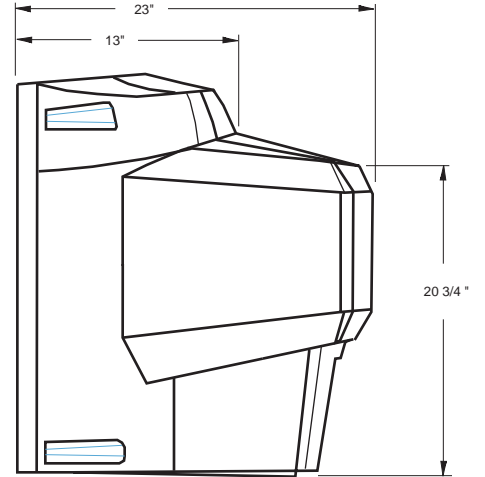
DESCRIPTION: 32" Wega®
 DIMENSIONS Monitor/Receiver
 (WHD): 35 3/8" x 26 7/8" x 23"
 WEIGHT: 171 lbs 15 oz

POWER REQUIREMENTS: 120VAC
 60Hz
 CONSUMPTION: 200w
 1w(stby)

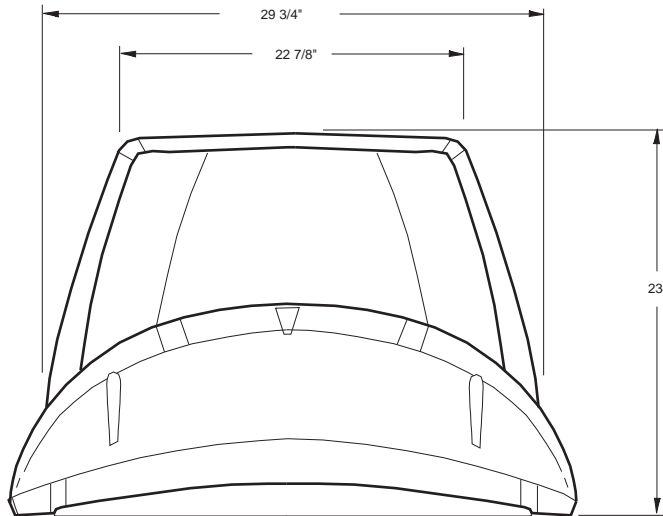
FRONT VIEW



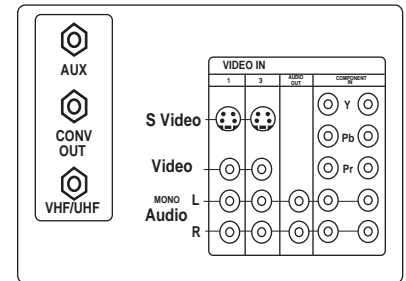
SIDE VIEW



TOP VIEW



JACK PACK



RM-Y181 SUPPLIED REMOTE
OPTIONAL STAND SU-32F1
 (WHD) 36 1/2" x 18 7/8" x 28"

NOTE:
 WHERE THERE ARE CLOSE TOLERANCES INVOLVED IN CABINET BUILDING OR APPLICATIONS WHICH REQUIRE A GREAT DEGREE OF PRECISION WE RECOMMEND THAT THE PRODUCT ITSELF BE USED TO MAKE THE ACTUAL MEASUREMENTS. SONY WILL NOT BE RESPONSIBLE FOR INACCURACIES IN THE DESIGN OR MANUFACTURE OF ENCLOSURES .