

SONY

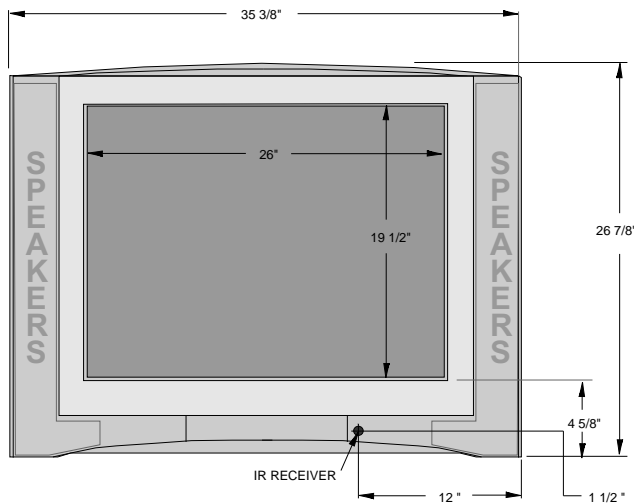
KV-32FV300

DESCRIPTION: 32" Wega®
DIMENSIONS: Monitor/Receiver
(WHD): 35 3/8" x 26 7/8" x 23"
WEIGHT: 171 lbs 15 oz

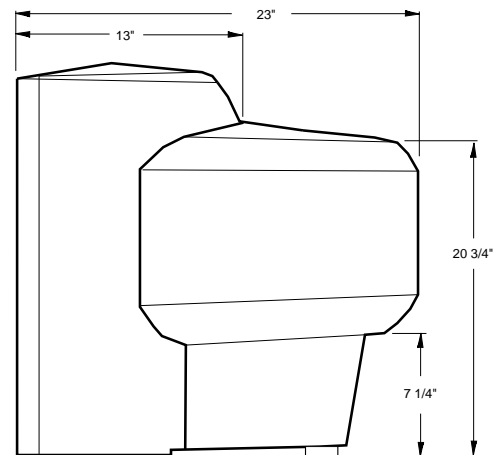
POWER REQUIREMENTS: 120VAC
60Hz
POWER CONSUMPTION: 230w
1w(stby)

RM-Y182 REMOTE CONTROL

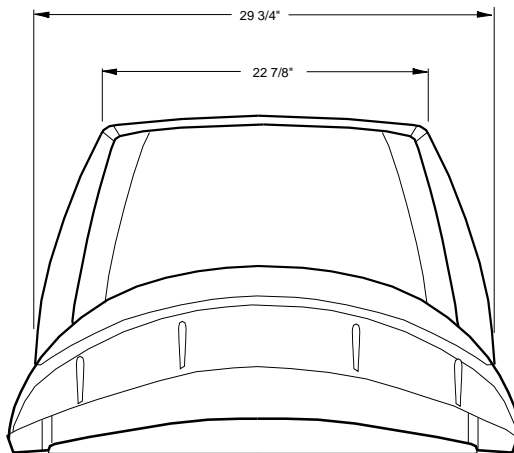
FRONT VIEW



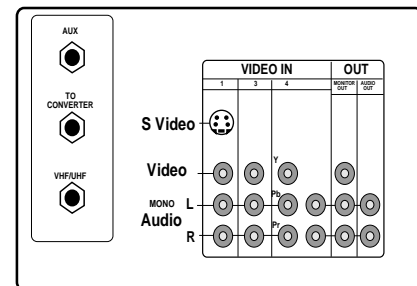
SIDE VIEW



TOP VIEW



JACK PACK



MATCHING TV STAND : SU-32HV1

NOTE :
WHERE THERE ARE CLOSE TOLERANCES INVOLVED IN CABINET BUILDING OR APPLICATIONS WHICH REQUIRE A GREAT DEGREE OF PRECISION WE RECOMMEND THAT THE PRODUCT ITSELF BE USED TO MAKE THE ACTUAL MEASUREMENTS. SONY WILL NOT BE RESPONSIBLE FOR INACCURACIES IN THE DESIGN OR MANUFACTURE OF ENCLOSURES .