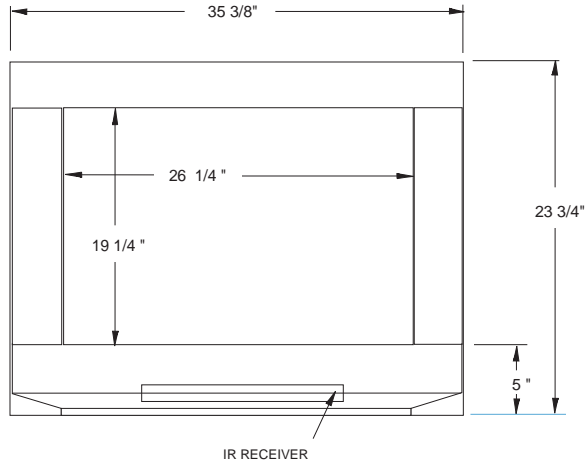


SONY

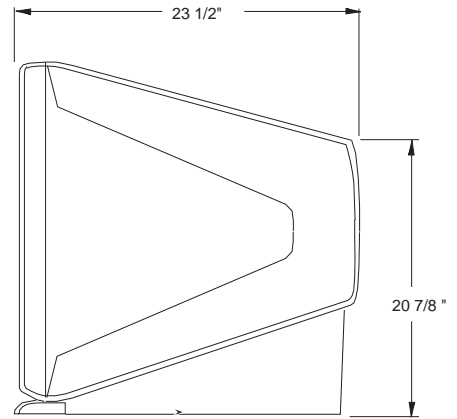
KV-32HS420

DESCRIPTION: 32" Wega® POWER
 DIMENSIONS Monitor/Receiver REQUIREMENTS: 120VAC
 (WHD): 35 3/8 " x 23 3/4 " x 23 1/2 " POWER 60Hz
 WEIGHT: 149 lbs 10 oz CONSUMPTION: 240 w
 1w(stby)

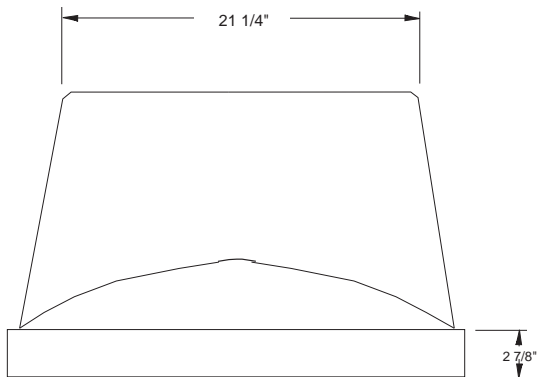
FRONT VIEW



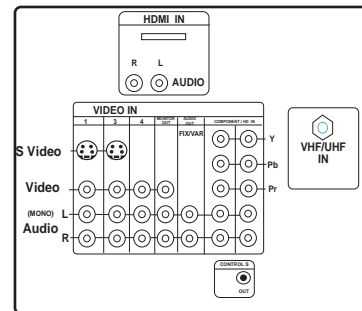
SIDE VIEW



TOP VIEW



JACK PACK



NOTE: This drawing is based on prototype and/or pre-production models, not final product and should be used to estimate space and electrical requirements only!

NOTE :
 WHERE THERE ARE CLOSE TOLERANCES INVOLVED IN CABINET BUILDING OR APPLICATIONS WHICH REQUIRE A GREAT DEGREE OF PRECISION WE RECOMMEND THAT THE PRODUCT ITSELF BE USED TO MAKE THE ACTUAL MEASUREMENTS. SONY WILL NOT BE RESPONSIBLE FOR INACCURACIES IN THE DESIGN OR MANUFACTURE OF ENCLOSURES .