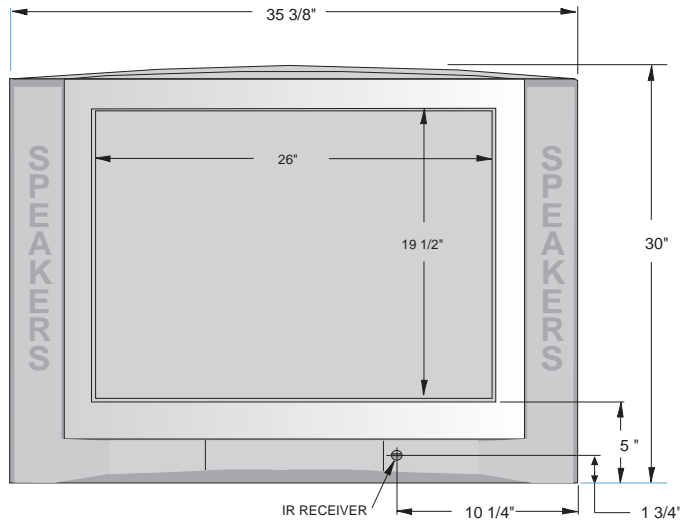
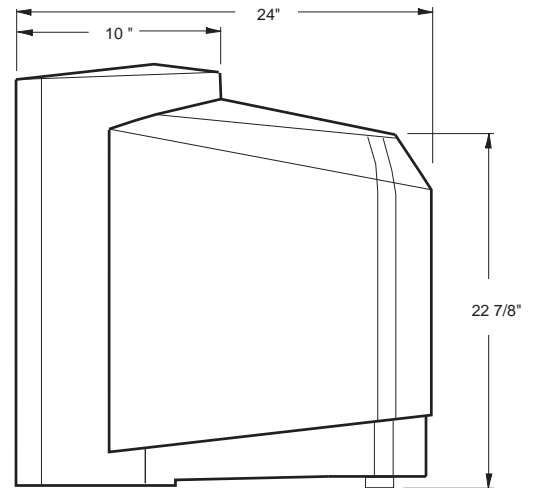
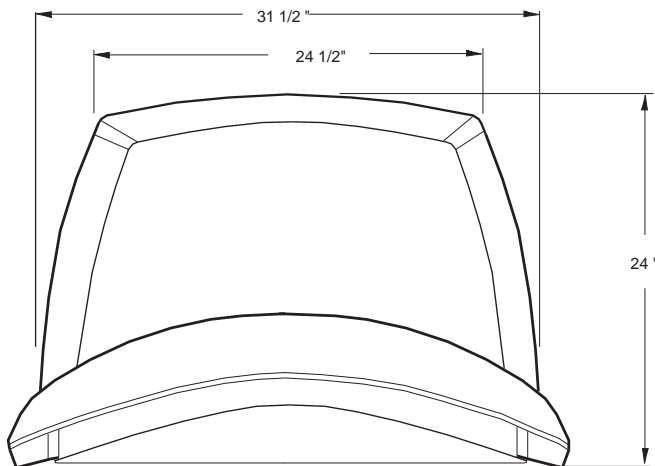
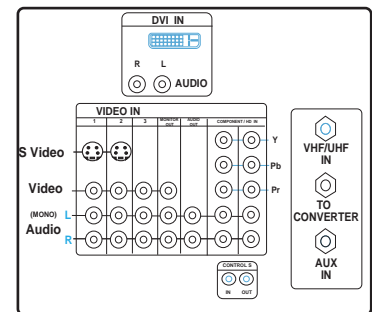


**SONY****KV-32HS510**

DESCRIPTION: 32" Wega®  
 DIMENSIONS Monitor/Receiver  
 (WHD): 35 3/8" x 27 1/8" x 24"  
 WEIGHT: 176 lbs 6 oz

POWER REQUIREMENTS: 120VAC  
 60Hz  
 CONSUMPTION: 280w  
 1w(stby)

**FRONT VIEW****SIDE VIEW****TOP VIEW****JACK PACK**

**RM-Y188 SUPPLIED REMOTE**  
**OPTIONAL STAND SU-32HS1**  
**(WHD) 37 1/4" x 18 1/8" x 28"**

NOTE:  
 WHERE THERE ARE CLOSE TOLERANCES INVOLVED IN CABINET BUILDING OR APPLICATIONS WHICH REQUIRE A GREAT DEGREE OF PRECISION WE RECOMMEND THAT THE PRODUCT ITSELF BE USED TO MAKE THE ACTUAL MEASUREMENTS. SONY WILL NOT BE RESPONSIBLE FOR INACCURACIES IN THE DESIGN OR MANUFACTURE OF ENCLOSURES .